

SIDEWINDER II

INSTALLATION INSTRUCTIONS

052813-003

THIS MANUAL CONTAINS SECTIONS FOR:
SAFETY AND INSTALLATION

READ ENTIRE INSTRUCTIONS BEFORE BEGINNING
INSTALLATION. FOLLOW ALL CAUTIONS,
WARNINGS AND NOTES TO PREVENT INJURY OR
DAMAGE TO AWNING OR VEHICLE.

TOOLS AND SUPPLIES REQUIRED

Drill
1/4" Drill Bit
5/32" Drill Bit
3/16" Drill Bit
3/8" Drill Bit
Putty Tape or Silicone Sealer
5/16" Socket/Nut Driver
1/4" Socket/ Nut Driver

SECTION 1: SAFETY INFORMATION

CAUTION: Means a hazard that may cause minor or moderate injury if the warning is ignored. It also may mean a hazard that will cause damage to property.

CAUTION: CARE MUST BE TAKEN TO ENSURE ALL MOUNTING POINTS ARE ANCHORED FIRMLY INTO A SOLID STRUCTURE.

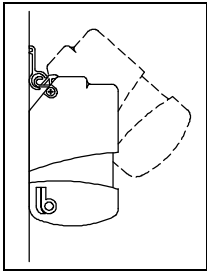
CAUTION: DO NOT DRILL THROUGH INNER WALL OF VEHICLE!

INSTALLATION PREPARATION:

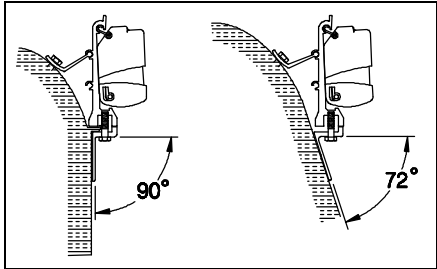
- The SIDEWINDER II has five different methods of installation. Review all methods in step 2 through step 5 and choose the one that best fits your application.
- READ ALL OF THE STEPS OF THAT PARTICULAR METHOD BEFORE BEGINNING INSTALLATION.
- Due to the amount of pressure that is put on the top of the box when the awning is put into the extended position, it is necessary to have any mounting brackets or awning rail fastened to a good solid mounting point on the vehicle. **CAUTION: CARE MUST BE TAKEN TO ENSURE ALL MOUNTING POINTS ARE ANCHORED FIRMLY INTO A SOLID STRUCTURE.**

SECTION II: SIDEWINDER II INSTALLATION

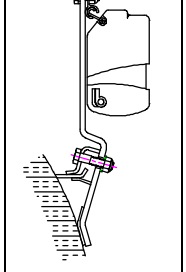
1. INSTALLING WITH AWNING RAIL

- Check vehicle to see if awning rail is installed. If not install one into the roofline structure of the vehicle using rivets or screws. Seal behind rail with putty tape. Apply caulking to screws or rivets to prevent water leakage. **NOTE: AWNING RAIL MUST BE EXTREMELY STRAIGHT TO ACCOMMODATE SIDEWINDER II BOX AWNING.**
- 
- Attach the awning by sliding the case into the rail or tilting the bottom of the case up and allowing the bead to slip into the slot of the rail as shown to the right.
 - Extend awning to full extension. (See operating inst.) Drill a 3/16" pilot hole through the back of the case into the side of the vehicle, one hole at each end.
 - Drill the 3/16" pilot holes out to 1/4".
 - Secure the case to the vehicle using 1/4" x 1" pan head screws.

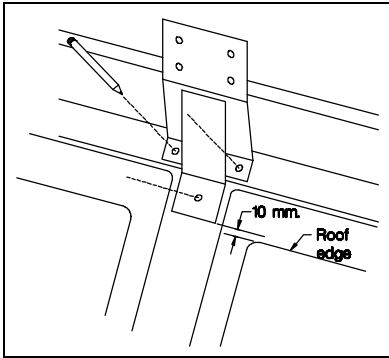
2. VAN ADAPTER BRACKETS

- Attach the van adapter brackets to the drip rail as shown. Choose either the vertical clamp or the oblique clamp to best match the drip rail position.
- 
- Position brackets so they are vertical and so the clamp presses against the body where it contacts the rubber strip. It may be necessary to shift the rubber strip accordingly.
 - Tighten bolts slightly.
 - Slide awning case into brackets.
 - Attach the case to the brackets with the #10 x 3/4" hex head screws provided. **NOTE: CARE SHOULD BE TAKEN WHILE DRILLING IN ORDER TO PREVENT DAMAGE TO THE VEHICLE BODY!**

3. PRE 1993 VW BRACKETS

- Attach the VW adapter brackets to the drip rail as shown.
- 
- Position the brackets so they are vertical and so the clamp presses against the body where it contacts the rubber strip.
 - Tighten bolts slightly.
 - Slide case into brackets.
 - Attach the case to the brackets with the #10 x 3/4" hex head screws provided.

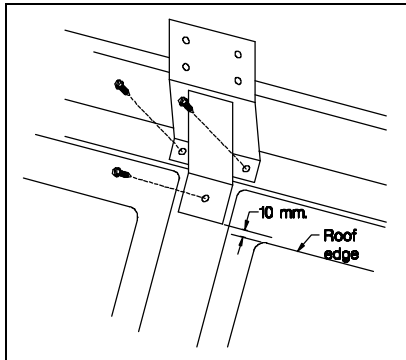
4. VW BRACKETS (1993 & NEWER)

- Attach small awning rail sections to the top holes of brackets with the slotted pan head screws, washers and lock nuts provided.
- 
- Position the brackets as shown. The underside of the bracket has to be placed 10mm above the roof edge. **NOTE: THE FRONT BRACKET MUST BE POSITIONED ON THE DOOR POST BETWEEN THE SLIDING DOOR AND THE FRONT PASSENGER DOOR. MAKE SURE AND POSITION IT SUCH THAT IT DOES NOT INTERFERE WITH DOOR OPERATION! POSITION BACK BRACKET JUST BEHIND THE REAR SIDE WINDOW.**
 - Mark the mounting holes as shown above.
 - Drill a 1/8" pilot hole in the three previously marked locations.
 - Drill the 1/8" pilot holes out to 3/8" holes.
 - Place a jacknut in each of the three 3/8" holes.

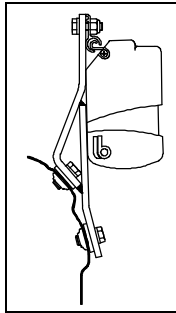
4. VW BRACKETS (1993 & NEWER) (cont.)

- G. Drill a 1/4" hole in each of the supplied rubber plates.
- H. Remove the paper backing from the rubber plates. Line up the holes with those in the brackets and stick the rubber plates to the back of the brackets.
- I. Position brackets over holes and thread the M6 x 25 bolts into jacknuts. Tighten until snug using a 10mm socket.

NOTE: IF THE JACKNUTS TURN LOOSE, BACK BOLTS OUT AND PLACE A SERRATED LOCK WASHER BETWEEN THE JACKNUTS AND THE BRACKETS INSTEAD OF THE RUBBER PLATES AND TIGHTEN DOWN. ONCE TIGHT, REMOVE BRACKET AND REINSTALL USING THE RUBBER PLATES.

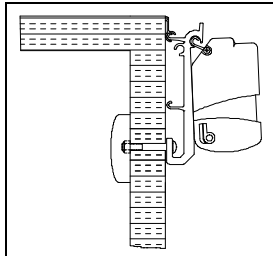


- J. Slide the awning case onto the brackets.
- K. Drill through the lower part of the back of the case from the inside and into each mounting bracket. Attach the case to the brackets with the (2) #10 x 5/8" Phillips head screws.

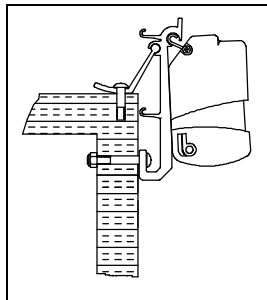


5. ROOF MOUNT BRACKETS

- A. For applications where the top of the awning case can be mounted approximately roof height, bolt bracket through wall and into roof as shown.



- B. For applications where the case needs to sit above the roof line in order to provide clearance for lights, doors, etc., bolt bracket through the wall and into the roof as shown.



6. BOTTOM BRACKET INSTALLATION

NOTE: CARE MUST BE TAKEN TO ENSURE BOTTOM BRACKETS ARE ANCHORED FIRMLY INTO A SOLID STRUCTURE!

- A. Open the awning by pressing on the locks on the right and left hand sides of the awning housing cover. Unroll to full extension.
- B. Unlock the secondary support arms and stand them on the ground. (See operating instructions)
- C. Release the upper braces. (See operating instructions) Place the slot in the end of the upper braces over the hook portion of the top brackets located in the corners of the case. Pull braces outward and tension fabric.
- D. Align the bottom brackets so they are in a diagonal position in line with the secondary support arm. The bracket must be positioned as shown. NOTE: IDEAL MOUNTING POSITION IS 30" TO 38" BELOW THE BOTTOM OF THE AWNING CASE.
- E. Drill (2) 5/32" holes and mount bracket using the 3/4" Phillips head screws provided.

