



OWNER'S MANUAL

OUTBACK AWNING AND ROOM

THIS BOOK CONTAINS ORIGINAL INSTALLATION AND SETUP

RV

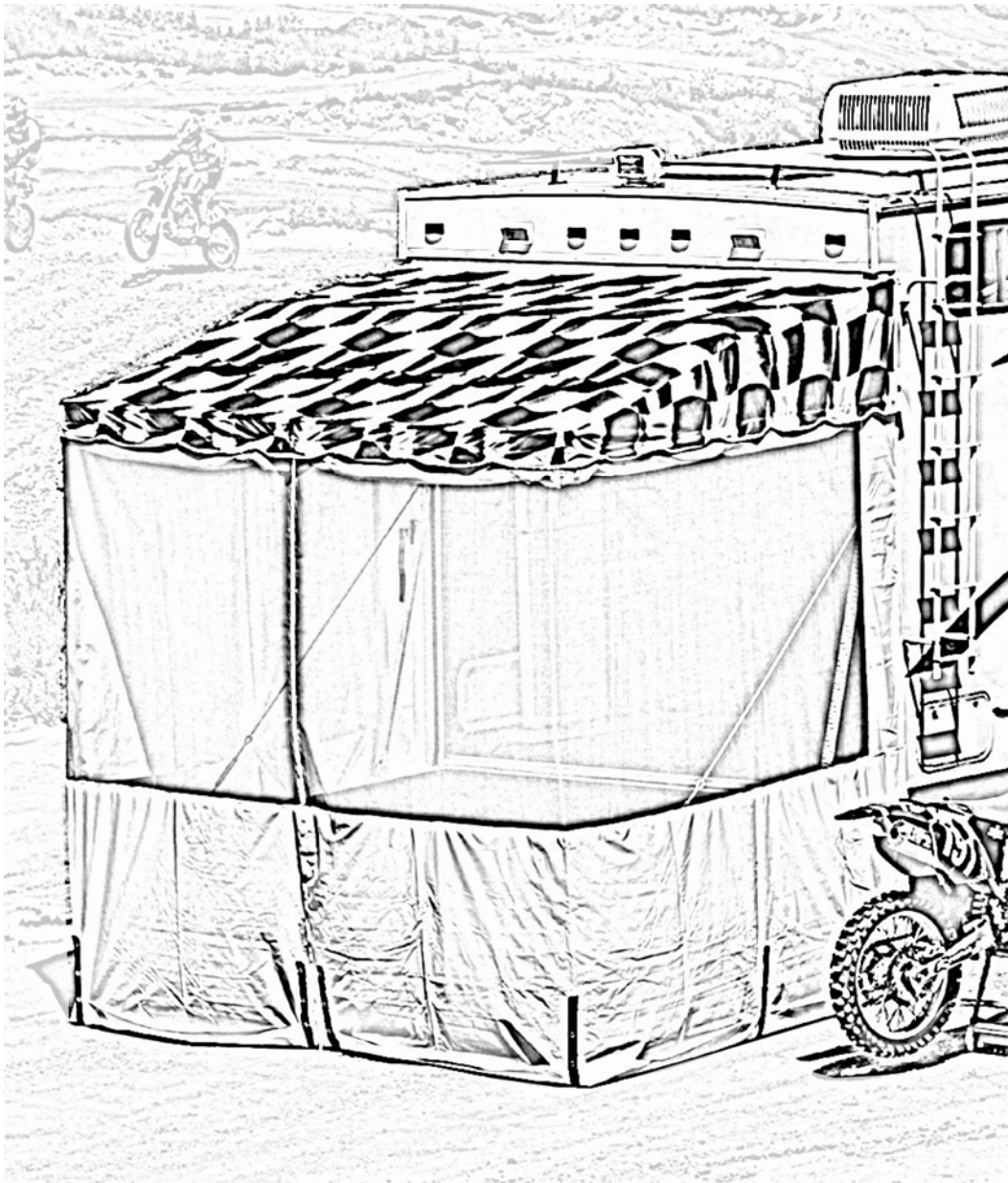


TABLE OF CONTENTS

Installing the Outback Awning	1
Installing the Awning Rail and Zipper Insert	1
Mounting the Arms.....	1
Setting Up the Awning	3
Installing the Outback Room	4
Installing the Leveling Cables	4
Setting Up the Room	5
Storing the Room Panels.....	6
Standard Maintenance	6
Fabric Care	6
Mildew	6
Pooling	6
Illustrated Parts List	8
Limited Warranty	10

SAFETY INFORMATION

WARNING

A WARNING INDICATES A POTENTIALLY HAZARDOUS SITUATION WHICH, IF NOT AVOIDED, COULD RESULT IN DEATH OR SERIOUS INJURY AND/OR MAJOR PROPERTY DAMAGE.

CAUTION

A CAUTION INDICATES A POTENTIALLY HAZARDOUS SITUATION THAT MAY CAUSE MINOR TO MODERATE PERSONAL INJURY AND/OR PROPERTY DAMAGE. IT MAY ALSO BE USED TO ALERT AGAINST UNSAFE PRACTICES.

NOTE: A note indicates further information about a product, part, or step.

Tip: A tip provides helpful suggestions.

Safety Notes:

- Always disconnect battery or power source before working on or around the electrical system.
- Always wear appropriate safety equipment (i.e. goggles).
- Always use appropriate lifting devices and/or helpers when lifting or holding heavy objects.
- When using fasteners, use care to not over tighten. Soft materials such as fiberglass and aluminum can be "stripped out" and lose the ability to grip and hold.

INSTALLING THE OUTBACK AWNING

INSTALLING THE AWNING RAIL AND ZIPPER INSERT

If an awning rail is already installed, check that the awning rail runs the full length of the awning and that the arm mounting brackets can be installed as described in the "Mounting the Arms" on page 1.

1. (Detail A) For flat surface installations: Mark the position of the awning rail centerline approximately 6" above the door opening. Ensure that the rail is parallel with the floor line.
2. (Detail B) For surfaces with an overhang: Position the rail directly below the overhang. Confirm that the centerline of the rail is a minimum of 1" above the door. Orient the awning rail as shown. Check that the awning rail does not interfere with the operation of the door. It is acceptable that the door seal overlaps the flat portion of the rail.
3. Seal the back of the rail with silicone sealant or putty tape.
4. Align the awning rail onto the wall and secure with #10 x 3/4 screws. Use all the screws provided.
5. use a screwdriver to spread open one end of the awning rail on the installation side.
6. File any sharp edges or burrs from the end of the rail.
7. Spray inside the awning rail track with a dry silicone lubricant. This will aid in sliding the zipper insert into the rail.
8. Slide the zipper insert into the awning rail with the zipper teeth pointing down.
9. Center the insert in the rail and secure on each end with a #6 x 3/8 screw. Ensure that the screw goes through the awning rail, fabric and polycord. Detail D shows the screw through the top but the screw can be used from the bottom of the rail.

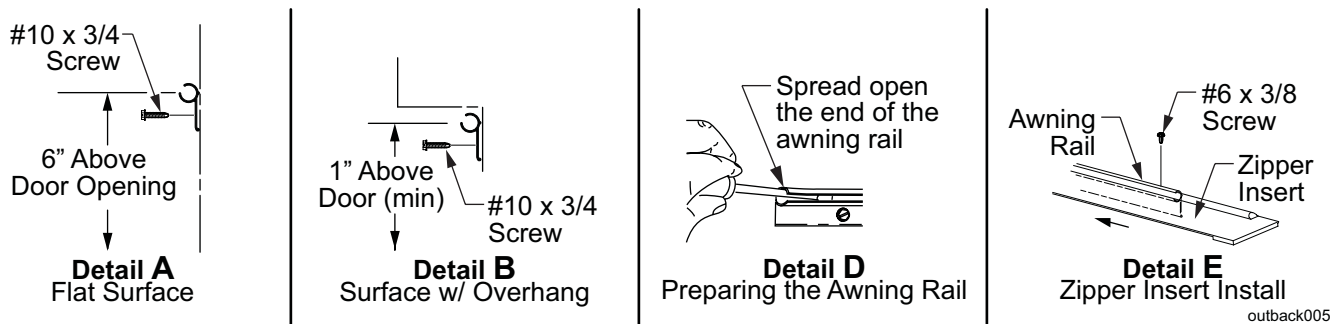


Figure 1. Installing the Awning Rail and Insert.

MOUNTING THE ARMS

(Refer to Figure 2 on page 2)

1. Separate and identify the upper and lower arm mounting brackets. Note the position of the bracket stud as shown in Figure 2 on page 2.
2. For installations with the awning rail mounted on a flat surface (Detail A): Position the upper bracket so that the stud is 1/2" below the centerline of the awning rail. If necessary the position may be adjusted downward to a maximum of 2".
3. For installations with the awning rail mounted under the overhang (Detail B): DO NOT mount the brackets on the overhang. Position the top bracket immediately below the overhang as shown.
4. Attach the upper bracket using four (4) #12 x 1 1/4 self drilling screws.
5. (Detail A) Measure 20" down from the top bracket. This is the position of the lower bracket.
6. Attach the lower bracket using four (4) #12 x 1 1/4 self drilling screws.
7. Repeat steps 2 thru 6 for the other side. The brackets must be in line from side to side.

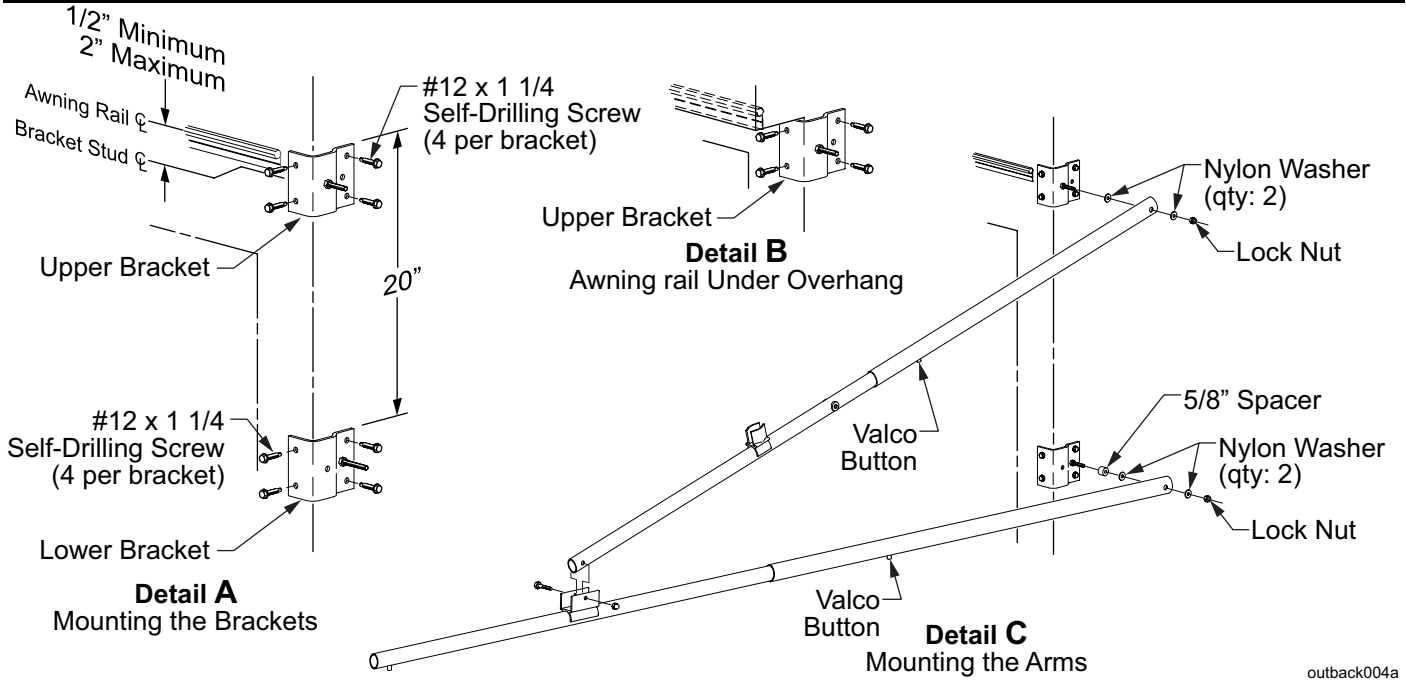


Figure 2. Mounting the Arms.

8. Attach the upper and lower arm assemblies together using the screw and nut provided in the stirrup fitting of the lower arm.
9. Lift the arm assembly up and attach the upper arm on the upper mounting bracket stud using two (2) of the flat nylon washers and one 1/4-20 lock nut.
10. Attach the lower arm assembly to the lower mounting bracket stud using one 5/8" spacer, two (2) flat nylon washers and one 1/4-20 lock nut.
11. Press the upper arm valco button and allow the arm to slide together to the stow position.

CAUTION

THE UPPER ARM IS SPRING LOADED. WHEN THE VALCO BUTTON IS PRESSED THE INNER TUBE WILL SLIDE IN ON ITS OWN. FIRMLY HOLD THE INNER TUBE TO PREVENT THE TUBE FROM SLIDING UNEXPECTEDLY.

12. Press in the Valco button of the lower arm so that the tubes can slide together. This will cause the arm to rotate down.
13. On the end of the arm, attach the storage bracket using the spring pin.
14. Rotate the arm down and along the wall. Mark the location of the bracket on the wall.
15. Remove the arm from the bracket and attach the bracket in the position marked previously. Attach using two (2) #12 x 1 1/4 self drilling screws.

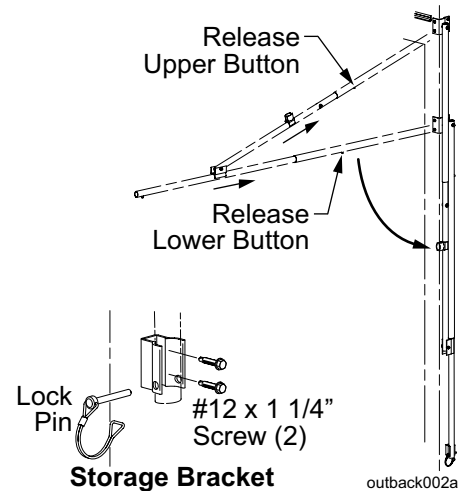
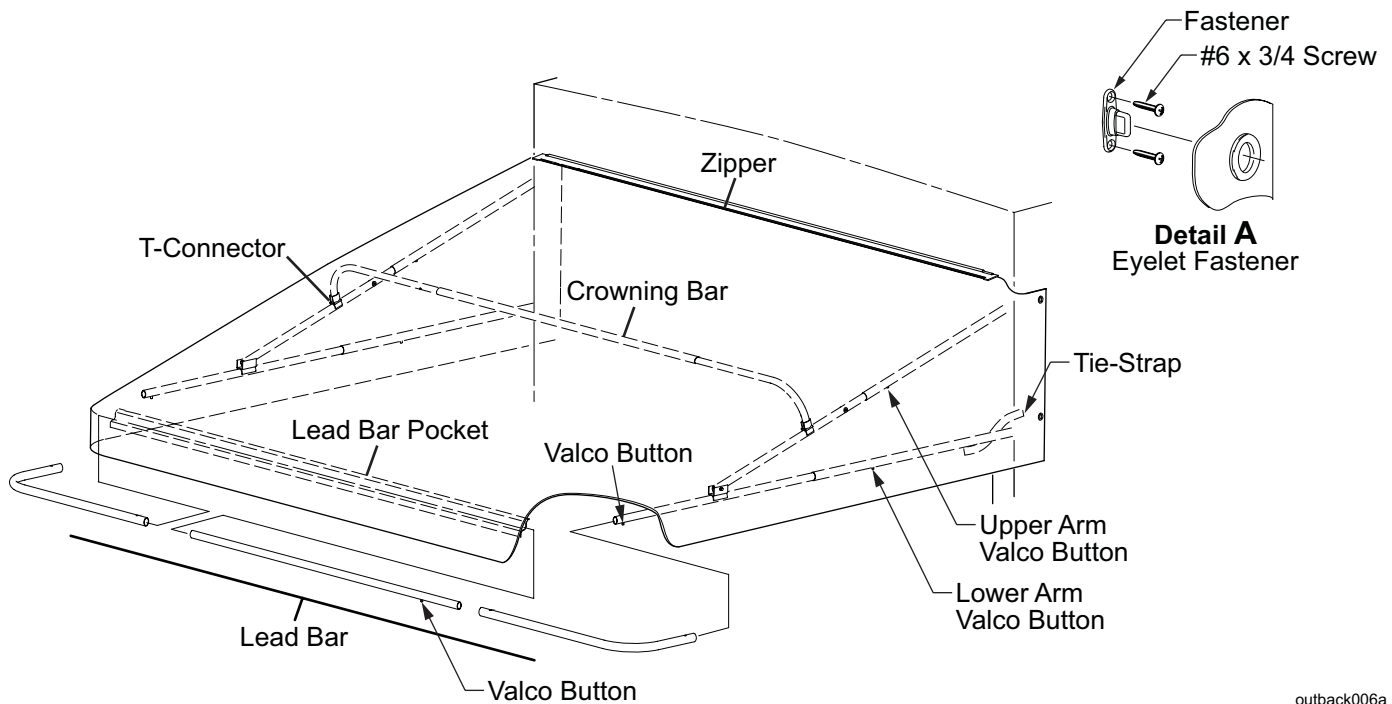


Figure 3. Storage Bracket.

SETTING UP THE AWNING



outback006a

1. Release the arms from the storage brackets. Do not lift into place at this time.
 2. Unfold the canopy on the ramp door (if open) or the ground.
 3. Slide the center tube onto one of the end tubes until the valco button snaps into place.
 4. Slide the center tube of the lead bar into the lead bar pocket located on the inside of the front edge of the canopy.
 5. Slide the second curved end tube of the lead bar into the center tube until it stops.
 6. Slide the ends of the lead bar into the lower arms until the Valco buttons, in the arms, snap into position.
 7. Lift the zipper edge of the canopy over the arms and zip to the zipper insert in the awning rail.
 8. Assemble the 3 pieces of the crowning bar.
 9. Insert the crowning bar between the canopy and arms and into the T-connectors.
 10. Lift the lead bar up until the lower arm Valco buttons snap into position.
 11. Smooth the canopy over the frame.
 12. Tension the fabric pulling down on the upper arm until the Valco buttons snap into the hole.
 13. Hook the side eyelets over the twist fasteners on the side of the RV.
- NOTE: For first time setup, mark the location of the eyelets; coat the back of the twist fasteners with a quality silicone sealant and attach with the screws provided (refer to Detail A).**
14. Straps located inside the awning are used to secure the canopy to the lower arm.

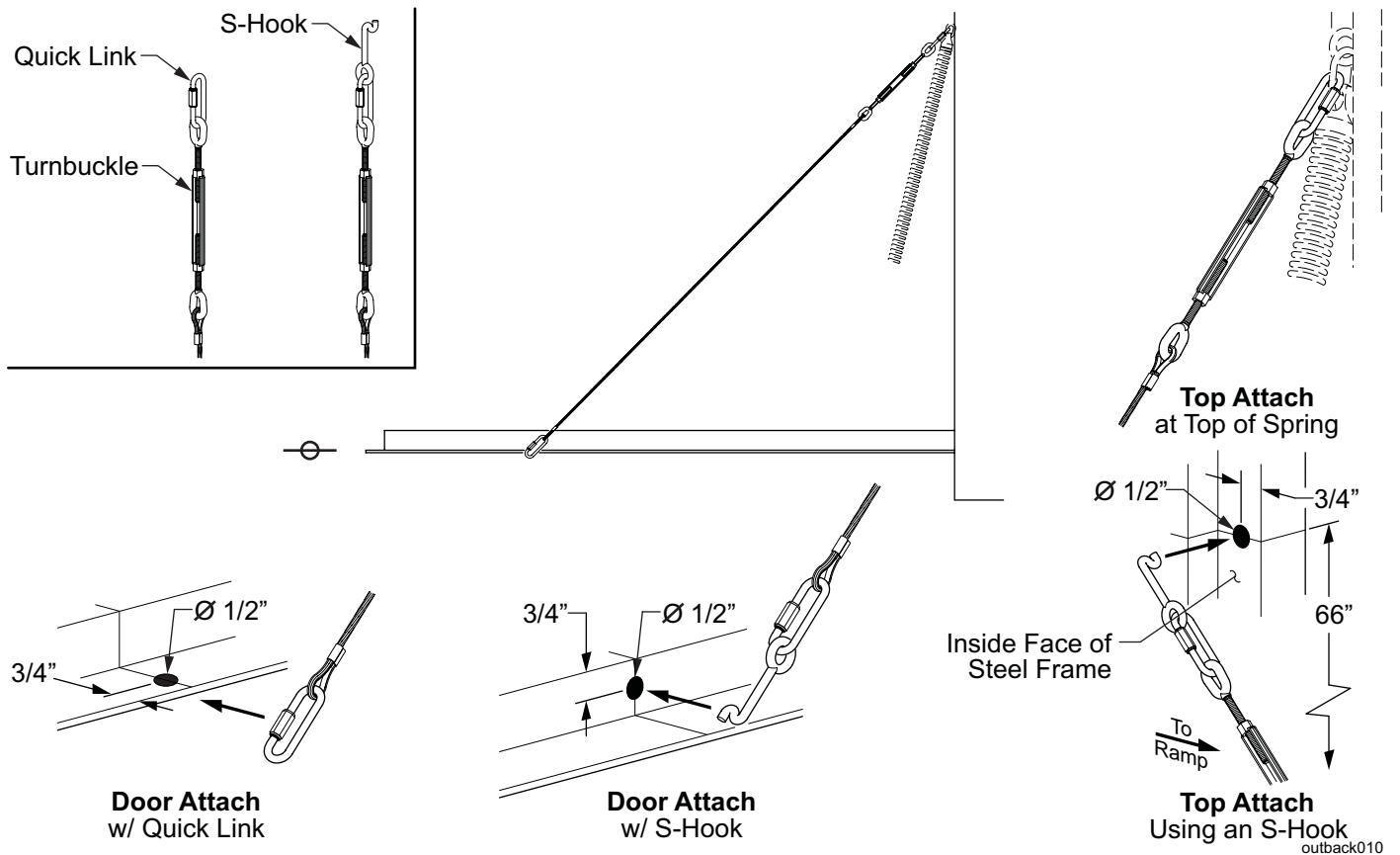
INSTALLING THE OUTBACK ROOM

INSTALLING THE LEVELING CABLES

Two methods of attaching the cables are available for the user.

- *Method 1:* A quick release link is included on each end of the cable. To use, unscrew the hex nut and slip the link over the attach point then tighten the hex nut.
- *Method 2:* S-Hooks are provided. Attach the S-Hook to the quick release link then use the hook at the attach point to secure the cable.

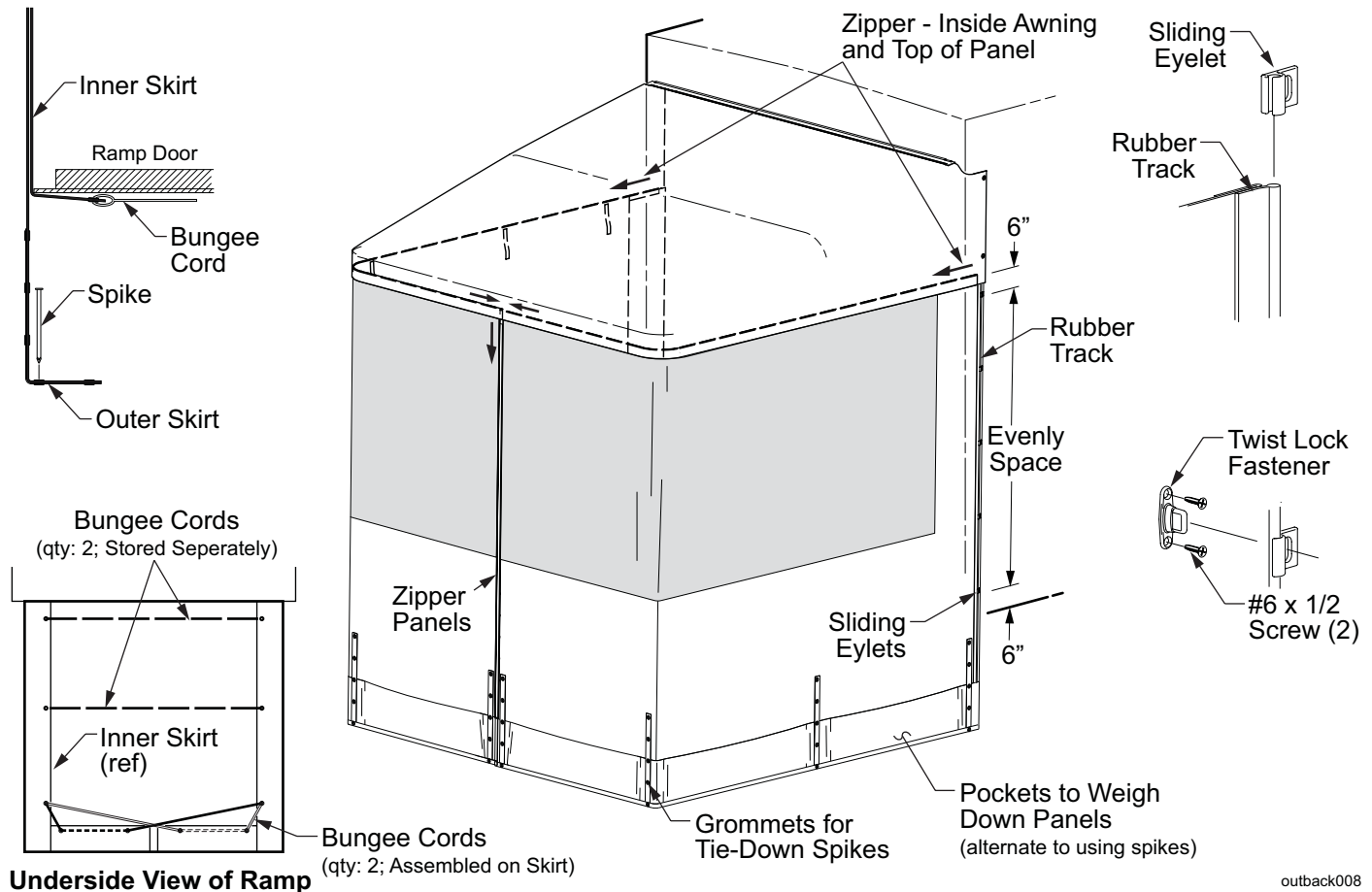
NOTE: Some instructions require drilling into the RV surface. Always clean and deburr the hole and paint the exposed metal surfaces before continuing.



1. Lower the ramp door and level. It may be necessary to use blocks or stands to temporarily hold the door level.
2. Attach the cable to the room side:
 - *Method 1:* Attach the quick link to the top of the spring or a cable attachment tab provided by the manufacturer.
 - *Method 2:* Measure 66" up the ramp frame and drill a 1/2" hole into the inside face of the steel frame. Using an S-hook attach the cable in the new hole.
3. Twist the turnbuckle until the eyebolts are extended approximately 1/2 the length of the threads.
4. Attach the cable to the ramp door:
 - Holding the cable taunt, swing the cable out toward the end of the door and mark the location where the cable end meets the edge of the door. If using an S-hook, make sure that the hook is attached to the cable before measuring.
 - *Method 1:* If attaching using the quick link, measure and drill a 1/2" hole through the door flange. Attach the quick link through the hole.
 - *Method 2:* If attaching using an S-Hook, measure and drill a 1/2" hole through the side of the door. Attach the S-hook in the hole.
5. Repeat steps 2 through 4 on the other side of the door.
6. Use the turnbuckles to level the door. The supports from step 1 can be removed.

SETTING UP THE ROOM

It is necessary to have the Outback Awning set up to be able to install the room panels. If not done, refer to page 3, "Setting Up the Awning".



outback008

Figure 4. Setting Up the Room.

1. Unfold the side panels and determine which is the driver's side and which is the passenger side. The illustrations show the screen panels to the outside and the privacy panels to the inside.
2. Lift one panel and, starting next to trailer, zip one panel to the inside of the awning.
3. Repeat for the other side.
4. Zip the two panels together at the center.
5. For first time installations:
 - Locate and remove the bag of sliding eyelets. These are generally sewn into the bottom seam of the driver's side panel.
 - Slide five of the sliding eyelets onto each of the rubber tracks located on the panels next to the trailer. Position the top one approximately 6" from the top of the track. Position the bottom one approximately 6" from the bottom of the track or bottom of the trailer. Evenly space the center eyelets.

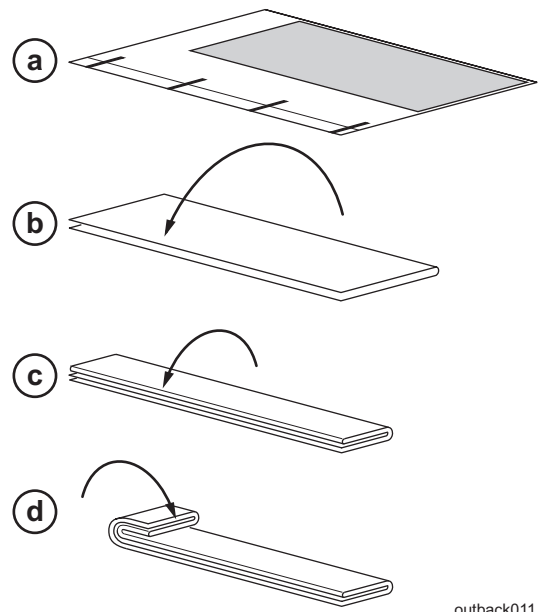
NOTE: Adjust the position of the eyelets as required to avoid windows or other obstacles.

 - Starting at the top, smooth the panel next to the trailer and mark the location of the 1st eyelet hole. Coat the bottom of a twist fastener with a quality silicone sealant then position the fastener at the mark and attach using two #6 x 1/2 flat head screws. Attach the eyelet to the twist lock fastener and repeat for the next eyelet until all the eyelets and fasteners are installed.

Tip: Using the fastener as a template, drill two 7/64" pilot holes for the attach screws.
6. Under the ramp door, fold the inner skirt under and secure with the supplied bungee cords.
7. Secure the outer skirt using the supplied spikes. As an alternate method, place weights in the pockets at the bottom of the panels.

STORING THE ROOM PANELS

1. Ensure that the privacy panels are down and secured.
2. Remove the spikes or weights holding the outer skirt and store.
3. Remove or disconnect the bungee cables holding the inner skirt.
4. Remove the eyelets from the twist lock fasteners on the side of the trailer.
5. Unzip the two room halves.
6. Unzip the panels from the awning.
7. Fold the panels:
 - a) Lay the panels flat with the screen panel facing up.
 - b) Fold the top over and down to the bottom edge.
 - c) Fold in half again
 - d) Starting on one end, fold the panel in approximately 12" segments.
 - e) Store the panels in the storage bag.



outback011

Figure 5. Folding the Wall Panels.

STANDARD MAINTENANCE

Maintaining the Outback Awning and Room is easy. Just follow these basic steps:

- Always set up the awning and room according to the instructions.
- Periodically check that the fasteners are tight. Tighten if necessary.
- Keep the fabric and arms clean.

FABRIC CARE

⚠ CAUTION

DO NOT USE OIL BASED CLEANERS OR ANY CAUSTIC, GRANULATED, OR ABRASIVE TYPE CLEANERS.

1. One of the best ways to keep the fabric looking good and to delay the need for deep or vigorous cleanings is to hose fabrics off on a monthly basis with clear water. This practice will help prevent dirt from becoming deeply imbedded in the fabric. In most environments, a thorough cleaning will be needed every two to three years.
2. When it's time for a thorough cleaning, the fabric can be cleaned while still on the awning frame. Use a soft brush and warm water with soap.
3. When cleaning the fabric, it is important to observe the following:
 - Always use a natural soap, never detergent.
 - Water should be cold to lukewarm, never more than 100°F.
 - Air-dry only. Never apply heat to the fabric.
 - Always allow the fabric to dry thoroughly before folding and storing.

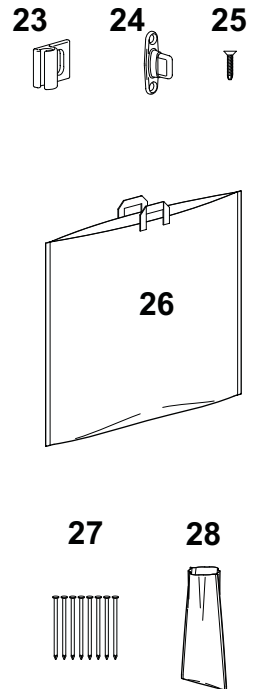
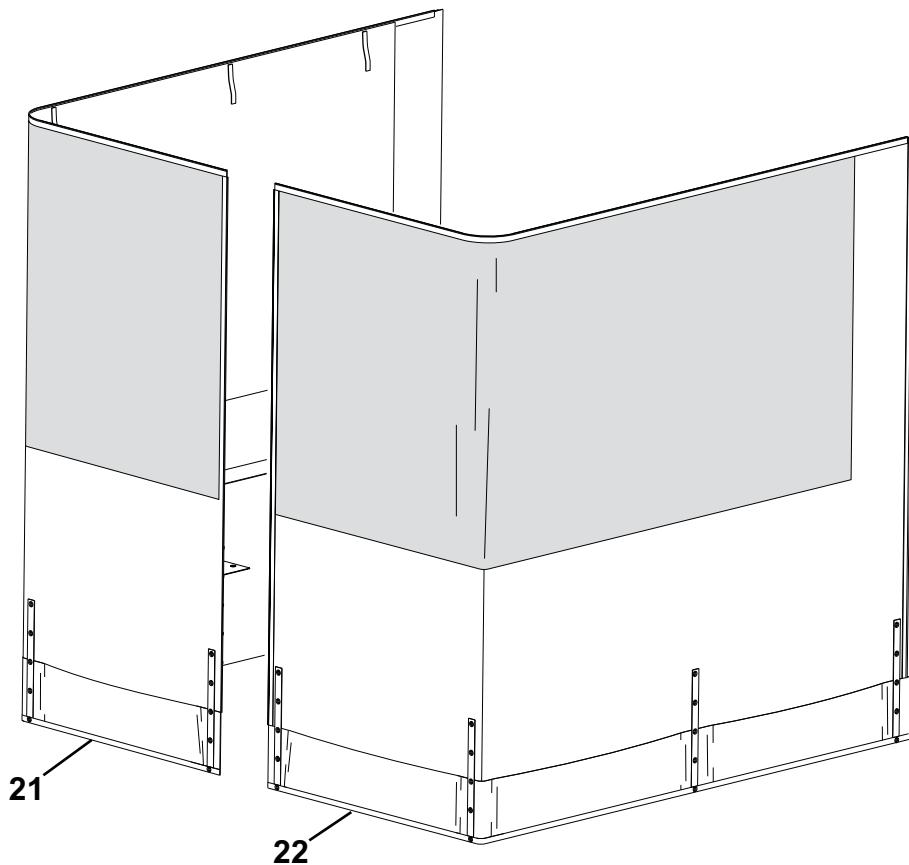
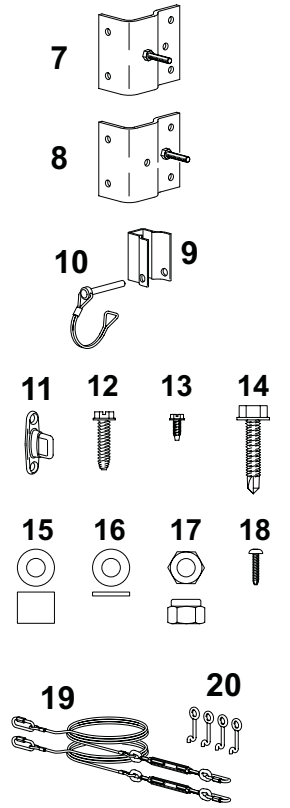
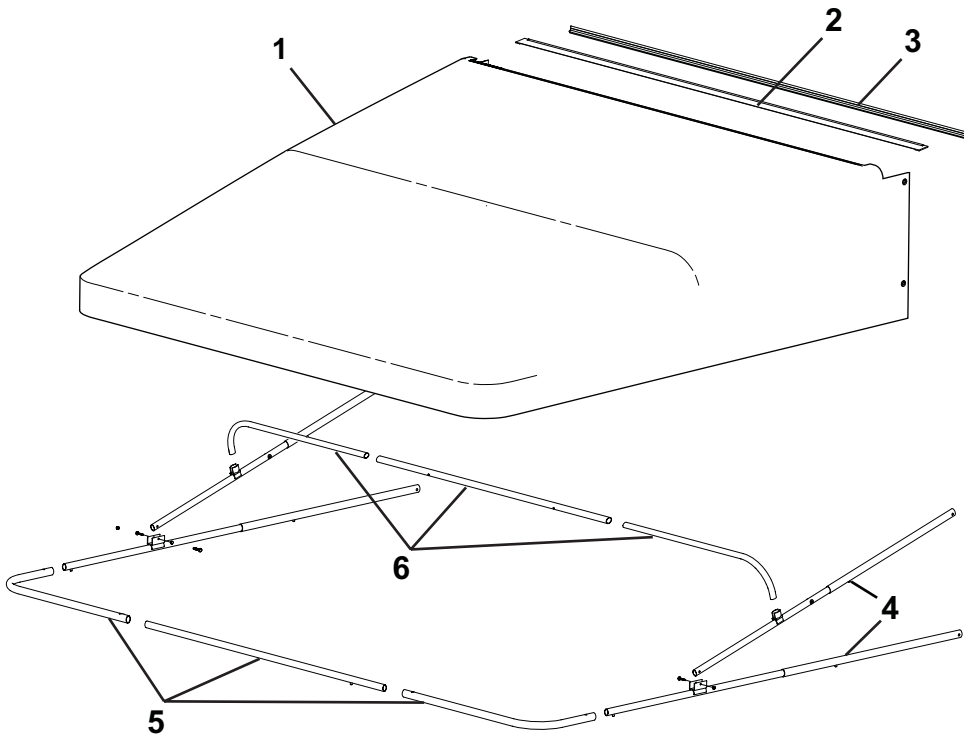
Mildew

Mildew is a fungus growth that looks like dirt. Vinyl coated polyester fabrics are mildew resistant because of a chemical biocide in the vinyl coating. Under ordinary conditions, mildew will not appear. However, in areas where high temperature and humidity are common, mildew can be a problem and required the material to be washed more frequently. Thoroughly rinse the fabric with clean water and allow to air dry completely before folding and storing.

Pooling

When water collects on the top of the fabric, this is known as "pooling". This can occur during inclement weather or if a running air conditioner discharges over the awning. It is recommended that if water accumulates on the top, briefly lift the fabric from the inside to dump the water. Do not use any sharp objects that could cut, tear or damage the fabric. This will help prevent damage to the fabric from stretching or distorting.

ILLUSTRATED PARTS LIST



outback502a

Item	Part Number	Description	QTY	Notes	<input checked="" type="checkbox"/>
OUTBACK AWNING w/ OVAL TUBE FRAME					
1	R834541	Canopy Fits Canopy Assy:			<input type="checkbox"/>
	-01Nx	ZN0101	1		
	-02Nx	ZN0102	1		
	-03Nx	ZN0103	1		
	-04Nx	ZN0104	1		
	-05Nx	ZN0105	1		
	-06Nx	ZN0106	1		
2	R834548	Zipper Insert Fits Canopy Assy	1		<input type="checkbox"/>
	-01	ZN0101, ZN0102, ZN0103			
	-02	ZN0104, ZN0105, ZN0106			
3	0157nn	Awning Rail	1	2	<input type="checkbox"/>
4	ZN0003	Arm Assy Fits Canopy Assy			
	-01N	ZN0101, ZN0104			
	-02N	ZN0102, ZN0105			
	-03N	ZN0103, ZN0106			
5	ZN0005N	Lead Bar Assy	1		<input type="checkbox"/>
6	ZN0004N	Crowning Bar Assy	1		<input type="checkbox"/>
7	ZN0006	Upper Mounting Bracket w/ mounting hardware	2	2	<input type="checkbox"/>
8	ZN0007	Lower Mounting Bracket w/ mounting hardware	2	2	<input type="checkbox"/>
9	ZN0008	Lower Securing Bracket w/ mounting hardware and Pin	2	2	<input type="checkbox"/>
10	840420	Pin w/ Spring Clip	2	2	<input type="checkbox"/>
11	901036	Twist Fastener	4		<input type="checkbox"/>
12		Screw, HWHC #10 x 3/4	24		<input type="checkbox"/>
13		Screw, HWHC #6 x 3/8	2		<input type="checkbox"/>
14		Screw, Self Drilling #12 x 1 1/4	20		<input type="checkbox"/>
15		Spacer 1/4 ID x 5/8 Lg	2		<input type="checkbox"/>
16		Washer, Nylon 1/4	8		<input type="checkbox"/>
17		Lock Nut 1/4	4		<input type="checkbox"/>
18		Screw, Pan Head #6 x 3/4	4		<input type="checkbox"/>
19	840006	Cable Assy, Ramp Support	2		<input type="checkbox"/>
20	840007C	S-Hook	3	3	<input type="checkbox"/>
OUTBACK ROOM					
21	R834542	Driver's Panel Fits Ramp Size	1		<input type="checkbox"/>
	-01W	98" x 74-81" & 102"x 74-81"			
	-02W	98" x 82-88" & 102" x 82-88"			
	-03W	98" x 88-96" & 102" x 88-96"			
22	R834543	Passenger Panel Fits Ramp Size	1		<input type="checkbox"/>
	-01W	98" x 74-81" & 102"x 74-81"			
	-02W	98" x 82-88" & 102" x 82-88"			
	-03W	98" x 88-96" & 102" x 88-96"			
23	901048	Sliding Eyelet	10	3	<input type="checkbox"/>
24	901036	Twist Fastener	10	3	<input type="checkbox"/>
25		Screw, Flat Head #6 x 1/2	20	3	<input type="checkbox"/>
26	R840018	Storage Bag	1		<input type="checkbox"/>
27	R940019	Spike	8	3	<input type="checkbox"/>
28	901036	Spike Storage Bag	1	3	<input type="checkbox"/>
29	835404	Bungee Cord	2	3	<input type="checkbox"/>

- Notes:
1. X = Color; nn = Length in feet
 2. Items marked with note 2 are included in bracket kit ZN0001.
 3. Hardware pack ZN0009 includes items marked with note 3.
 4. Items in gray are for reference only. Not available separately

LIMITED WARRANTY

Carefree of Colorado (hereafter referred to as Carefree) warrants to the FIRST retail Purchaser that the Outback Awning and Outback Room are free of defects in material and workmanship within the terms and conditions as set forth below. Carefree's obligation under this warranty is limited to the repair or replacement, at Carefree's option, of any defective component within the stated warranty period. THIS WARRANTY IS NOT TRANSFERABLE.

1. DURATION

- a) 1 year on parts and freight on fabric and hardware.

Warranty duration is not extended by the length of time the product is not in use or the time which the purchaser is deprived of the use of the product. The duration of coverage is determined by the date of the original product purchase, not the date of repairs.

2. WHAT IS COVERED UNDER THIS WARRANTY

Defects in the manufacturer's material and workmanship of product under normal use, and which occur within the duration of the warranty period. The following components are covered only as listed:

- a) *Fabrics* – Free from quality defects (normal wear and fading are excluded). Cracking, peeling, hardening, sagging or loss of strength provided that the damage is not the result of high winds or water pooling.
- b) *Hardware* – Free from extrusion defects.

3. WHAT IS NOT COVERED UNDER THIS WARRANTY

- a) Fabric damage such as pinholes or tears not reported within ten (10) calendar days of purchase.
- b) Improper installation and/or any damage or failure that results from improper installation of the product, including fabric damage caused by improper installation.
- c) Conditions that are not related to the material or workmanship of the product: including any failure that results from an accident, wind, rain, water pooling, or other acts of God.
- d) Purchaser's abuse, including but not limited to neglect; failure to operate, use or maintain the product in accordance with the instructions provided with the product.
- e) Any component not sold or manufactured by Carefree.
- f) Any failure that results from the use of another manufacturer's product with a Carefree product that is not specifically approved by Carefree.
- g) Any incidental, indirect, or consequential loss, damage, or expense that may result from any defect, failure, or malfunction of the Carefree product.
- h) The removal or alteration of any product component or device. In the event of such removal or alteration, this warranty is void.
- i) Any expense related to delivery or pick-up of product to/from the Service Dealer; including travel time, transport costs and/or service call charges.

4. RESPONSIBILITIES OF THE PURCHASER

IN ORDER FOR THE WARRANTY TO BE HONORED, THE PURCHASER MUST HAVE PROOF OF PURCHASE: THE ORIGINAL RECEIPT OR THE WARRANTY CARD ON FILE AT CAREFREE OF COLORADO. FAILURE TO PROVIDE THE REQUIRED DOCUMENTATION MAY DELAY OR VOID ANY WARRANTY CLAIM.

- a) Retain dated proof of purchase for specified product, and provide it as requested.
- b) Inspect the product upon purchase to confirm the condition of the canopy, hardware and proper operation of the product.
- c) Perform "Periodic Maintenance" as specified in Owners Manual.
- d) Use reasonable care in maintenance, operation, use and storage of the product in accordance with the instructions contained in the owner's manual.

5. WARRANTY CLAIM PROCEDURE

- a) Deliver any product claimed or found defective during warranty period to a Carefree of Colorado Authorized Service Dealer. Visit www.carefreeofcolorado.com for the name of nearest Authorized Service Dealer.
- b) Customer shall schedule a time with an Authorized Service Dealer. Repair or replacement will be scheduled and performed at the Authorized Service Dealer according to normal work flow and availability of replacement parts.
- c) *Work must be performed by a Carefree authorized service center.* When warranty work/repair is performed by an authorized service agent, the agent is responsible for directly billing Carefree of Colorado for warranted parts and labor.
- d) The customer shall pay only those costs not covered by warranty. The customer shall have no out-of-pocket expenses except as stated.
- e) The Original Purchaser is responsible for any expenses related to delivery or pick up of product to/from the Service Dealer; including travel time, transport costs and/or service call charges.
- f) If the Purchaser does not receive satisfactory results from the Authorized Service Dealer, the Purchaser should contact the Carefree of Colorado Customer Care Department within 10 days after completion of the questionable service.

THIS WARRANTY GIVES THE OWNER SPECIFIC LEGAL RIGHTS. THE LAWS OF CERTAIN JURISDICTIONS MAY GRANT THE OWNER ADDITIONAL RIGHTS AND PRIVILEGES. Except as set forth above, Carefree makes no warranty, whether statutory or otherwise, including without limitation, any warranty of merchantability or fitness for a particular purpose. Carefree shall have no liability except to repair, replace or adjust defective products and parts. Carefree specifically excludes any liability, whether in contract, tort or otherwise, for personal injury, property damage, economic or consequential losses. Carefree has not authorized any person or company to alter the terms of this warranty.

It is Carefree of Colorado's policy and practice to continuously improve the company's products and services. Therefore, Carefree reserves the right to make changes in design and components, without notice, whenever it is believed the quality of the product will be improved, but without incurring any obligation to incorporate such improvements in any product which has been shipped or in service.

FOR YOUR RECORDS:
DEALER/INSTALLER

NAME: _____

ADDRESS: _____

PHONE: _____

PURCHASE DATE: _____

PART NUMBER: _____

SERIAL NUMBER: _____

PRODUCT NAME OR DESCRIPTION: _____

Color: _____ **Size:** _____

Register your Carefree products on-line @
www.carefreeofcolorado.com