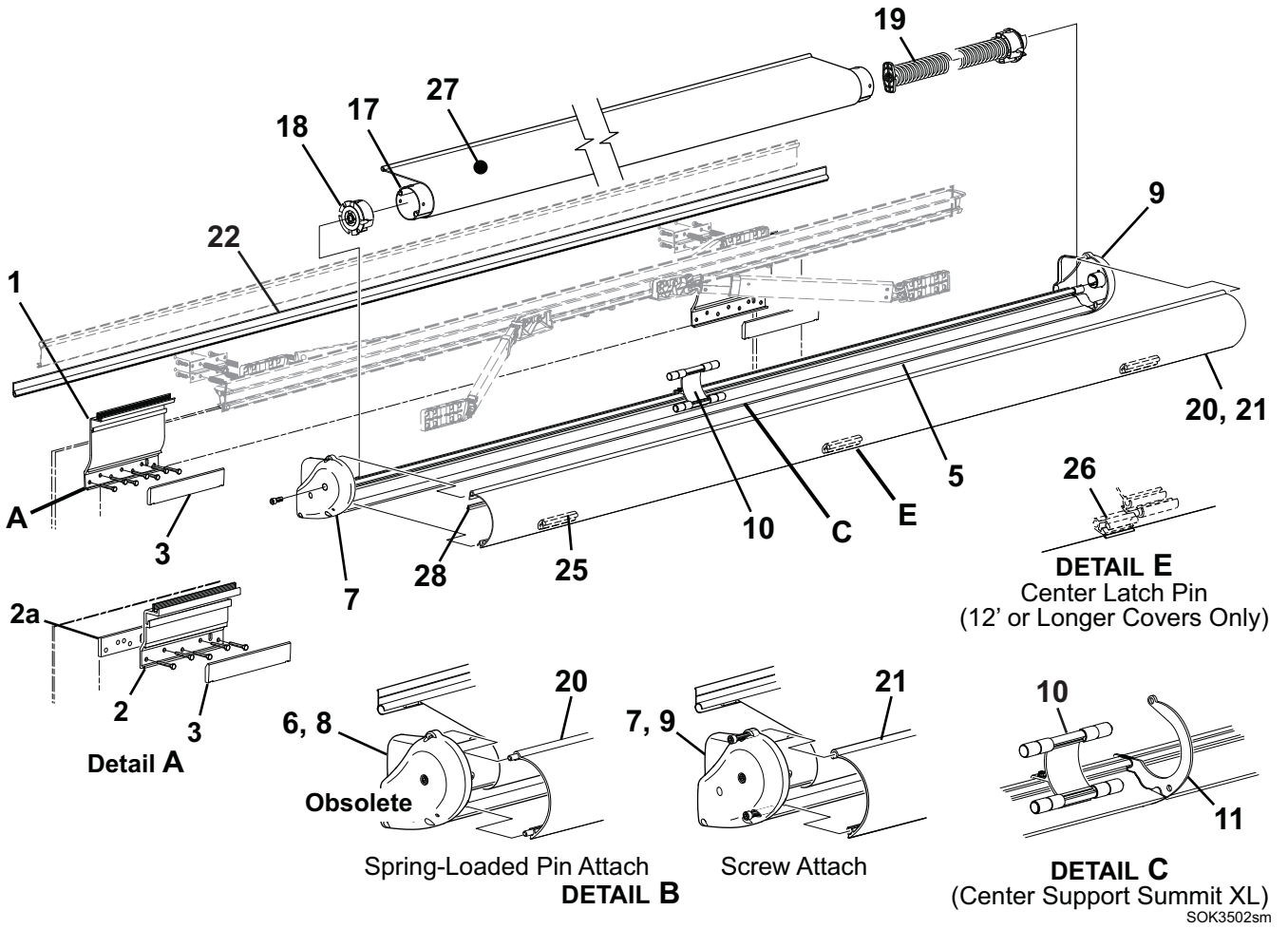


SUMMIT ILLUSTRATED PARTS LIST

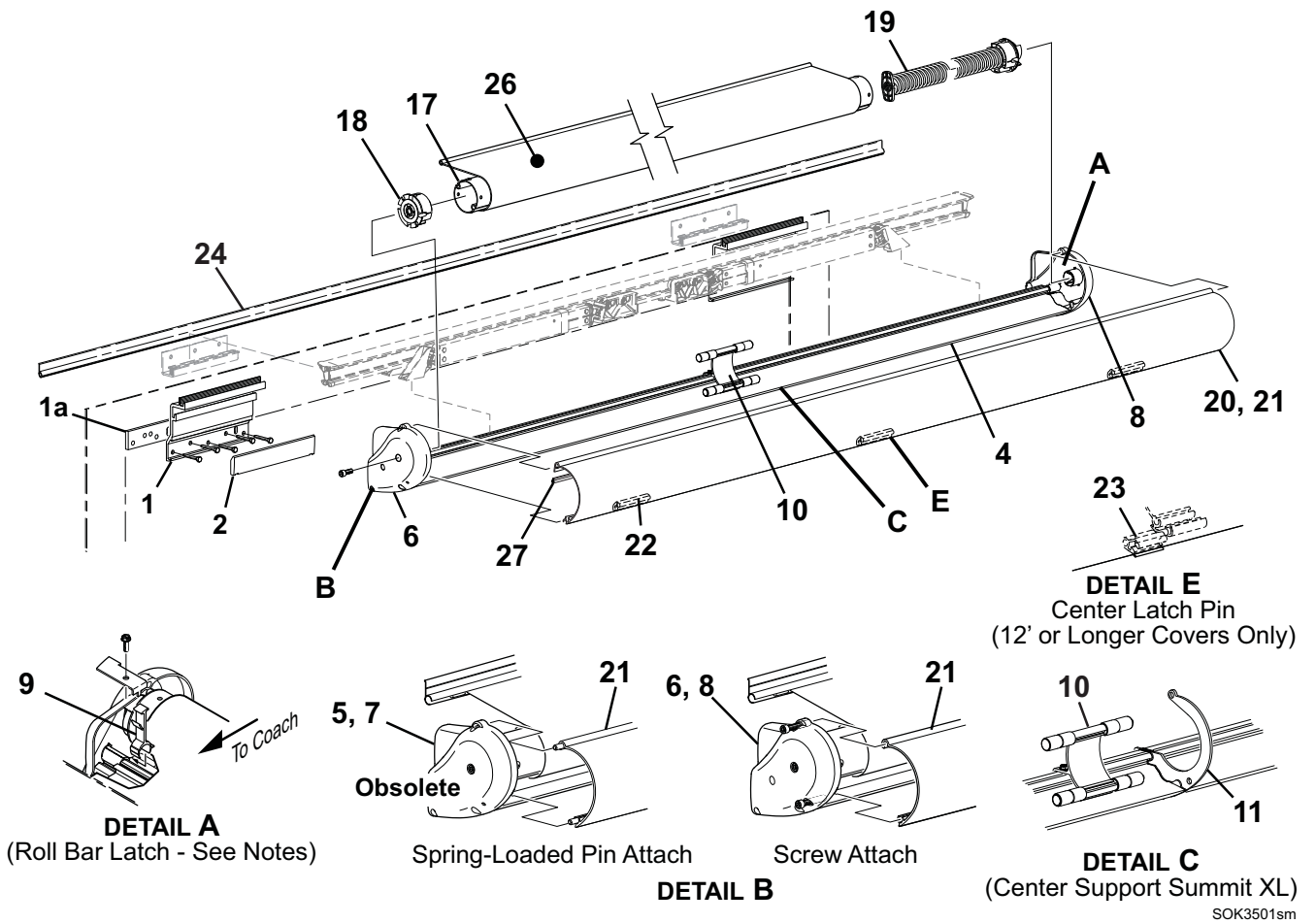


Item	Part Number	Description	Notes
1	R001150XXX-T	Bracket, Deflector Mount, Tall	6"
2	R001150XXX	Bracket, Deflector Mount, Short	4.5"
2a	R001534	Spacer, 1/4", Deflector Bracket	pkg of 2
3	R001151XXX	Cover, Deflector Mount Bracket	
5	R001153XXX-xxx	Deflector Assy	
	R001338XXX-xxx	Deflector Assy, LH	XL Only 3
	R001339XXX-xxx	Deflector Assy, RH	XL Only 3
6	Obsolete	End Cap, LH	Spring Pin Cover Attach 4
7	R001520XXX	End Cap, LH	Screw Cover Attach
8	Obsolete	End Cap, RH	Spring Pin Cover Attach 4
9	R001521XXX	End Cap, RH	Screw Cover Attach
10	R001156	Roller Support	
11	R001258	Center Support Plate	XL Only
17	610400-xxx	Roller Tube	
	33xxx	Roller Tube Assy	XL Only 3
18	R001164	End Cap Assy, Roll Bar, LH	
19	R001165	Spring Assy	
	R001165XL	Spring Assy	XL Only
20	R001169XXX-xxx	Front Cover Assy, Spring Pin Attach	6
21	R001337XXX-xxx	Front Cover Assy, Spring Pin Attach	XL Only 6,7
22	0157xxx	Awning Rail	
25	R001364	Bumper, Deflector, Rubber	pkg of 4
26	R001186	Center Latch Pin	
27		Canopy Only	Refer to Canopy Order Form
28	R001562	Bumper Guard	pkg of 2 7

Notes:

1. XXX = Color; xxx = Length in Inches
2. The XL replacement roller tube assy includes the roll bar halves, splice, rivets, end caps and pre-wound spring.
3. XL replacement extrusions and extrusion assemblies are sent out in two pieces and assembled during installation.
4. End caps (Items 6, 8) are obsolete. If replacing end caps, it will be necessary to use items 7 & 9; remove the spring pins from the ends of the cover and attach the cover to the new end caps with screws. Use the product installation manual for detailed attachment instructions.
5. For older assemblies with the spring pin attachment: If replacing the cover assembly, it will also be necessary to replace the end caps for the screw mount style (items 7, 9). New covers are mounted with screws. Also refer to note 4.
6. XL replacement cover includes both the LH and RH halves.
7. Set of two bumper guards (item 28) is included with canopy replacements.
8. Summit awnings can be converted to the SOKIII by removing the lift bar assemblies.

SUMMIT ILLUSTRATED PARTS LIST (OEM MODEL)



Item	Part Number	Description	Notes
1	R001150XXX	Bracket, Deflector Mount, Short, 4.5"	
1a	R001534	Spacer, 1/4", Defector Bracket	
2	R001151XXX	Cover, Deflector Mount Bracket	
4	R001153XXX-xxx	Deflector Assy	
	R001338XXX-xxx	Deflector Assy, LH	XL Only 4
	R001339XXX-xxx	Deflector Assy, RH	XL Only 4
5	Obsolete	End Cap, LH	Spring Pin Cover Attach 5,6
6	R001520XXX	End Cap, LH	Screw Cover Attach 5,6
7	Obsolete	End Cap, RH	Spring Pin Cover Attach 5,6
8	R001521XXX	End Cap, RH	Screw Cover Attach 5,6
9	Obsolete	Roll Bar Latch	2
10	R001156	Roller Support	
11	R001258	Center Support Plate	XL Only
17	610400-xxx	Roller Tube	
	33xxx	Roller Tube Assy	XL Only 3,4
18	R001164	End Cap Assy, Roll Bar, LH	
19	R001165	Spring Assy	
	R001165XL	XL Spring Assy	XL Only
20	R001169XXX-xxx	Front Cover Assy	7
21	R001337XXX-xxx	Front Cover Assy	XL Only 7,8
22	R001364	Bumper, Deflector, Rubber	
23	R001186	Center Latch Pin	
24	0157xxx	Awning Rail	
26		Canopy Only	Refer to Canopy Order Form
27	R001562	Bumper Guard	pkg of 2

- Notes:
1. XXX = Color; xxx = Length in Inches
 2. The roll bar latch has been discontinued. For spares order RH end cap (item 8). Also refer to note 5.
 3. The XL replacement Roller Tube Assy includes the roll bar halves, splice, rivets, end caps and pre-wound spring.
 4. XL replacement extrusions and extrusion assemblies are sent out in two pieces and assembled during installation.
 5. End caps (Items 5, 7) are obsolete. If replacing end caps, it will be necessary to use items 6 & 8; remove the spring pins from the ends of the cover and attach the cover to the new end caps with screws. Use the product installation manual for detailed attachment instructions.
 6. For older assemblies with the spring pin attachment: If replacing the cover assembly, it will also be necessary to replace the end caps for the screw mount style (items 6, 8). New covers are mounted with screws. Also refer to note 5.
 7. XL replacement cover includes both the LH and RH halves.
 8. The Summit may be converted to an SOKIII by removing the lift bar assembly and hardware.