



SIMPLY SHADE CANOPY REPLACEMENT

RV Kits

This procedure requires two people. One to support, brace and hold the roller tube while the second person does the canopy replacement.

⚠ WARNING This product can expose you to chemicals including Di-isodecyl phthalate (DIDP), Vinyl Chloride and Formaldehyde, which are known to the state of California to cause cancer or birth defects or other reproductive harm. For more information visit www.P65warnings.ca.gov



⚠ WARNING Risk of Fire. Keep all sources of heat and flame away from the awning canopy. Fabric is NOT fireproof.



⚠ WARNING Always wear appropriate safety equipment (i.e. gloves, goggles, ear protection).



⚠ WARNING FALL HAZARD. ALWAYS use a ladder that meets or exceeds the standards and requirements of the American National Standards Institute and the Occupational Safety and Health Administration. ALWAYS follow the manufacturer's instructions for ladder safety. Failure to follow this warning could result in death or serious bodily injury.

This procedure is done after the awning has been installed on the vehicle.

1. Open the awning completely. Attach the pull strap to the catch.
2. Remove the two (2) fabric retaining screws from the awning rail and save.
3. Twist the roller tube until the fabric slot lines up with the slots in the head. Have a second person firmly hold the roller tube in this position.

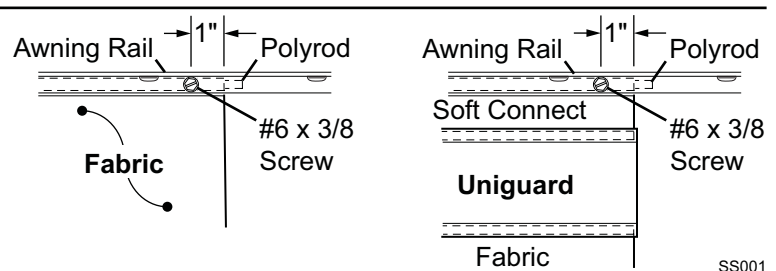
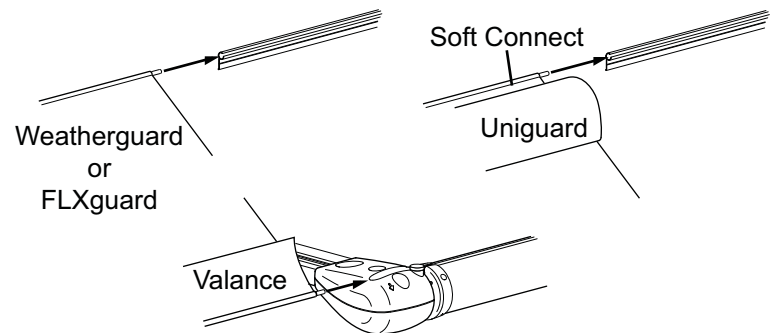
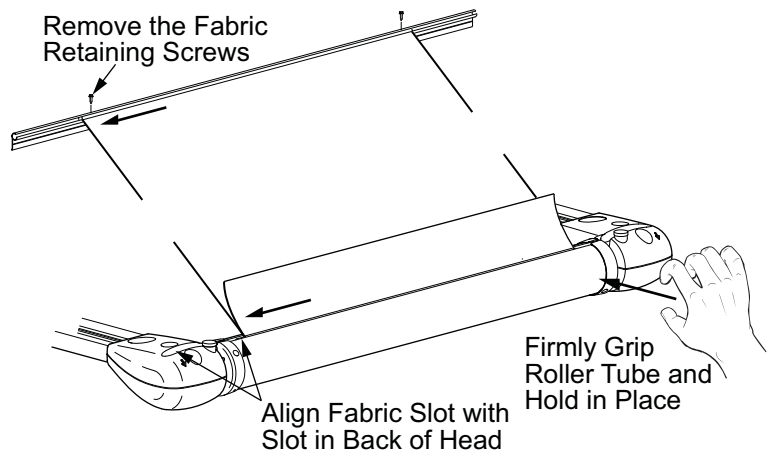
Tip: Using rubber gloves provides a solid grip.

NOTICE Continue to hold the roller tube until the new fabric has been installed. Failure to hold the roller tube in position will allow the roller tube to unwind and lose the spring tension.

4. Slide the old canopy out of the roller tube and awning rail.
5. Slide the new canopy into the awning rail and roller tube. The large polyrod (plastic rod in edge of canopy) goes into the awning rail.

If installing a canopy with Uniguard, slide the soft connect into the awning rail while sliding the canopy into the roller tube.

6. Center the canopy in the roller tube.
7. Close the awning to make sure that the fabric is rolling up straight. Adjust the fabric position in the roller tube as necessary.
8. Secure the fabric in the awning rail using the two (2) retaining screws removed previously. The screws must go through the awning rail, fabric and polyrod.



SS001