



- ◆ ***Made of durable, lightweight polyester material - the same material used for tents.***
- ◆ ***Does not require hardware that is attached to the RV.***
- ◆ ***No rafters to install.***
- ◆ ***Allows awnings with auto-dump features to function correctly. When the awning folds to release water, the room folds with the awning.***

INTRODUCTION

From its beginning in the early 70's, Carefree of Colorado has emerged as the premier manufacturer of quality awnings and accessories for Recreational Vehicles (RVs). Our full line of products can provide the accessories that match your life style; no matter what type of RV you own.

Check with your dealer to discover the products that can make your life more Carefree.

TABLE OF CONTENTS

Introduction	2
Room Setup	3
Manual Awnings - Start Here.....	3
Motorized Awnings - Start Here.....	3
Installing the Room.....	4
Setting the Pitch	5
Stake and Seal the Room.....	5
Side Panel Tension Cord.....	5
Attaching the Skirt	6
Door/Step Skirt	6
Wheel Well Skirt	7
Skirt Panel.....	7
Storing the Room	8
Room Care	9
Fabric Care.....	9
Mildew	9
Applications Chart	10
Carefree Major Product Limited Warranty.....	11

⚠ WARNINGS

- ⚠ **DIRECT RESPONSE SYSTEMS:** FOR AWNING WITH THE DIRECT RESPONSE AUTO-RETRACT, THE AUTO-RETRACT FEATURE MUST BE SHUT OFF. IF THE AWNING AUTO-RETRACTS, DAMAGE TO THE AWNING, ROOM AND VEHICLE CAN OCCUR AS WELL AS PERSONAL INJURY. REFER TO THE AWNING OWNER'S MANUAL FOR INSTRUCTIONS.
 - ⚠ **KEEP ALL SOURCES OF HEAT AND FLAME AWAY FROM THE ROOM. FABRIC IS NOT FIREPROOF AND CAN BURN IF LEFT IN CONTACT WITH ANY FLAME OR HEAT SOURCE.**
 - ⚠ **NEVER USE ANY GAS-POWERED DEVICES INSIDE THE ROOM. GAS-POWERED DEVICES CONSUME OXYGEN AND PRODUCE CARBON MONOXIDE THAT IS POISONOUS AND HAS NO ODOR.**
 - ⚠ **SKIRTING MUST NOT INTERFERE WITH LP APPLIANCE OR EXHAUST VENTS. DO NOT START OR OPERATE THE ENGINE OR GENERATORS IF THE EXHAUST COMPONENTS ARE LOCATED BEHIND THE SKIRTING.**
-

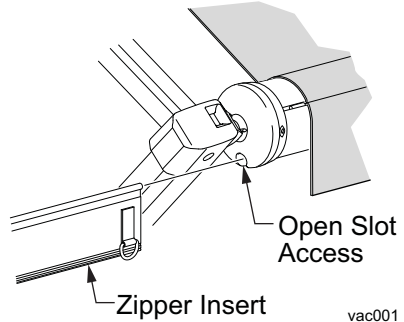
- ⚠ **CAUTION:** If so equipped, the automatic entry step operation must be disabled when installing and/or using the skirting.
-

ROOM SETUP

MANUAL AWNINGS - START HERE

Start here for Carefree manual awnings and A&E awnings.

1. Extend the awning out according to the manufacturer's instructions. Ensure that the open roller tube slot and slot access is down and accessible on the idler (LH) side of the awning.
2. If necessary, clean and deburr the slot and slot access.
3. *For awnings with a pull strap*, slide the pull strap down to the opposite end of the roller tube.
4. Unfold the room. If attached, remove the zipper insert from the top of the front panel portion of the room.
5. Slide the zipper insert into the open slot of the roller tube. Ensure that the rings are facing out away from the vehicle as shown.
6. Go to "Installing the Room" on page 4.

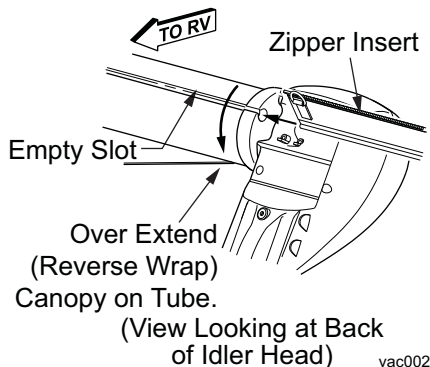


vac001

MOTORIZED AWNINGS - START HERE

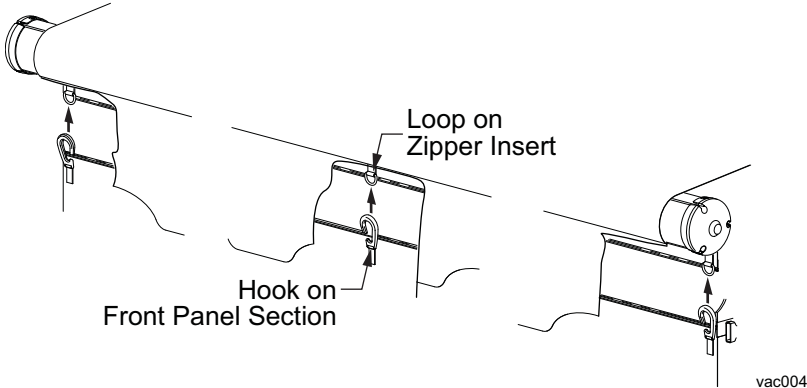
Start here for Carefree motorized awnings.

1. Extend the awning out according to the manufacturer's instructions.
 - For Travel'r series awnings and Eclipse awnings without Auto Retract:*
 - Hold the EXTEND switch until the empty slot of the tube aligns with the slot on the back of the idler (LH) head.
 - For Eclipse with Auto Retract:*
 - After extending the awning, press and release the retract button. Stop the awning when the roller tube makes approximately 1/2 turn or less.
 - Hold the EXTEND switch until the empty slot of the tube aligns with the slot on the back of the idler (LH) head.
2. Unfold the room. If attached, remove the zipper insert from the top of the front panel portion of the room.
3. Slide the zipper insert into the open slot of the roller tube. Ensure that the rings are facing toward the vehicle as shown.
4. Using the retract switch, roll the awning up to the normal extended position. Note: When the insert is hanging down, the rings will face out away from the vehicle.
5. Go to "Installing the Room" on page 4.

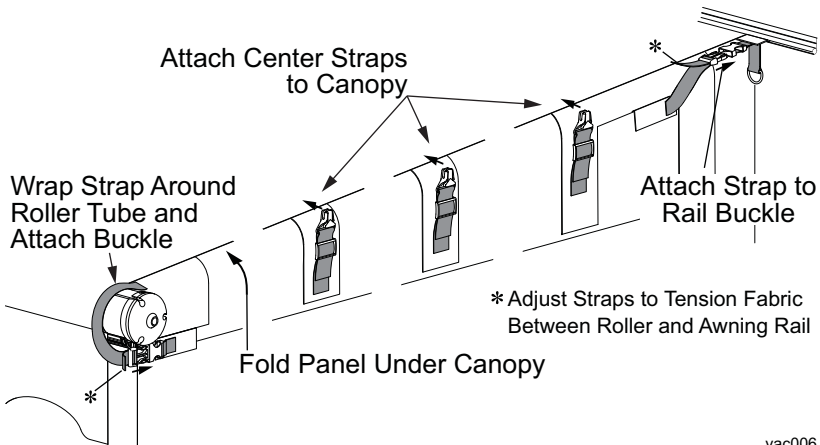
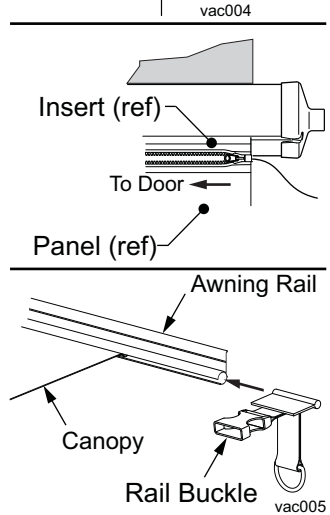


vac002

INSTALLING THE ROOM



1. Lift the front panel section up. The door goes on the right side with the privacy panels facing out away from the coach.
2. Temporarily hook the front panel to the zipper insert.
3. Zip the panel to the insert. The zipper starts on the end opposite the door.
4. Slide the rail buckles into the awning rail and up next to the canopy on both sides.
5. Lift the side panel section up and attach the buckle on the panel to the rail buckle.
6. At the roller tube, wrap the long strap around the roller tube and attach the buckles.
7. Using the straps on the buckles (steps 5 and 6) adjust the strap length to tension the fabric between the roller tube and awning rail.
8. Fold the top of the side panel under the canopy.
9. Attach the side strap clamps to the canopy.



SETTING THE PITCH

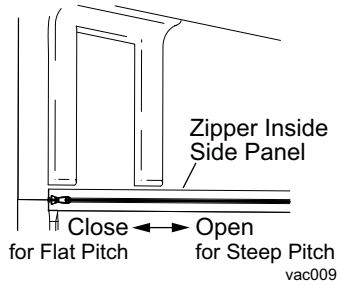
The room can accommodate two different pitch settings, flat (shallow) or steep.

Locate the zippers on the inside of the side panels.

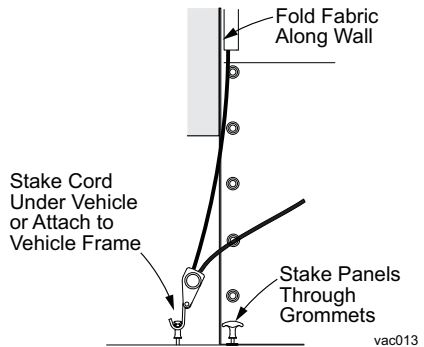
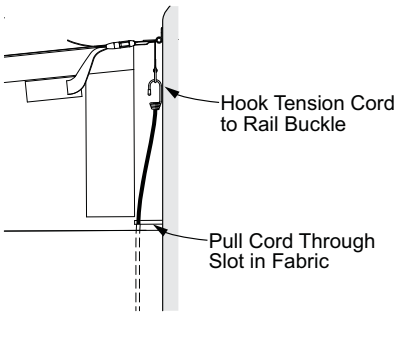
Close the zipper for flat pitch applications or open the zipper for steep pitch applications.

CAUTION OPEN AND CLOSE THE ZIPPER WITH CARE. THE SIDE WALL MATERIAL CAN BE CAUGHT AND JAM THE ZIPPER.

NOTE: For adjustable pitch awnings, it may be necessary to adjust the pitch of the awning so that the panels hang straight.



STAKE AND SEAL THE ROOM



1. At the top, Slip the tension cord through the slot in the fabric and hook to the ring on the rail buckle.
2. Fold the fabric along the vehicle wall.
3. Drive a stake slightly under the vehicle then hook the bottom of the tension cord to the stake. or Hook the cord to the vehicle frame. Tighten the cord as required.
4. Fold the bottom of the front and side panels and stake using the grommets.

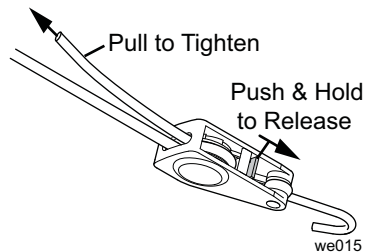
SIDE PANEL TENSION CORD

The Vacation'r is shipped with a tensioning cord installed in each side panel. The top of the cord has a standard hook that attaches to the ring on the rail buckle.

The bottom of the cord has a ratchet tie-down that attaches to a stake or the vehicle frame.

To use the ratchet tie-down:

- After placing the hooks, simply pull the open end of the cord. The cord stays in place until released.
- To release: Press and hold the thumb latch. The cord will be loose and can be pulled away from the tie-down.

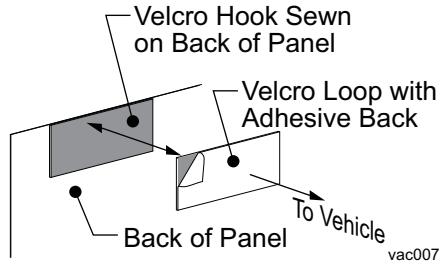


ATTACHING THE SKIRT

The modular skirt panels attach to the vehicle with velcro strips¹. The velcro "loop" half is adhered to the vehicle wall.

For first time installations, thoroughly clean the vehicle wall where the panels are to be placed. Remove all grease, dirt and wax from the area².

Remove the release paper from the back of the velcro pads.

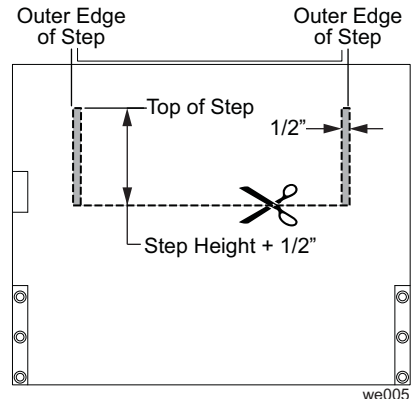
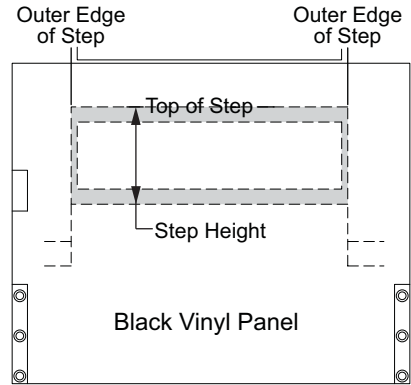


Position the panel and press the velcro against the wall. Allow the adhesive to set 24 hours for a complete bond. The illustrations below use the bottom of the door to align the top of the panels. The panels can be positioned higher or lower within the height limits of the panels.

DOOR/STEP SKIRT

If the skirting goes across the entry step, use the vinyl panel at the door.

1. Center the panel below the door. Attach the velcro to the vehicle.
2. With the panel attached to the RV wall, carefully mark the location of the top, side edges of the step.
3. Remove the skirt from the RV and lay on a flat clean surface.
4. Measure the height of the step.
5. On the skirt, measure and cut a 1/2" slot from the marks made in step 1. the slot should be the height of the step + 1/2"
6. Draw and cut a straight line between the bottoms of the slots. This creates a flap in the fabric.
7. Slide the skirting over the step and tuck the flap behind the stair tread. Attach the skirting to the velcro.



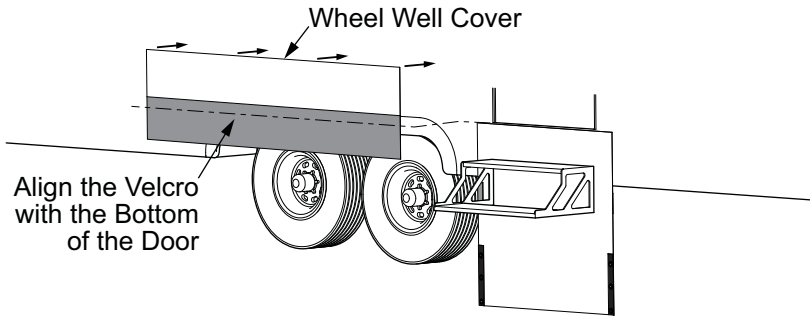
¹ VELCRO® is the registered trade name of Velcro Industries. The term "velcro" is used to generically describe the fabric hook and loop fasteners used with the product.

² To remove wax, it is necessary to use a pre-wax cleaner or polisher. These are commercially available at automotive supply stores and automotive detailer shops.

WHEEL WELL SKIRT

If the skirting crosses the wheel well and the well extends above the top of the skirting, use the long, narrow wheel well skirt

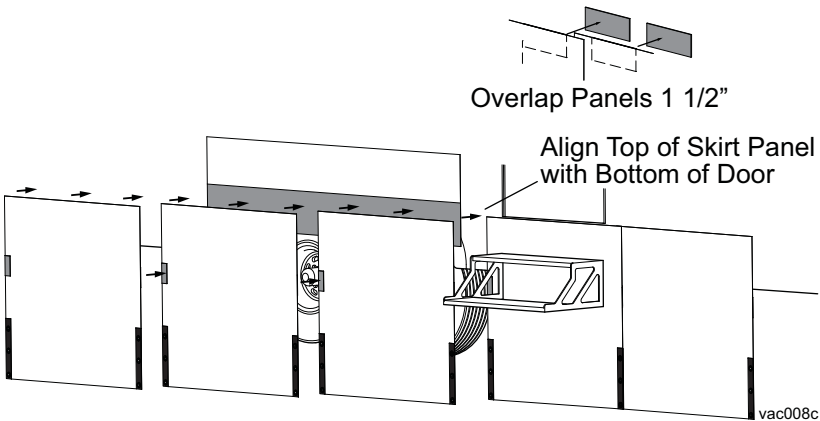
1. Center wheel well skirt over the wheel(s). Align the lower velcro material with the bottom of the door. Attach the velcro to the vehicle wall.



vac008

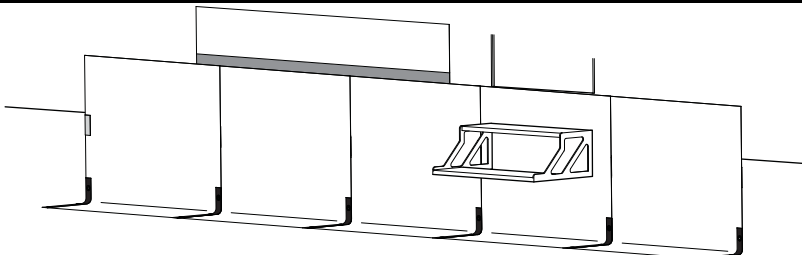
SKIRT PANEL

NOTE: For panels that cross the wheel well cover, remove the loop pad from the skirt. The material at the bottom of the wheel well panel has a velcro acceptable nap to hold the panel velcro hook.



vac008c

1. Starting at the stair, position a skirt panel and attach the velcro.
2. Continue placing panels along the length of the awning. Please note that the panels are designed to overlap approximately 1 1/2".

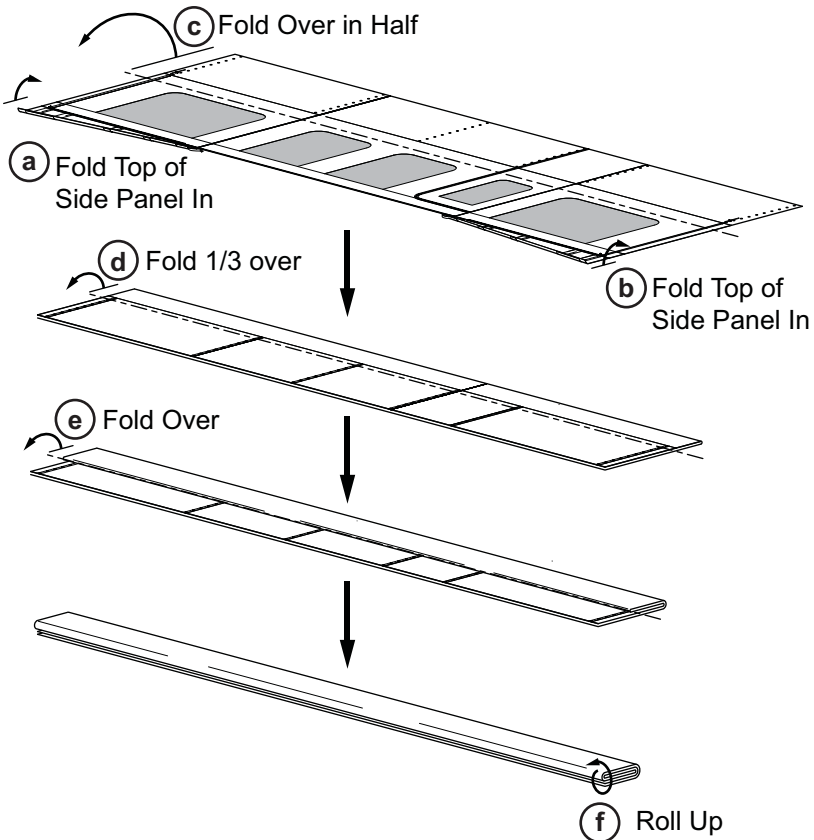


Completed Skirts

vac008d

STORING THE ROOM

1. Remove the stakes and store.
2. Unfasten all buckles and clamps.
3. Remove and store the rail buckles.
4. For manual awnings: Slide the front panel section and zipper insert out of the roller tube. Position the awning pull strap in the center of the roller tube.
5. For motorized awnings: Unzip the front panel section from the zipper insert. The zipper insert can be left in the roller tube for storage.
6. Lay the room out flat with the privacy panels down. Fold the room as shown and pack in the bag.



ROOM CARE

Maintaining a Carefree Room is easy. Just follow these basic steps:

- Always use the room according to the instructions.
- Keep the awning fabric and arms clean.

FABRIC CARE

CAUTION

DO NOT USE OIL BASED CLEANERS OR ANY CAUSTIC, GRANULATED, OR ABRASIVE TYPE CLEANERS ON YOUR CAREFREE PRODUCT.

1. One of the best ways to keep the fabric looking good and to delay the need for deep or vigorous cleanings is to hose fabrics off on a monthly basis with clear water. This practice will help prevent dirt from becoming deeply imbedded in the fabric. In most environments, a thorough cleaning will be needed every two to three years.
2. When it is time for a thorough cleaning, the fabric can be cleaned while still on the awning frame. Use a soft brush and warm water with soap.
3. When cleaning the fabric, it is important to observe the following:
 - Always use a natural soap, never detergent.
 - Water should be cold to lukewarm, never more than 100°F.
 - Air-dry only. Never apply heat to the fabric.
 - Always allow the fabric to dry thoroughly before storing the room.

MILDEW

Mildew is a fungus growth that looks like dirt. Under ordinary conditions, mildew will not appear. However, in areas where high temperature and humidity are common, mildew can be a problem and require the material to be washed more frequently. Thoroughly rinse the fabric with clean water and allow to air dry completely before storing the room.

APPLICATIONS CHART

The VACATION'R fits on the following Carefree vertical arm awnings:*

Manual Awnings:

- ◆ *Spirit - Fiesta - Simplicity*
- ◆ *Pioneer*

Motorized Awnings:

- ◆ *Travel'r Fixed Flat Pitch*
- ◆ *Travel'r Fixed Steep Pitch*
- ◆ *Travel'r Adjustable Pitch*
- ◆ *Eclipse*

* Awnings with vinyl canopies. Room does not fit awnings with acrylic fabric and Uniguard.

*The VACATION'R fits on the following A & E vertical arm awnings**:*

Manual Awnings:

- ◆ *8300*

Motorized Awnings:

- ◆ *Weather Pro*
- ◆ *9100 Power Awning*

** Room has not been tested on A & E awnings that are not listed.

CAREFREE MAJOR PRODUCT LIMITED WARRANTY

Carefree of Colorado (hereafter referred to as Carefree) warrants to the first retail Purchaser that the Carefree Product is free of defects in material and workmanship within the terms and conditions as set forth in the warranty statement available online at www.carefreeofcolorado.com. Carefree's obligation under this warranty is limited to the repair or replacement, at Carefree's option, of any defective component with new or factory refurbished components.

OWNER MUST RETAIN THE ORIGINAL PROOF OF PURCHASE AND/OR HAVE THE PRODUCT WARRANTY REGISTRATION ON FILE AT CAREFREE FOR WARRANTY CLAIMS.

THIS WARRANTY IS NOT TRANSFERABLE.

For

- **Warranty Duration;**
- **Warranty Coverage and Exclusions;**
- **Warranty Terms of Coverage; and,**
- **Warranty Claim Procedures**

Refer to publication
052580-111 "Carefree Major Product Limited Warranty"
available online at
www.carefreeofcolorado.com

Register your Carefree products on-line at www.carefreeofcolorado.com

Publications available on-line @ www.carefreeofcolorado.com:

052564-001 Owner's Manual

IMPORTANT NOTICE: It is strongly recommended that adjustments and repairs not described in this book be performed by trained technicians at your Authorized Carefree Dealer. Work performed by non-authorized persons or businesses may void warranty.

