



HARD DOOR UPGRADE KIT

FOR ADD-A-ROOM & BREEZEWAY SCREEN ROOMS

RV Accessories

THIS MANUAL SUPPLEMENTS THE ADD-A-ROOM INSTRUCTIONS

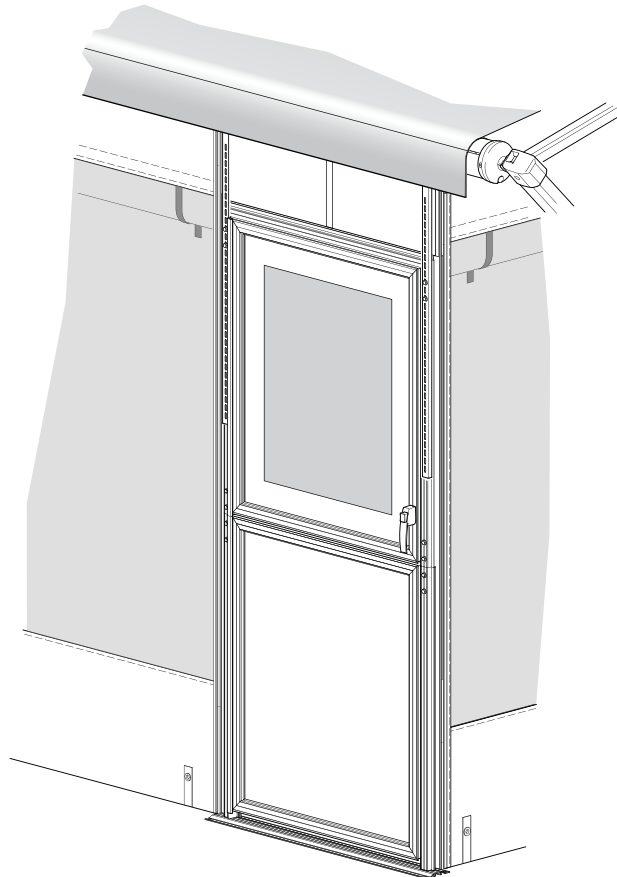


TABLE OF CONTENTS

First Time Assembly 2

 Assembling the Door 2

 Roller Tube Brackets 3

 Filler Panel 4

 Zipper Assemblies 4

Using the Door 5

 Storing the Door 5

Component Checklist 6

Limited Warranty 7

FIRST TIME ASSEMBLY

Prior to setting up and installing the door, extend the awning and set up the room per the instructions for the room and awning. Do not include the vinyl door.

Unpack the box; use the Checklist on page 6 to identify the parts included.

The door may be set up on the left or right side of the awning. The door is made to swing out of the room.

ASSEMBLING THE DOOR

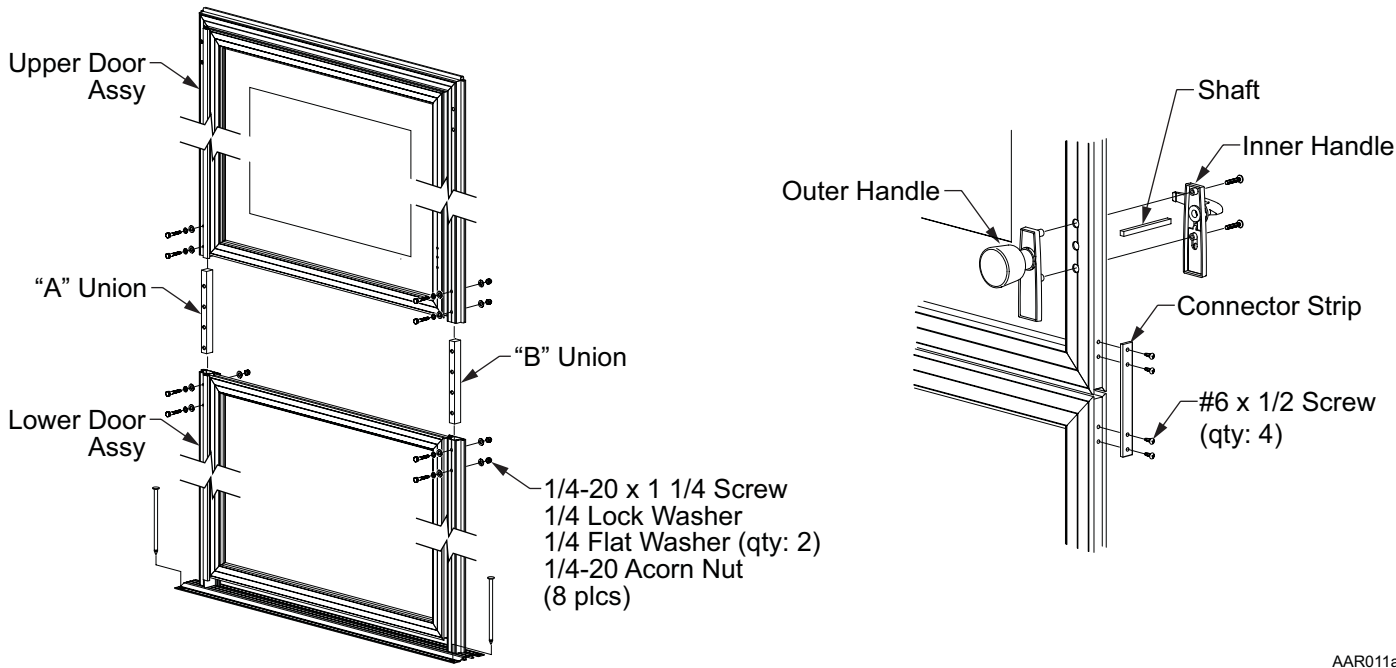
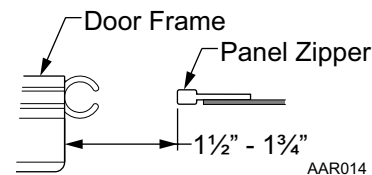


Figure 1. Assembling the Door.

1. Locate the union fittings for the door frame. One is stamped with "A" and the other is stamped "B".
2. Insert the "A" union into the lower door frame where it is marked "A". Attach using the enclosed 1/4-20 x 1 1/4 screw, lock washer, flat plastic washer (2 per screw) and acorn nut. Do not tighten at this time.
3. Insert the "B" union into the lower door frame on the opposite side and attach.
4. Slide the upper door assembly over the unions and attach with 1/4-20 x 1 1/2 screws, lock washers, plastic washers and acorn nuts.
5. Ensure that the door frame is square and straight then tighten all the attaching screws and nuts.
6. Open the upper and lower door halves and connect together with the connecting strip. Attach the connecting strip using four (4) #6 x 1/2 sheet metal screws.
7. On the upper door half, assemble the door handle assembly pieces as shown and secure using the supplied screws. The inner handle assembly must be on the same side as the striker plate on the frame.
8. Position the completed door assembly under the roller tube in the desired position.
 - Door should be square and perpendicular with the roller tube.
 - Door can be mounted on the left or right side of the front panel.
 - Allow approximately 1 1/2" – 1 3/4" between the edge of the door frame and the zipper edge of the front panel.



9. Stake the door sill to the ground with the supplied stakes.

ROLLER TUBE BRACKETS

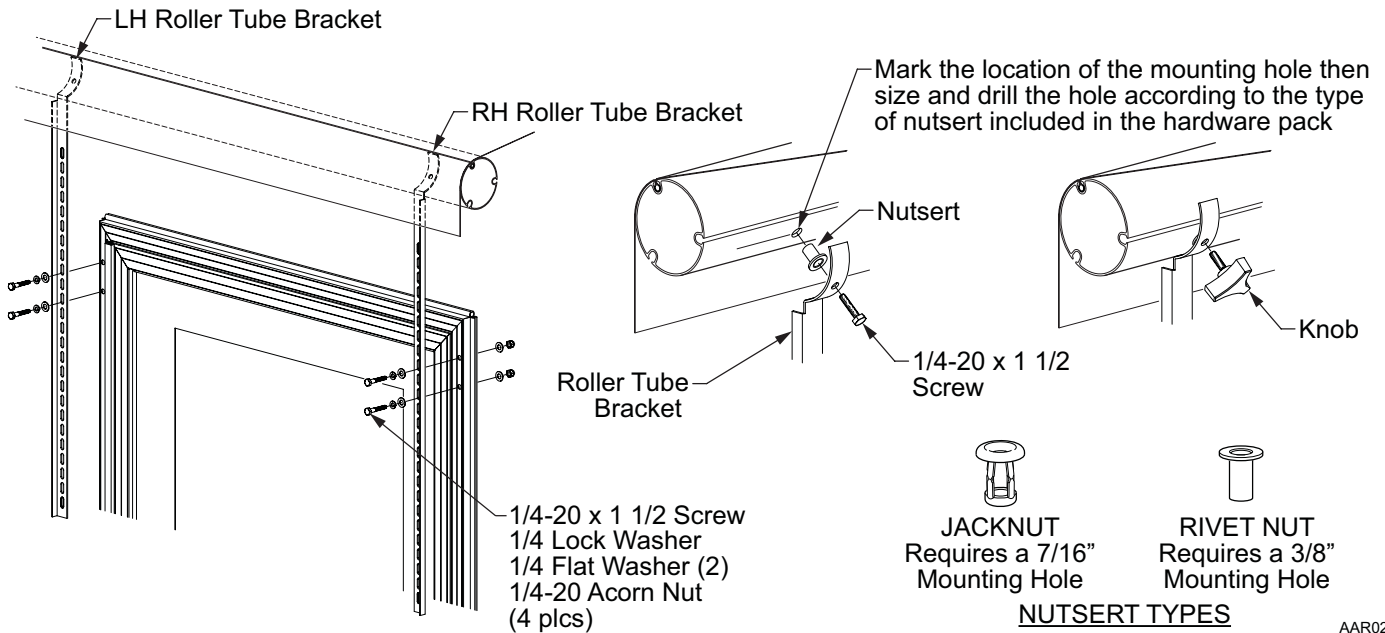


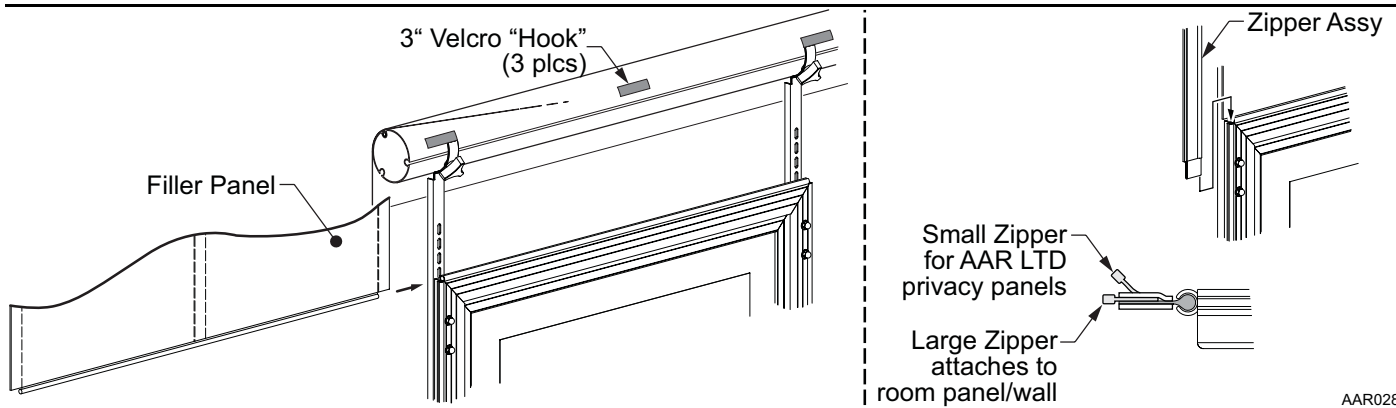
Figure 2. Installing the Brackets.

1. Position the roller tube bracket onto the door and lift the bracket until the roller tube is cradled in the curved portion of the bracket. The curved portion of the bracket goes to the inside of the roller tube as shown.
2. On the roller tube, mark the position of the bracket mounting hole. If the mounting hole crosses a roller tube slot, measure down from the slot approximately 5/8" and mark the bracket. Drill a new 5/16" hole through the bracket then use the new hole to mark the roller tube.
3. Inspect the nutserts included with the hardware pack. Drill the appropriate size hole into the roller tube for the nutsert that is included. Clean and deburr as required. Use care to not oversize the hole otherwise the nutsert may not proper seat in the next step.
4. Insert a nutsert into the hole.
5. Firmly hold the nutsert in place using the roller tube bracket. Using one of the provided 1/4-20 x 1 1/2 screw tighten the screw in the nutsert until the nut is firmly seated in the roller tube.

⚠ CAUTION

DO NOT OVER TIGHTEN THE SCREW. DO NOT USE POWER TOOLS, USE HAND TOOLS ONLY TO TIGHTEN.

6. Remove the screw and replace with the hand knob.
7. Attach the bracket to the doorframe using two (2) each 1/4-20 x 1 1/2 screw, lock washer, plastic washer (2) and nut.
8. Repeat for second roller tube bracket.



AAR028

Figure 3. Installing the Filler Panel and Zipper Inserts.

FILLER PANEL

1. On the top of the frame, slightly spread one end open of the slot and deburr the edges. Spray the slot with a dry silicone lubricant to aid in sliding the filler panel into the slot.
2. Slide the rubber track on the filler panel into the slot at the top of the frame. Orient the panel with the velcro facing the roller tube brackets.
3. Center the panel over the door and lift up to the roller tube. On the roller tube, mark the locations of the velcro on the filler panel.
4. Make sure that the marked areas of the roller tube are clean and dry. Place the self adhesive 3" fabric fastener strips onto the roller tube at the marks made previously. Trim the strips so that the strips DO NOT cover the empty slot in the roller tube.

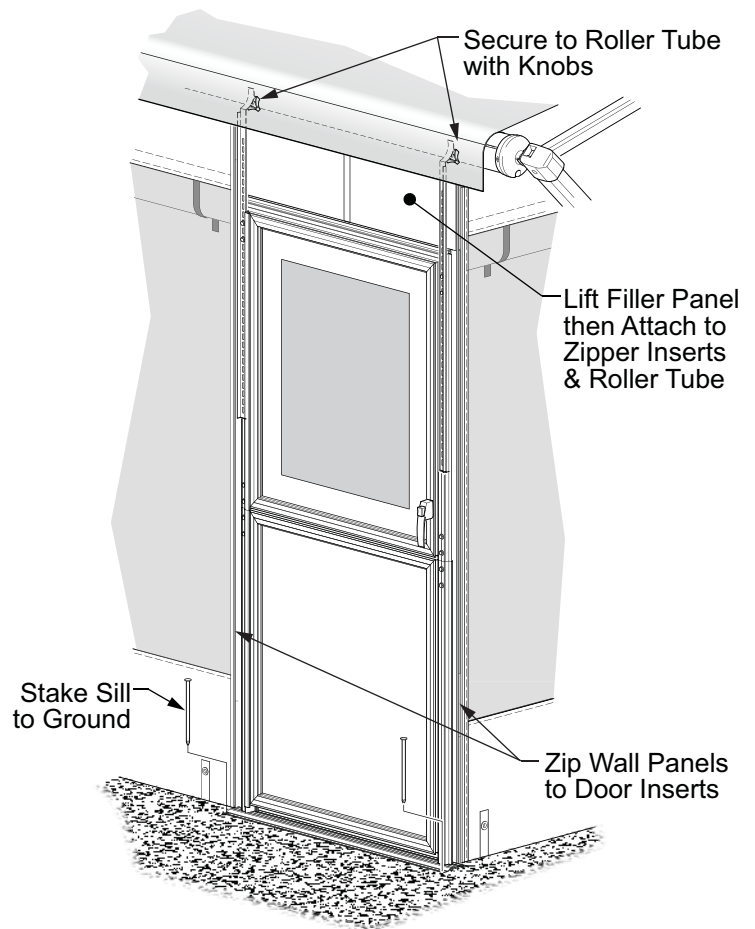
ZIPPER ASSEMBLIES

Two zipper sets are included with the door. Compare the zipper inserts with the room panels. Use the insert set that matches the room panel. Both zipper sets are installed and used in the same way.

1. Separate the zipper halves. The large zipper matches the zippers on the room's panels. The smaller zipper matches the zippered privacy panels used on the Add-A-Room LTD.
2. Match the zipper halves to the panel zippers. One room panel zipper will have the slider the other does not.
3. For the side slots of the frame, slightly spread top open and deburr the edges. Spray the slots with a dry silicone lubricant to aid in sliding the zipper assembly into the slot.
4. Slip the zipper and white polyrod into the side slot of the door frame. Position the zipper to match the panel zippers.
 - The Velcro strips go to the top of the door.
 - The door frame slot has been widened at the bottom so that the zipper assembly can be pulled out to vertically adjust the position to match the panel zipper.
5. Zip the panel zippers and door zippers together.
6. Lift the filler panel up to the roller tube and attach the velcro to the velcro on the zipper assembly and the velcro on the roller tube.
 - Any excess filler panel material may be rolled up and tied out of the way.
 - or
 - Trim the excess material from the panel.

USING THE DOOR

1. If the door has been disassembled for storage, assemble the door using the information on the previous pages as a guide.
2. Extend the awning and set up the room per the instructions for the room and awning. Do not include the vinyl door.
3. Set the door assembly under the roller tube in the desired position. Door should be square and perpendicular with the roller tube. The roller tube brackets should align with the rivnuts installed in the roller tube.
4. Secure the door to the roller tube using the roller tube brackets and knobs.
5. Check the squareness of the door then stake the sill to the ground with the supplied stakes.
6. Zip the wall panels to the zipper inserts of the door.
7. Lift and wrap the filler panel up and around the back of the roller tube. Attach to the velcro pieces on the roller tube.
8. Attach the filler panel to the zipper inserts.
9. Fold and stake the room panels per the instructions provided with the room.



AAR016

STORING THE DOOR

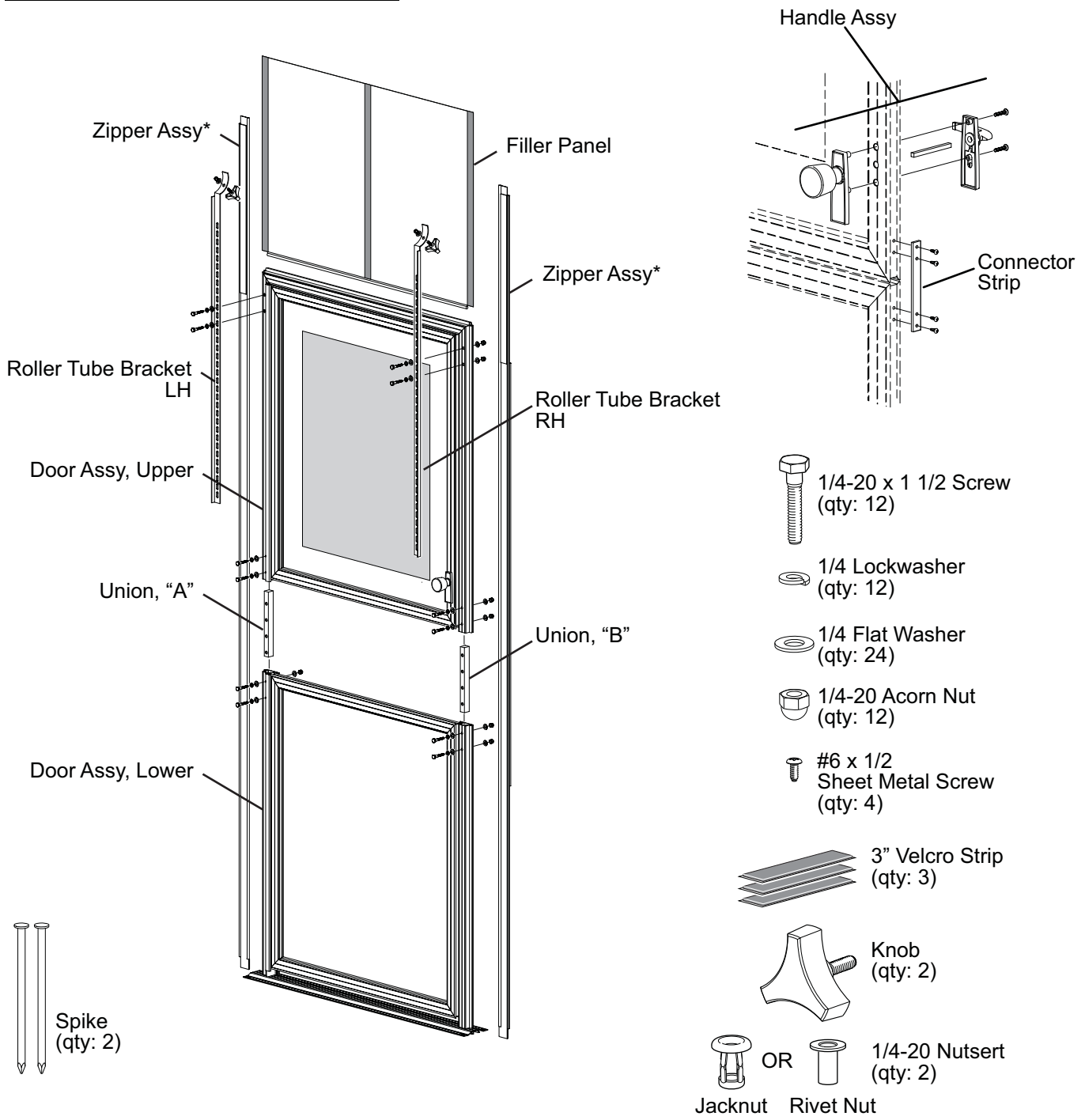
When not being used, store the door in a secure place. Ensure that the vinyl panels of the door are protected.

The filler panel is stored by rolling up the fabric and fastened using the fabric tabs.

If storage space is limited, the door can be disassembled.

- Remove the zipper inserts. Identify and mark each side for easier assembly later.
- Detach and remove the top door assembly. It is not necessary to remove the union fittings from the bottom half of the door.
- Mark the mounting holes on the roller tube brackets, and then remove the brackets from the door.

COMPONENT CHECKLIST



* Two zipper sets are included with the door kit. Compare the zipper insert assemblies with the room panel. Use the set that matches the panels.

AAR503sm

Reference Publications located @ www.carefreeofcolorado.com:

- 056503-001 Standard Add-A-Room and Breezeway Installation Manual
- 056503-011 LTD Add-A-Room Installation Manual
- 056503-021 Flat Pitch Add-A-Room Installation Manual
- 056504-001 Snapless Upgrade Kit
- 056505-001 Hard Door Upgrade Installation

VELCRO® is the registered trade name of Velcro Industries. The term "velcro" is used to generically describe the fabric hook and loop fasteners used with the product described in this manual.

LIMITED WARRANTY

Carefree of Colorado (hereafter referred to as Carefree) warrants to the first retail Purchaser that the Carefree Product described in this manual is free of defects in material and workmanship within the terms and conditions as set forth below. Carefree's obligation under this warranty is limited to the repair or replacement, at Carefree's option, of any defective component with new or factory refurbished components.

THIS WARRANTY IS NOT TRANSFERABLE.

1. DURATION

- 1.1. One (1) year on parts and standard freight for hardware and fabric.
- 1.2. Warranty duration is not extended by the length of time the product is not in use or the time that the purchaser is deprived the use of the product. Duration of coverage is determined by the date of the original product purchase, not the date of repairs.

2. WHAT IS COVERED UNDER THIS WARRANTY

Defects in the manufacturer's material and workmanship of product under normal use, and which occur within the duration of the warranty period. The following components are covered only as listed:

- 2.1. Fabric – Free from quality defects (normal wear and fading excluded).
- 2.2. Extrusions and Hardware - Free from defects.
- 2.3. Freight - Warranty part order shipments that qualify for freight to be prepaid by Carefree will be shipped Ground UPS or by a Common Carrier of Carefree's choice. Expedited freight is not covered under warranty; customer is responsible for any and all expedited freight charges.

3. WHAT IS NOT COVERED UNDER THIS WARRANTY

- 3.1. Damages not reported at time of purchase/receipt.
- 3.2. Damages or failures not related to the material or workmanship of the product including any failure that results from neglect, accident, wind, rain, water pooling, weather or other acts of God.
- 3.3. Purchaser's abuse, including but not limited to neglect; failure to operate, use or maintain the product in accordance with the instructions provided with the product and available on line at www.carefreeofcolorado.com.
- 3.4. Improper installation and/or any damage/failure that is a result of improper installation or adjustment of the product/component, including fabric damage.
- 3.5. Normal wear, including the occasional need to adjust the product.
- 3.6. Any component not sold or manufactured by Carefree.
- 3.7. Any failure that results from the use of another manufacturer's product with a Carefree product that is not specifically approved in writing by Carefree.
- 3.8. Any incidental, indirect, or consequential loss, damage or expense that may result from any defect, failure, or malfunction of the Carefree product.
- 3.9. The removal or alteration of any product component or device. In the event of such removal or alteration, this warranty is void.
- 3.10. Any expense related to delivery or pick-up of product to/from the service dealer; including travel time, transport costs and/or service call charges.

4. RESPONSIBILITIES OF THE PURCHASER

IN ORDER FOR THE WARRANTY TO BE HONORED, THE PURCHASER MUST HAVE PROOF OF PURCHASE: THE ORIGINAL RECEIPT OR THE PRODUCT WARRANTY REGISTRATION ON FILE AT CAREFREE. FAILURE TO PROVIDE THE REQUIRED DOCUMENTATION MAY DELAY OR VOID ANY WARRANTY CLAIM.

- 4.1. Retain dated proof of purchase for specified product, and provide it as requested.
- 4.2. Inspect the room upon purchase/receipt to confirm the condition of the fabric, hardware and operation of product/components.
- 4.3. Perform recommended maintenance as specified in the product literature furnished with the product and available online at www.carefreeofcolorado.com.
- 4.4. Use reasonable care in the operation, use and storage of the product in accordance with the instructions contained in the product literature furnished with the product and available online at www.carefreeofcolorado.com.

5. WARRANTY CLAIM PROCEDURE

- 5.1. Deliver any product claimed or found defective during warranty period to a Carefree authorized service dealer. Visit www.carefreeofcolorado.com for the name of nearest authorized service dealer.
- 5.2. All returns are for product replacement only. No returns for cash or credit are accepted.
- 5.3. The customer shall pay only those costs not covered by this warranty.

6. THIS WARRANTY GIVES THE OWNER SPECIFIC LEGAL RIGHTS. THE LAWS OF CERTAIN JURISDICTIONS MAY GRANT THE OWNER ADDITIONAL RIGHTS AND PRIVILEGES. Except as set forth above, Carefree makes no warranty, whether statutory or otherwise, including without limitation, any warranty of merchantability or fitness for a particular purpose. Carefree shall have no liability except to repair, replace or adjust defective products and parts. Carefree specifically excludes any liability, whether in contract, tort or otherwise, for personal injury, property damage, economic or consequential losses.
7. Carefree does not authorize any person or company to alter the terms of this warranty.
8. Carefree reserves the right to make changes in design and components, without notice, whenever it is believed the quality of the product will be improved, but without incurring any obligation to incorporate such improvements in any product that has been shipped or in service.

Register your Carefree products on-line at
www.carefreeofcolorado.com