



ONE-Touch 12-VOLT PATIO AWNING

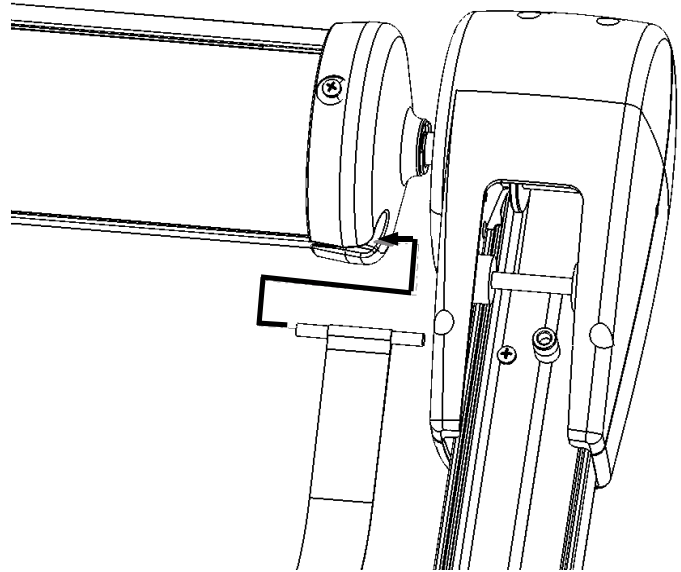
ASSIST STRAP INSTRUCTIONS

052944

In extreme windy conditions or, if leaving your campsite, the ONE-Touch PATIO AWNING, like any other awning, should be rolled up into the travel position. If a situation arises where you need to roll the awning up during extreme windy conditions, this Assist Strap should be used as an aid to help control the awning as it rolls up to the travel position. When conditions are normal, the Assist Strap is not required to put the awning away. The strap is only needed to assist in strong wind situations.

TO INSTALL THE STRAP INTO THE ROLLER TUBE SIMPLY FOLLOW THESE STEPS:

1. Locate the open slot in the end cap at either end of the roller tube.
2. Insert the rod portion of the Assist Strap into the slot as shown to the right. Slide the Assist Strap to the center of the roller assembly. You are now ready to retract your awning.



TO RETRACT AWNING:

If you have a remote control for the ONE-Touch AWNING, push the retract button on the remote control allowing the awning to start rolling up to the travel position while holding on to the assist strap. This will help you control the awning if it starts collapsing from the wind as the awning rolls in.

If you do not have a remote control then it will be necessary to have to have two people, one pushing the retract button on the key switch panel while the other helps control the awning rolling up with the assist strap.