



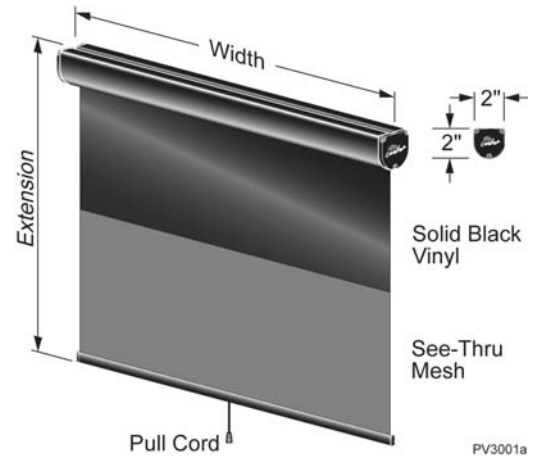
SOFT ASCENT VISOR

The new SOFT ASCENT VISOR offers features to improve installation and operation. These include:

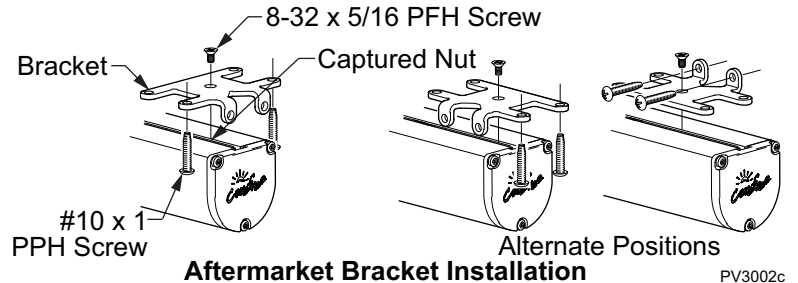
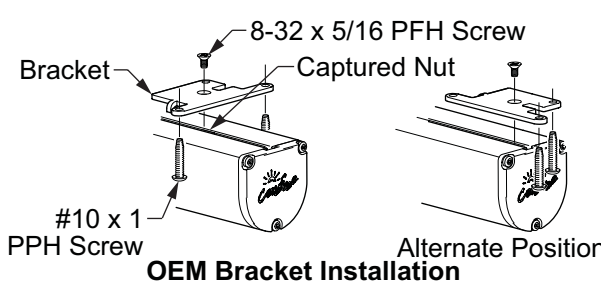
- ◆ A smaller case profile;
- ◆ Horizontal mounting brackets that provide greater mounting flexibility and reduced installation labor;
- ◆ The spring locking mechanism eliminates the need for locking levers

SPECIFICATIONS

WIDTHS:	24", 30", 36", 40", 43"
EXTENSION:	36"
COLOR:	Black



INSTALLATION



1. Determine the best orientation and attach the mounting brackets to the visor.
2. Position the visor in the area to be mounted and mark the location of the mounting holes.
3. Drill four (4) 1/8" pilot holes for the mounting screws.
4. Lift the visor in position and attach in the holes drilled in step 3.

OPERATION

TO LOWER THE VISOR, pull the lead rail down to the desired height then gently allow the visor to rise to catch in position. TO RAISE THE VISOR, sharply pull down about 3/4" then release. The visor will retract in a smooth, steady motion; without the harsh snap often associated with spring-loaded shades.

CARE AND MAINTENANCE

1. Use a quality vinyl cleaner or warm water with a natural soap (never detergent) and gently clean the fabric. Do not scrub. **Do not use bleach or abrasive cleansers.**
2. Allow the fabric to dry thoroughly before retracting.
3. Periodically inspect and tighten any loose screws as necessary.

LIMITED WARRANTY

Carefree of Colorado (hereafter referred to as Carefree) warrants to the FIRST retail Purchaser that the Soft Ascent Visor is free of defects in material and workmanship for one (1) year from original date of purchase.

This warranty does not apply to damages that are the result of improper installation, misuse or neglect. In addition, wear and fading from normal use is excluded from this coverage.

WARRANTY CLAIM PROCEDURE

1. Retain a copy of the original purchase receipt.
2. If the product is found defective within the warranty period, return the product along with the original purchase receipt to your qualified Carefree dealer.
3. All returns are for product replacement only. No returns for cash or credit are accepted.
4. Carefree does not cover any costs associated with delivery or return of the product.

Carefree of Colorado
a Scott Fetzer company

2145 W. 6th Avenue Broomfield, CO 80020
303-469-3324 ♦ www.carefreeofcolorado.com