



Quality • Value
Performance • Style

SPECIFICATION SHEET

TRUCKIN' AWN

An awning specifically designed for the truck camper rear entry door.

- The Truckin' Awn keeps the rain out and keeps the entry way cool.
- The adjustable arms allows the awning pitch to be adjusted.
- Available as a standard (manually deployed) vinyl awning with a 36" projection or as an auto-rafter awning with a 46" projection.
- The Auto-Rafter model automatically locks for easy set-up. Includes extruded aluminum awning rail, hinged arms and braces.

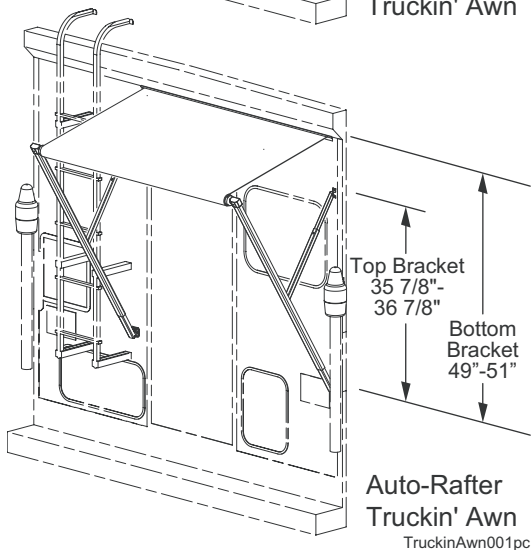
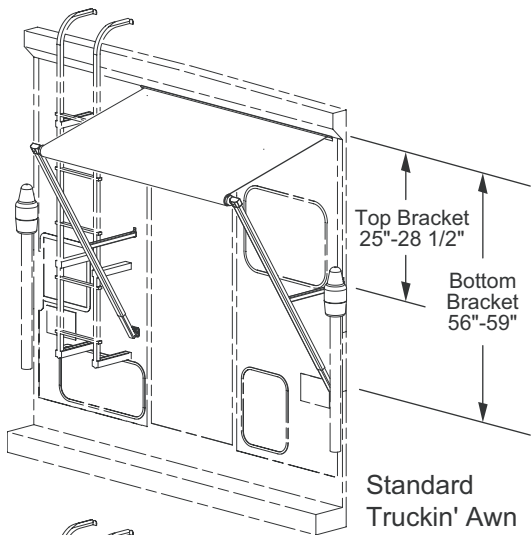


SPECIFICATIONS

EXTENSION: Standard: 36" Auto Rafter Model: 46"

WIDTHS: 3' to 6' (in 6" increments)

COLOR: Hardware: White with White Castings
Fabric: Vinyl with Weatherguard



MEASURING TIPS:

- Length is measured center of arm to center of arm.
- Fabric will measure 6" less than the overall size selected.
- Verify there is at least 3" of horizontal unobstructed mounting space above the door. Decide where the arms will fit and not interfere with lights, ladders, etc.
- Requires 2" of clearance on each side of the arm brackets and arms.
- Truckin' Awn must be able to slide into the awning rail provided.
- Standard vs. Automatic Rafter Models do have different specific measuring criteria, see illustration.

ORDERING:

You will need to know the following information:

- Length.
- Standard or Auto Rafter.
- Canopy color and choice of fabric.
- White or Matching Weatherguard Color.
- All orders are custom and Non-Returnable.

SHIPPING:

- All Truckin' Awn's ship UPS.

ON-LINE AT WWW.CAREFREEOFCOLORADO.COM

- ◆ Product Manuals ◆ Fabric Options ◆ Warranty Information