

# PATIO AWNINGS

## Vertical Arm Patio Awnings

TITLE	PAGE
<b>COLOR CODE CHART - STANDARD COLORS</b> .....	<b>2</b>
<b>ARMS</b> .....	<b>4</b>
<i>ARM PROFILES</i> .....	4
ARM SERIES CHANNEL REPLACEMENT CHART .....	5
<b>ECLIPSE</b> .....	<b>6</b>
ECLIPSE ORDER FORM .....	8
ECLIPSE ARM PART NUMBER CONFIGURATION .....	9
ECLIPSE ROLLER PART NUMBER CONFIGURATION .....	9
<i>SERIAL NUMBER/PART NUMBER LOCATION</i> .....	9
ECLIPSE ILLUSTRATED PARTS LIST .....	10
<b>TRAVEL'R</b> .....	<b>12</b>
<i>SPECIFICATIONS</i> .....	12
TRAVEL'R ORDER FORM.....	14
TRAVEL'R ARMS PART NUMBER CONFIGURATION .....	15
TRAVEL'R ROLLER PART NUMBER CONFIGURATION .....	15
<i>SERIAL NUMBER/PART NUMBER LOCATION</i> .....	15
TRAVEL'R, FIXED PITCH ILLUSTRATED PARTS LIST .....	16
TRAVEL'R, ADJUSTABLE PITCH ILLUSTRATED PARTS LIST .....	18
<b>FIESTA</b> .....	<b>20</b>
FIESTA ORDER FORM .....	22
FIESTA PART NUMBER CONFIGURATION .....	23
<i>SERIAL NUMBER/PART NUMBER LOCATION</i> .....	23
SPIRIT FX AND FIESTA ILLUSTRATED PARTS LIST .....	24
<b>FIESTA LITE (OEM MODEL)</b> .....	<b>26</b>
<i>SPECIFICATIONS</i> .....	26
<i>SERIAL NUMBER/PART NUMBER LOCATION</i> .....	27
FIESTA LITE ILLUSTRATED PARTS LIST.....	28
<b>PIONEER</b> .....	<b>30</b>
<i>SPECIFICATIONS</i> .....	30
PIONEER ORDER FORM .....	32
PIONEER ROLLER PART NUMBER CONFIGURATION .....	33
<i>SERIAL NUMBER/PART NUMBER LOCATION</i> .....	33
PIONEER ILLUSTRATED PARTS LIST .....	34
<b>PIONEER LITE</b> .....	<b>36</b>
<i>SPECIFICATIONS</i> .....	36
PIONEER LITE ORDER FORM .....	38
PIONEER LITE ROLLER PART NUMBER CONFIGURATION .....	39
<i>SERIAL NUMBER/PART NUMBER LOCATION</i> .....	39
PIONEER LITE ILLUSTRATED PARTS LIST.....	40
<b>DISCONTINUED PRODUCTS</b> .....	<b>42</b>

NOTE: Awnings marked as "OEM Model" are not available for aftermarket installations and upgrades. Information for these models is furnished for service reference.

# PATIO AWNINGS

## COLOR CODE CHART - STANDARD COLORS

### VINYL OPTIONS

### COLOR KEY 1

<b>DENIM STRIPE</b>										
<b>PATIO</b> →	52	Sierra Brown	55	Bordeaux	57	Teal	58	Black/Gray	79	Ocean Blue
Weatherguard	00	White / 52 Brown	00	White / 55 Bordeaux	00	White / 57 Teal	00	White / 58 Black	00	White / 79 Blue
<b>COMPANION</b> →	9D	Sierra Brown	9E	Bordeaux	9F	Teal	9G	Black	9C	Ocean Blue
Weatherguard	00	White / 9D Brown	00	White / 9E Bordeaux	00	White / 9F Teal	00	White / 9G Black	00	White / 9C Blue
<b>DUNE STRIPE</b>										
<b>PATIO</b> →	8A	Sierra Brown	8B	Bordeaux	8C	Teal	8D	Black/Gray	8E	Ocean Blue
Weatherguard	00	White / 8A Brown	00	White / 8B Bordeaux	00	White / 8C Teal	00	White / 8D Black	00	White / 8E Blue
<b>COMPANION</b> →	8A	Sierra Brown	8B	Bordeaux	8C	Teal	8D	Black/Gray	8E	Ocean Blue
Weatherguard	00	White / 8A Brown	00	White / 8B Bordeaux	00	White / 8C Teal	00	White / 8D Black	00	White / 8E Blue
<b>FADES</b>										
<b>PATIO</b> →	LF	Burgundy	LH	Camel	LJ	Blue Slate	LK	Silver	LM	Black
Weatherguard	00	White	00	White	00	White	00	White	00	White
<b>SHALE FADES</b>										
<b>PATIO</b> →	6A	Burgundy	6B	Camel	6C	Blue	6D	Silver	6E	Black
Weatherguard	00	White	00	White	00	White	00	White	00	White
<b>COMPANION</b> →	6A	Burgundy	6B	Camel	6C	Blue	6D	Silver	6E	Black
Weatherguard	00	White	00	White	00	White	00	White	00	White
<b>PREMIUM RT</b>										
<b>PATIO</b> →	7A	Charcoal	7B	Chocolate	7C	Indigo				
Weatherguard	00	White / 7A Charcoal	00	White / 7B Chocolate	00	White / 7C Indigo				
<b>COMPANION</b> →	7A	Charcoal	7B	Chocolate	7C	Indigo				
Weatherguard	00	White / 7A Charcoal	00	White / 7B Chocolate	00	White / 7C Indigo				
		<b>CHECKERED</b>		<b>SOLID PRINT VINYL</b>						
<b>PATIO</b> →	9A	Checkered	00	Solid White	9G	Solid Black				
Weatherguard	00	White	00	White	00	White / 9G Black				
<b>COMPANION</b> →	9A	Checkered	00	Solid White	03	Solid Gray	62	Solid Black		
Weatherguard	00	White								

### SOLID ACRYLIC FABRICS

### COLOR KEY 2

10	Cadet Gray	38	Captain Navy	EA	Linen Tweed	TU	Beige	UY	Green
<i>For custom acrylic colors, go to <a href="http://www.carefreeofcolorado.com">www.carefreeofcolorado.com</a> or <a href="http://www.e-carefree.com">www.e-carefree.com</a>.                      Please note: Custom acrylic colors are offered in solid or horizontal stripes.</i>									

### FULLVIEW FABRICS

### COLOR KEY 3

04	Black	82	Sierra Brown	85	Bordeaux	87	Ocean Blue		
----	-------	----	--------------	----	----------	----	------------	--	--

### POLYWEAVE FABRICS

### COLOR KEY 4

RA	Charcoal	RF	Taupe	RG	Black				
<i>Polyweave available for select OEM installations and replacement canopies only. Limited colors available while supplies last. Polyweave canopies are made with matching Polyweave Weatherguard.</i>									

### ALUMAGUARD/UNIGUARD COLORS

### COLOR KEY 5

25	Polar White	JV	Black	23	Satin				
----	-------------	----	-------	----	-------	--	--	--	--

### SUNBLOCKER/SIDEBLOCKER

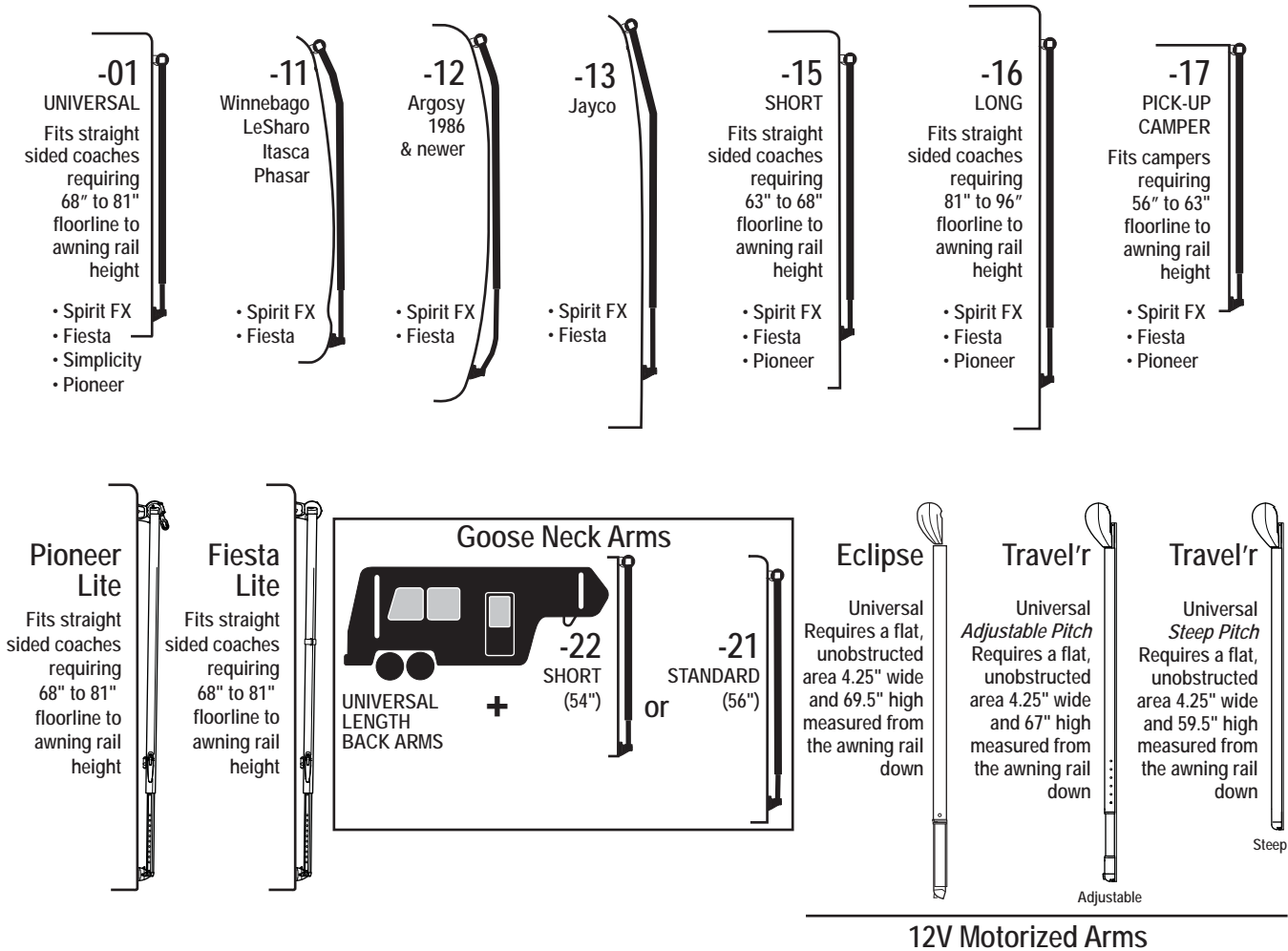
### COLOR KEY 6

82	Sierra Brown	84	Navy	85	Bordeaux	88	Black		
----	--------------	----	------	----	----------	----	-------	--	--



# PATIO AWNINGS

## ARMS

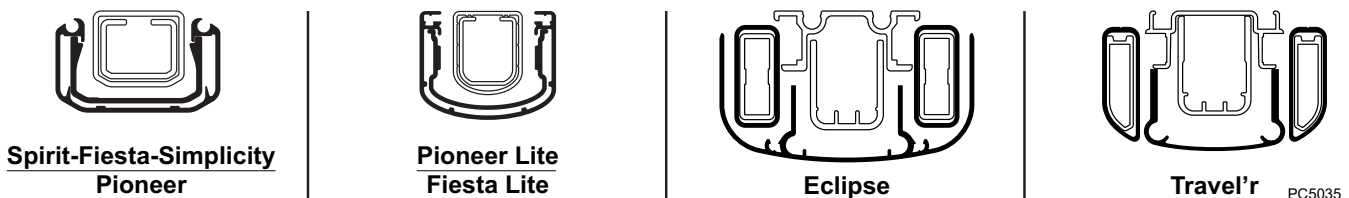


PC5013a

### NOTES:

1. All Spirit FX/Fiesta curved arm applications DO NOT include canopy clamps.
2. Curved hardware is not available for Simplicity.
3. Curved hardware may not always perfectly contour to the RV body.
4. Curved hardware DOES NOT accept Automatic Awning Support or other awning supports.
5. Curved hardware DOES NOT accept Alumaguard or Uniguard rollers.
6. Curved hardware is available in White/White or Satin/Black.
7. Curved hardware cannot be used in the carport position.
8. Please allow 7 day turnaround time for all Curved hardware.
9. All orders are custom and Non-Returnable.
10. Curved hardware cannot be used with the Pioneer

### ARM PROFILES

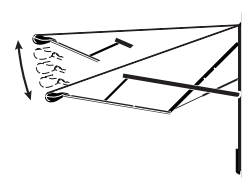
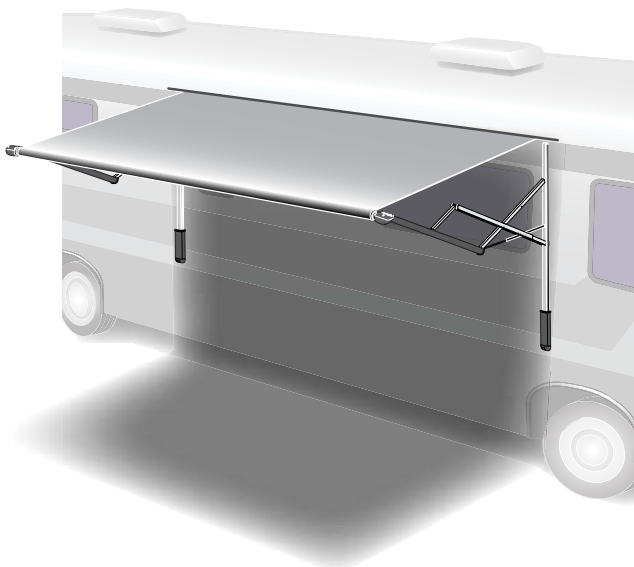


ARM SERIES CHANNEL REPLACEMENT CHART

ARM APPLICATION	ARM SERIES	#1 LENGTH (UPPER MAIN)	#2 LENGTH (LOWER MAIN)	#3 LENGTH (UPPER BRACE)	#4 LENGTH (LOWER BRACE)	AWNING TO FLOORLINE MEASUREMENT
01 UNIVERSAL	straight	66" straight	56" straight	60" straight	40" straight	68"-81"
	Front Arm	R00410-301-XX	R00412-301-XX	R00413-301-XX	R00414-301-X0	
	Rear Arm	R00411-301-XX				
02 AIRSTREAM NLA	curved	NLA	NLA	NLA	45" straight R00414-302-X0	78"-90"
04 CAMBRIA NLA	curved	60" straight	NLA	NLA	NLA	66"-78"
	Front Arm	R00410-315-XX				
	Rear Arm	R00411-315-XX				
05 PREVOST NLA	curved	NLA	56" straight R00412-301-XX	NLA	40" straight R00414-301-X0	72"-76"
06 ELANDON NLA	curved	NLA	NLA	50" straight	50" straight	63"-75"
	Front Arm			R00413-315-XX	R00414-315-X0	
	Rear Arm					
07 AVION NLA	curved	NLA	NLA	NLA	40" straight R00414-301-X0	72"-84"
09 GMC NLA	curved	NLA	NLA	NLA	40" straight	72"-84"
	Front Arm				R00414-301-X0	
	Rear Arm					
11 LE SHARO	curved	60" Bent	52" straight	54" Bent	44" straight	66"-70"
	Front Arm	R00410-311-XX	R00412-317-XX	R00413-311-XX	R00414-310-X0	
	Rear Arm	R00411-311-XX				
12 ARGOSY	curved	66" Bent	56" Bent	54" Bent	44" straight	72"-84"
	Front Arm	R00410-312-XX	R00412-312-XX	R00413-312-XX	R00414-312-X0	
	Rear Arm	R00411-312-XX				
13 JAYCO	curved	69" Bent	46" straight	60" Bent	40" straight	
	Front Arm	R001139-113-XX	R00412-213-XX	R00413-213-XX	R00414-301-X0	
	Rear Arm	R00903-213-XX	R00922-213-XX			
14 HILO	straight	49" straight	48" straight	42" straight	40" straight	52" minimum
	Front Arm	R00410-314-XX	R00412-314-XX	R00413-314-XX	R00414-314-X0	
	Rear Arm	R00411-314-XX				
15 SHORT	straight	60" straight	56" straight	50" straight	50" straight	63"-68"
	Front Arm	R00410-315-XX	R00412-315-XX	R00413-315-XX	R00414-315-X0	
	Rear Arm	R00411-315-XX				
16 LONG	straight	72" straight	62" straight	60" straight	40" straight	81"-96"
	Front Arm	R00410-316-XX	R00412-316-XX	R00413-316-XX	R00414-316-X0	
	Rear Arm	R00411-316-XX				
17 PICKUP CAMPER	straight	55" straight	52" straight	50" straight	50" straight	56" minimum
	Front Arm	R00410-317-XX	R00412-317-XX	R00413-317-XX	R00414-317-X0	
	Rear Arm	R00411-317-XX				
18 XL NLA	straight	NLA	62" straight	NLA	40" straight	96"-110"
	Front Arm		R00412-318-XX		R00414-318-X0	
	Rear Arm					
21 GOOSENECK (STANDARD)	straight	55" strt front arm	52" strt front arm	50" strt front arm	50" strt front arm	56" front arm
		66" strt rear arm	56" strt rear arm	60" strt rear arm	40" strt rear arm	68"-81" rear arm
	Front Arm	R00410-321-XX	R00412-321-XX	R00413-321-XX	R00414-321-X0	
	Rear Arm	R00411-321-XX	R00412-301-XX	R00413-301-XX	R00414-301-X0	
22 GOOSENECK (SHORT)	straight	53" strt front arm	52" strt front arm	48" strt front arm	48" strt front arm	54" front arm
		66" strt rear arm	56" strt rear arm	60" strt rear arm	40" strt rear arm	68"-81" rear arm
	Front Arm	R00410-322-XX	R00412-322-XX	R00413-322-XX	R00414-322-X0	
	Rear Arm	R00411-301-XX	R00411-301-XX	R00413-301-XX	R00414-301-X0	
23 MONACO/ H.R.	straight	72" straight	56" straight	60" straight	40" straight	n/a
	Front Arm	R00410-316-XX	R00412-301-XX	R00413-201-XX	R00414-301-X0	
	Rear Arm	R00411-316-XX	R00412-301-XX	R00413-201-XX	R00414-301-X0	
36 MONACO XXL	straight	NLA	62" straight	66" straight	40" straight	96"-115"
	Front Arm		R00412-216-XX	R00413-337-XX	R00414-301-X0	
	Rear Arm		R00412-216-XX	R00413-337-XX	R00414-301-X0	
PIONEER/UNIVERSAL	straight	R00410-5XX-XX	R00412-5XX-XX	R00413-5XX-XX	R00414-5XX-X0	
		R00411-5XX-XX				
PIONEER LITE UNIVERSAL ONLY	straight	R001667-00X	R001668-00X	R001673-00X	R001669-00X right R001671-00X left	
FIESTA LITE UNIVERSAL ONLY	straight	R001774-00X	R001668-00X	R001673-00X	R001669-00X right R001671-00X left	

NLA = No Longer Available                      XX or X0 = Color; --55 = White; -06 = Satin/Black; -66=Black  
 For inside handle configurations, call Carefree

ECLIPSE



**Adjustable Pitch**

E0103

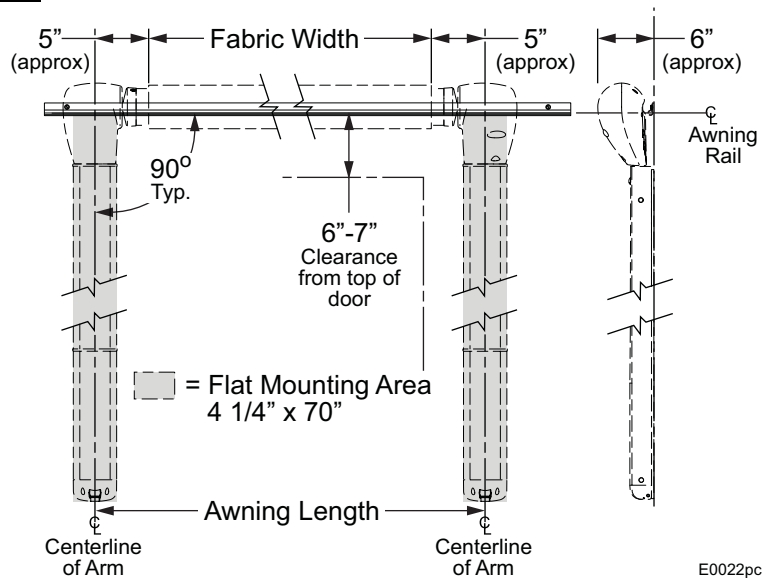
- The unique "scissor" style arms eliminate the need for vertical ground supports.
- Easy to use 6 position pitch adjustment. The pitch can be left in any position and the Eclipse will roll up completely! When the awning is rolled back out, it rolls out to the pitch setting previously set.
- Worm gear style motor is billow proof - eliminates the need for travel locks.
- In the flat (shallow) pitch, the auto-dump feature automatically releases to allow water to run-off to prevent water pooling. When the water is gone, the arms return to the fully extended position.
- Can be installed using a single switch control or with the Direct Response™ electronic system. An RF remote is available with the Direct Response™ system.

**SPECIFICATIONS**

<b>LENGTH</b>	12' - 21' [366 - 640cm]		
<b>EXTENSION:</b>	8' [244cm]	Drop @ Min. Pitch: 12" [30.5cm]	Drop @ Max. Pitch: 40" [102cm]
<i>Values are approximate, actual dimensions may vary with specific installations.</i>			
<b>EXTENSION TIME:</b>	28 Seconds (approx)		<b>RETRACT TIME:</b> 32 Seconds (approx)
<b>POWER REQUIREMENTS:</b>	12VDC (operating range 10VDC to 14VDC)		Circuit Rating: 15 amp
<b>POWER SOURCE:</b>	Motor and controls are routed and hardwired into the vehicle's 12V system		
<b>EMERGENCY RETRACT:</b>	Electrical override system (external power source)		
<b>COLOR:</b>	<i>Hardware:</i>	White, Satin or Black	
	<i>Fabric:</i>	Heavy Duty Vinyl or Acrylic Fabric with Alumaguard or Uniguard	
	<i>Fabric Wrap:</i>	Weatherguard or Metal Wraps: Alumaguard or Uniguard	
<b>OPTIONS:</b>	◆ Direct Response Electronic Package available as an upgrade kit		
	◆ Wireless remote control is available with the Direct Response version.		
	◆ Additional remotes are available.		
	◆ Available as a complete awning or as an upgrade to existing Carefree or A&E awnings with an 8' extension. If upgrading an A&E with a steel roller tube it is also necessary to replace the roller tube with a Carefree aluminum roller tube.		

**MEASURING, INSTALLATION AND ORDERING TIPS:**

- Awning is measured center of arm to center of arm.
  - Canopy is 10" shorter than stated awning size.
  - Roller tube is 7" shorter than stated awning size.
  - Alumaguard is 9" shorter than stated awning size.
  - Uniguard is 7" shorter than stated awning size.
- Arm sets require a flat mounting area 4.25" x 70";
- **Door Clearance Note:**  
The minimum distance from the top of the door to the awning rail:  
6" for Vinyl Weatherguard  
7" for Alumaguard/Uniguard
- **12V Hardwired:** Must be wired into a 12V source inside of the RV. It is recommended that the awning be wired to a dedicated 15 amp circuit.
- All orders are custom and Non-Returnable.

**SHIPPING:**

- Cannot be shipped UPS. Applicable freight charges apply.

**WARRANTY**

The Eclipse Patio Awning is covered by the standard Carefree of Colorado 1 year Limited Warranty.

**ON-LINE AT [WWW.CAREFREEOFCOLORADO.COM](http://WWW.CAREFREEOFCOLORADO.COM)**

- ◆ Product Manuals    ◆ Fabric Options    ◆ Warranty Information

# PATIO AWNINGS

## ECLIPSE ORDER FORM

### STEP 1: SELECT SIZE AND OPTIONAL UPGRADES

1. ARE YOU UPGRADING A CURRENT CAREFREE AWNING OR AN A&E TO AN ECLIPSE?  YES
2. ARE YOU ORDERING A COMPLETE ECLIPSE AWNING?  YES
3. WOULD YOU LIKE TO PURCHASE THE OPTIONAL DIRECT RESPONSE UPGRADE KIT?  YES
4. WOULD YOU LIKE TO PURCHASE THE OPTIONAL WIRELESS REMOTE CONTROL UPGRADE KIT?  YES  
(MUST HAVE A DIRECT RESPONSE SYSTEM)

### STEP 2: SELECT LENGTH

LENGTH:  12'  13'  14'  15'  16'  17'  18'  19'  20'  21'

### STEP 3: SELECT ARM COLOR

#### STANDARD COLORS

WHITE  SATIN  BLACK

FOR A&E UPGRADE WITH EXISTING STEEL ROLLER TUBE, ORDER ALUMINUM ROLLER TUBE OF SAME SIZE (ADD \$100)

### STEP 4: SELECT CANOPY FABRIC AND COLOR (Required for complete awning)

**VINYL OPTIONS - PATIO**  
(COLOR KEY 1)

**ACRYLIC**  
(COLOR KEY 2)  
 **CUSTOM ACRYLIC**

**POLYWEAVE**  
(COLOR KEY 4)

Color Code

Name

Color Code

Name

Color Code

Name

(ACRYLIC REQUIRES ALUMAGUARD/UNIGUARD)

REFER TO THE COLOR CHART FOR STANDARD COLORS. FOR CUSTOM ACRYLIC COLORS, GO TO  
[Carefree Fabric and Hardware Colors](http://www.carefreeofcolorado.com) at [www.carefreeofcolorado.com](http://www.carefreeofcolorado.com)

**PLEASE NOTE: CUSTOM ACRYLIC COLORS ARE OFFERED IN SOLID OR HORIZONTAL STRIPES.**

### STEP 5: SELECT WEATHERGUARD, ALUMAGUARD OR UNIGUARD

#### VINYL WEATHERGUARD

(USED WITH VINYL CANOPY ONLY)

WHITE  MATCHING VINYL

#### ALUMAGUARD

WHITE  SATIN  BLACK

#### UNIGUARD

WHITE  SATIN  BLACK

### STEP 6: DEALERSHIP INFORMATION

DISTRIBUTOR TO BE BILLED THROUGH: \_\_\_\_\_

BRANCH: \_\_\_\_\_

CAREFREE PRESIDENTS CLUB#: \_\_\_\_\_ PO#: \_\_\_\_\_

DEALER NAME: \_\_\_\_\_

ADDRESS: \_\_\_\_\_

CITY: \_\_\_\_\_ STATE: \_\_\_\_\_ ZIP CODE: \_\_\_\_\_

PHONE: \_\_\_\_\_ FAX: \_\_\_\_\_

CONTACT NAME: (IMPORTANT!) \_\_\_\_\_ EMAIL: \_\_\_\_\_

### STEP 7: SHIPPING INFORMATION

STANDARD SHIPPING  NEXT DAY  SECOND DAY (SOME LOCATION RESTRICTIONS MAY APPLY)  
(ALL NEXT DAY AND SECOND DAY AIR FEES ARE PAID BY DEALER)

**MANDATORY!!**  
Order Cannot Be  
Processed Without  
Distributor Name



#### IS THE ORDER INFORMATION ACCURATE AND COMPLETE?

→ Incomplete orders may delay processing & delivery!

→ All orders are custom manufactured and cannot be returned!

*Orders can be placed via*

Your Carefree Distributor or FAX: 1-303-460-8329 or on-line at [www.e-carefree.com](http://www.e-carefree.com)



ECLIPSE ARM PART NUMBER CONFIGURATION

**Example: Part Number VX JV 50 HW**

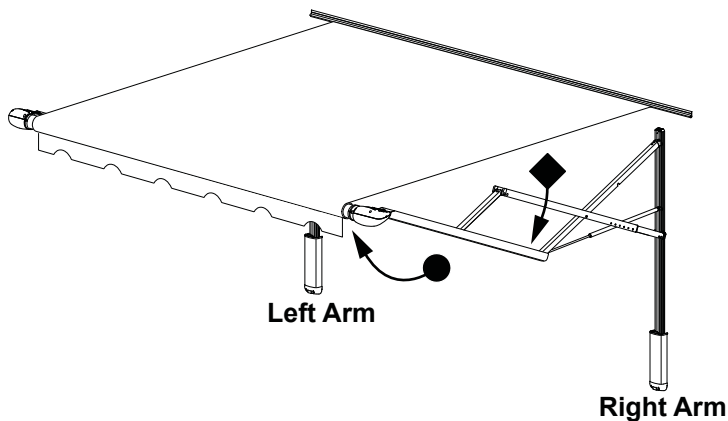
STYLE CODE	COLOR	ARM TYPE	ARM CONFIGURATION/CONTROLS
<b>VX</b>	<b>JV</b>	<b>50</b>	<b>HW</b>
Eclipse	Black	Universal	AM
<b>VX</b> = Eclipse	<b>25</b> = White <b>JE</b> = Black <b>JV</b> = Black <b>23</b> = Satin	<b>50</b> = Universal <b>51</b> = Short (Discontinued) <b>52</b> = XL (Discontinued)	<b>HW</b> = AM, Interior Switch (blank) = OEM, Interior Switch <b>DR</b> = OEM, Direct Response <b>WB</b> = OEM, Winnebago w/ DR AM – Aftermarket or Upgrade uses extended mounting channel and top mounting bracket. OEM – Original Equipment Manufacturer Installation

ECLIPSE ROLLER PART NUMBER CONFIGURATION

**Example: Part Number QJ 18 79 00**

QJ	18	79	00
Vinyl Roller Assy	18' Length	Ocean Blue Canopy	White Vinyl
STYLE CODE	SIZE	CANOPY COLOR	WEATHERGUARD COLOR
<b>QJ</b> = Vinyl	12'	<b>AVAILABLE FABRICS:</b> <b>VINYL OPTIONS – PATIO</b> (COLOR KEY 1) <b>ACRYLIC</b> (COLOR KEY 2) <b>CUSTOM ACRYLIC</b> (SEE NOTES) <b>POLYWEAVE</b> (COLOR KEY 4)  <b>FOR STANDARD COLORS, REFER TO THE COLOR CHART ON PAGE 2 .</b>  <b>FOR CUSTOM ACRYLIC COLORS, GO TO</b> <a href="http://www.carefreeofcolorado.com">Carefree Fabric and Hardware Colors</a> at <a href="http://www.carefreeofcolorado.com">www.carefreeofcolorado.com</a>  <b>PLEASE NOTE: CUSTOM ACRYLIC COLORS ARE OFFERED IN SOLID OR HORIZONTAL STRIPES.</b>	<b>VINYL</b> (N/A POLYWEAVE) 00 = WHITE (XX) = MATCHING VINYL
<b>QL</b> = Acrylic With Alumaguard	13'		<b>ALUMAGUARD / UNIGUARD</b> (COLOR KEY 5)
<b>QK</b> = Vinyl With Alumaguard	14'		
<b>OU</b> = Acrylic With Uniguard	15'		
<b>OT</b> = Vinyl with Uniguard	16'		
	17'		
	18'		
	19'		
	20'		
	21'		

**SERIAL NUMBER/PART NUMBER LOCATION**

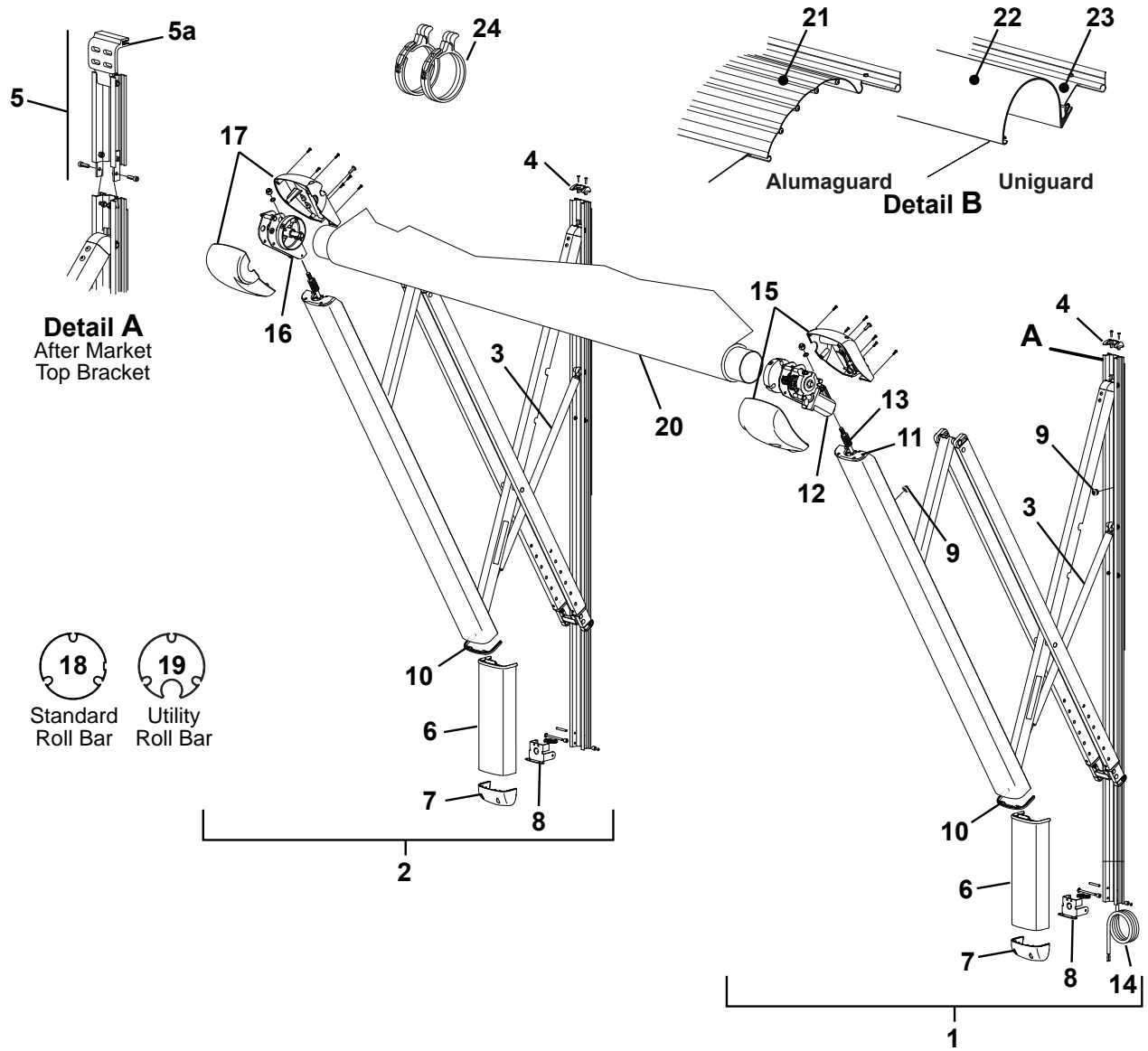


- ◆ Arm part and serial numbers are located on the inside of the lower arm channel.
- Roll bar part and serial numbers are located on the roller tube.

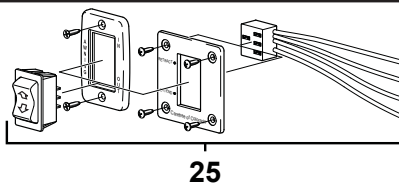
E0048

# PATIO AWNINGS

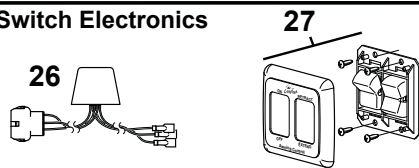
## ECLIPSE ILLUSTRATED PARTS LIST



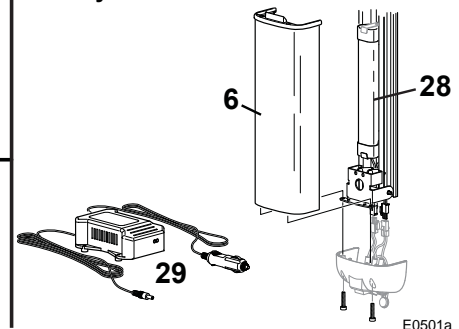
### Single Switch Kit



### Multi-Switch Electronics



### Battery



**For Direct Response Electronics: Refer to "ELECTRONIC SYSTEMS AND COMPONENTS"**

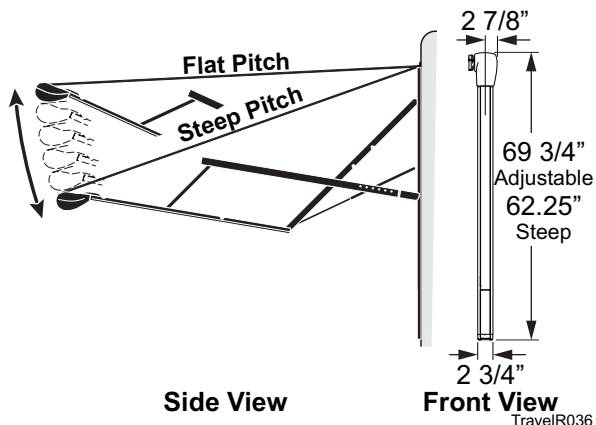
Item	Part Number	Description	Notes
1	Contact Carefree	1/2 Set Hardware, Arm Assy, Motorized, RH	Standard 5,7
2	for Order	1/2 Set Hardware, Arm Assy, Idler, LH	Standard 5,7
	Information		
3	R001099	Gas Shock	42.5" extended length (clevis to clevis)
3a	R001253	Shock Hardware Kit	
4	R001100XXX	Cap, Rail Top	
5	R014635-251	Top Extension Kit (aftermarket installations only)	White 6
	R014635-JV1	Top Extension Kit (aftermarket installations only)	Black 6
5a	R001094XXX	Top Mounting Bracket (aftermarket installation only)	
6	R001102XXX	Fascia	
	R001102XXX-XL	Fascia for XL	
7	R001103XXX	Fascia Cap, No Switch	
8	R001101	Hinge Bracket Kit	
9	901008	Rubber Bumper	
10	R001110XXX	Cap, Channel, Bottom	
11	R001111XXX	Cap, Channel, Top	
12	R001104XXX	Motor Assy	
13	R001323	Kit, Head Attach Hardware	
14	R060414-006	Motor Cable	
15	R001324XXX	Kit, Motor Cover	2
16	R001107XXX	Idler Assy	
17	R001325XXX	Kit, Idler Cover	2
18	19xx00	Roller Tube, 4-slot	3 1/2" Dia
19	15xx00A	Roller Tube, w/ Utility Slot	3 1/2" Dia
20		Canopy	Refer to Canopy Order Form
21	20xx36XXX	Alumaguard Assembly Only	
22	R001246XXX-xxx	Uniguard (includes 4.25" soft connect)	
	R001246XXX-xxxT	Uniguard (includes 5.25" soft connect)	
23	R001247XXX-xxx	Soft Connect	4.25 Wide
	R001247XXX-xxxT	Soft Connect	5.25" Wide
24	901067	Tractioner Kit	pkg of 2
	R001008	O-Ring, Tractioner Retainer	pkg of 2
25	R001605	Kit, Single Switch	3
26	R001112	Relay Module	Multi-Switch
27	R019468-006	Kit, Multiple Switch	Multi Switch 4
28	R001098	Battery	Battery Configuration Only
29	R001097	Battery Charger	Battery Configuration Only
	<i>The following components are not shown</i>		
30	R001509	Owners Kit: Jumper Cable, Manual & Hex Key	
31	R019404-002	Jumper Harness Kit	10' lg
32	041223-006	Foam Tape, Black	
	041223-005	Foam Tape, White	
33	R019291-005	Arm Roller Kit	White
	R019291-006	Arm Roller Kit	Black

- Notes:
1. XXX = Color; xxx = Length in inches.
  2. Cover kits include front cover, rear cover and attaching screws.
  3. Switch kit (item 25) includes switch, faceplates, screws and connector and replaces all previous single switch kits. Components not available separately.
  4. Switch kit (item 27) includes switches, faceplate and screws and replaces all previous multi switch kits. Components not available separately.
  5. After 01-01-2011 all replacement arms will have a 60 7/8" rear extrusion. Aftermarket arms will include item 5 (top extension kit). This change does not affect existing mounting hole locations.
  6. Top extension kit (item 5) includes top mounting bracket (item 5a)
  7. Have arm part # from arm label when calling. (see page 9)

# PATIO AWNINGS

## TRAVEL'R

The Travel'r provides motorized awning comfort with Carefree's standards for style, performance and quality. It is the successful blend of style, quality and economy.



Component dimensions shown.

The Travel'r provides motorized awning comfort with Carefree's standards for looks, strength and dependability. It is the successful blend of style, quality and economy.

- The unique "scissor" style arms provide maximum strength, stability and ease of operation.
- Worm gear style motor is billow proof - eliminates the need for travel locks.
- Available in 2 styles: Fixed Steep Pitch Adjustable Pitch

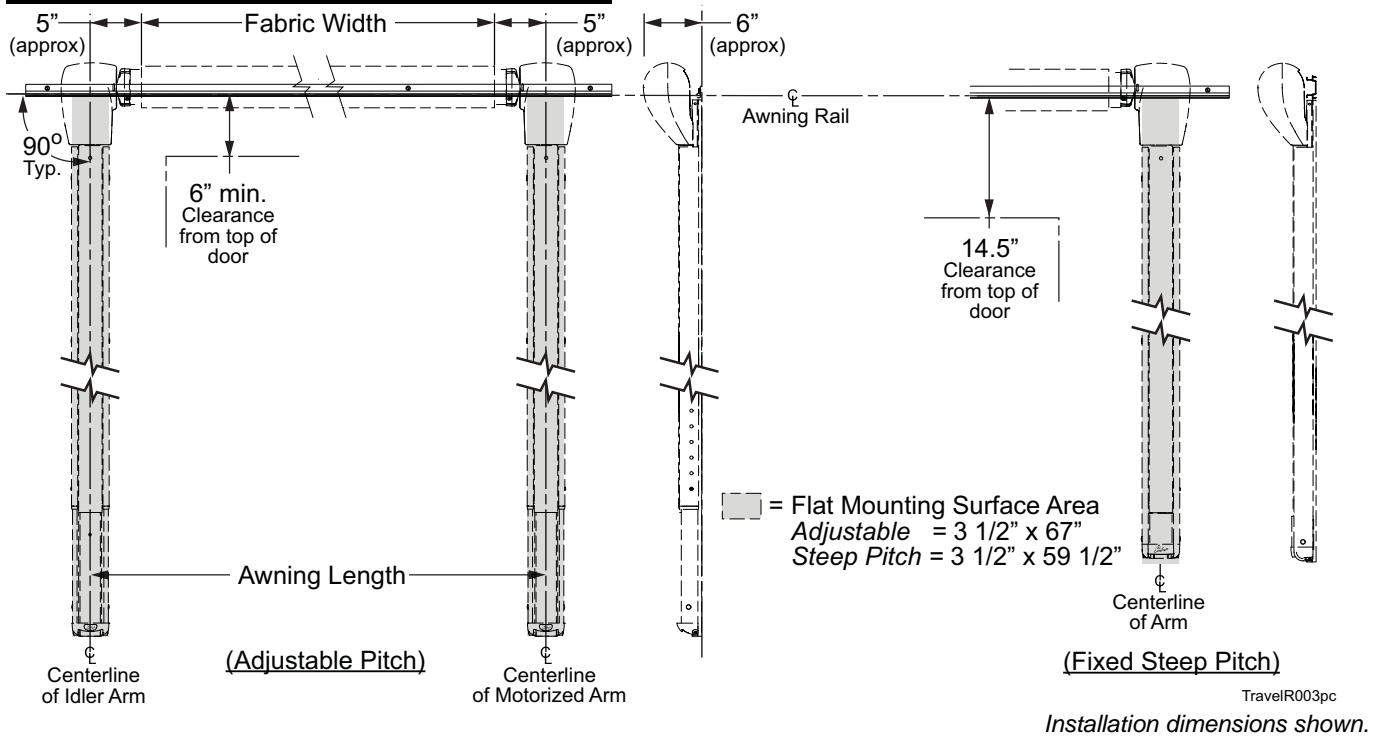
**NOTE:** The Travel'r Fixed Flat Pitch Awning has been discontinued as of 08-2012. This product is no longer available for new product installation. References in this manual to the Fixed Flat Pitch are for service only.

- When the Adjustable Pitch Travel'r is set to the flat pitch, the auto-dump feature automatically releases to allow water to run-off to prevent water pooling. When the water is gone, the arms return to the fully extended position.
- The Adjustable Pitch Travel'r has easy to use 6-position pitch adjustment. The pitch can be left in any position and the awning will roll up completely! When the awning is rolled back out, it rolls out to the pitch setting previously set.
- Can be installed using a single switch control or with the Direct Response™ electronic system.

### SPECIFICATIONS

<b>LENGTH</b>	12' - 21' [366 - 640cm]		
<b>EXTENSION:</b>	8' [244cm]	Drop @ Flat Pitch: 12" [30.5cm]	Drop @ Steep Pitch: 36" [91cm]
	<i>Values are approximate, actual dimensions may vary with specific installations.</i>		
<b>EXTENSION TIME:</b>	28 Seconds (approx)	<b>RETRACT TIME:</b>	32 Seconds (approx)
<b>POWER REQUIREMENTS:</b>	12VDC (operating range 10VDC to 14VDC) Circuit Rating: 15 amp		
<b>POWER SOURCE:</b>	Motor and controls are routed and hardwired into the vehicle's 12V system		
<b>EMERGENCY RETRACT:</b>	Electrical override system (external power source)		
<b>COLOR:</b>	<i>Hardware:</i>	White or Black	
	<i>Fabric:</i>	Vinyl, Polyweave or Acrylic Fabric with Alumaguard or Uniguard	
	<i>Fabric Wrap:</i>	Weatherguard (vinyl) or Metal Wraps: Alumaguard or Uniguard	
<b>OPTIONS:</b>	◆ Direct Response Electronic Package available as an upgrade kit		
	◆ Available as a complete awning or as an upgrade to existing Carefree or A&E awnings with an 8' extension. If upgrading an A&E with a steel roller tube it is also necessary to replace the roller tube with a Carefree aluminum roller tube.		
	◆ An optional Rail Extension Kit available for Mesa & Yoder sidewalls.		

**MEASURING, INSTALLATION AND ORDERING TIPS**



- Awning is measured center of arm to center of arm.
  - Canopy is 10" shorter than stated awning size.
  - Roller tube is 7" shorter than stated awning size.
  - Alumaguard is 9" shorter than stated awning size.
  - Uniguard is 7" shorter than stated awning size.
- Arm sets require a flat unobstructed area (see illustration).

**Door Clearance Note:**

The minimum distance from the top of the door to the awning rail:

	<u>Flat Pitch</u>	<u>Steep Pitch</u>	<u>Adjustable</u>
Square Corner Doors:	7"	15.5"	Height is dependent on expected pitch settings. If in doubt, use the steep pitch values.
Radius Doors:	6"	14.5"	

- **12V Hardwired:** Must be wired into a 12V source inside of the RV. It is recommended that the awning be wired to a dedicated 15amp circuit. Switch is mounted inside.
- Refer to the installation and operations manual.
- All orders are custom and Non-Returnable.

**SHIPPING:**

- Cannot be shipped UPS. Applicable freight charges apply.

**WARRANTY**

The Travel'r Patio Awning is covered by the standard Carefree of Colorado 1 year Limited Warranty.

**ON-LINE AT [WWW.CAREFREEOFCOLORADO.COM](http://WWW.CAREFREEOFCOLORADO.COM)**

- ◆ Product Manuals
- ◆ Fabric Options
- ◆ Warranty Information

# PATIO AWNINGS

## TRAVEL'R ORDER FORM

### STEP 1: SELECT SIZE AND OPTIONAL UPGRADES

1. ARE YOU UPGRADING A CURRENT CAREFREE AWNING OR AN A&E TO A TRAVEL'R? (If so, proceed to step 4)
2. ARE YOU ORDERING A COMPLETE TRAVEL'R AWNING? (If so start here)
3. **LENGTH:**    12'    13'    14'    15'    16'    17'    18'    19'    20'    21'
4. WOULD YOU LIKE TO PURCHASE THE OPTIONAL DIRECT RESPONSE UPGRADE KIT?    **YES**

### STEP 2: SELECT CANOPY FABRIC AND COLOR

<input type="checkbox"/> <b>VINYL OPTIONS - PATIO</b> (COLOR KEY 1)	<input type="checkbox"/> <b>ACRYLIC</b> (COLOR KEY 2) <input type="checkbox"/> <b>CUSTOM ACRYLIC</b>	<input type="checkbox"/> <b>POLYWEAVE</b> (COLOR KEY 4)
<u>Color Code</u> <u>Name</u>	<u>Color Code</u> <u>Name</u> (ACRYLIC REQUIRES ALUMAGUARD/UNIGUARD)	<u>Color Code</u> <u>Name</u>

REFER TO THE COLOR CHART FOR STANDARD COLORS. FOR CUSTOM ACRYLIC COLORS, GO TO [www.carefreeofcolorado.com](http://www.carefreeofcolorado.com) at [www.carefreeofcolorado.com](http://www.carefreeofcolorado.com)

**PLEASE NOTE:** CUSTOM ACRYLIC COLORS ARE OFFERED IN SOLID OR HORIZONTAL STRIPES.

### STEP 3: SELECT WEATHERGUARD, ALUMAGUARD OR UNIGUARD

<b>VINYL WEATHERGUARD</b> (USED WITH VINYL CANOPY ONLY) <input type="checkbox"/> WHITE <input type="checkbox"/> MATCHING VINYL	<b>ALUMAGUARD</b> <input type="checkbox"/> WHITE <input type="checkbox"/> BLACK	<b>UNIGUARD</b> <input type="checkbox"/> WHITE <input type="checkbox"/> BLACK
---	---	---

### STEP 4: SELECT ARM STYLE AND COLOR

<b>ARM STYLE</b> <input type="checkbox"/> STEEP PITCH <input type="checkbox"/> ADJUSTABLE PITCH <input type="checkbox"/> FOR A&E UPGRADE WITH EXISTING STEEL ROLLER TUBE, ORDER ALUMINUM ROLLER OF SAME SIZE (ADD \$100)	<b>STANDARD COLORS</b> <input type="checkbox"/> BLACK <input type="checkbox"/> WHITE
---	--

### STEP 5: DEALERSHIP INFORMATION

DISTRIBUTOR TO BE BILLED THROUGH: \_\_\_\_\_  
BRANCH: \_\_\_\_\_

CAREFREE PRESIDENTS CLUB#: \_\_\_\_\_ PO#: \_\_\_\_\_

DEALER NAME: \_\_\_\_\_

ADDRESS: \_\_\_\_\_

CITY: \_\_\_\_\_ STATE: \_\_\_\_\_ ZIP CODE: \_\_\_\_\_

PHONE: \_\_\_\_\_ FAX: \_\_\_\_\_

CONTACT NAME: (IMPORTANT!) \_\_\_\_\_ EMAIL: \_\_\_\_\_

**MANDATORY!!**  
Order Cannot Be  
Processed Without  
Distributor Name

### STEP 6: SHIPPING INFORMATION

STANDARD SHIPPING    NEXT DAY    SECOND DAY (SOME LOCATION RESTRICTIONS MAY APPLY)  
(ALL NEXT DAY AND SECOND DAY AIR FEES ARE PAID BY DEALER)



**IS THE ORDER INFORMATION ACCURATE AND COMPLETE?**

→ *Incomplete orders may delay processing & delivery!*

→ *All orders are custom manufactured and cannot be returned!*

*Orders can be placed via*

Your Carefree Distributor or FAX: 1-303-460-8329 or on-line at [www.e-carefree.com](http://www.e-carefree.com)

TRAVEL'R ARMS PART NUMBER CONFIGURATION

**Example: Part Number OV JV 50 HW**

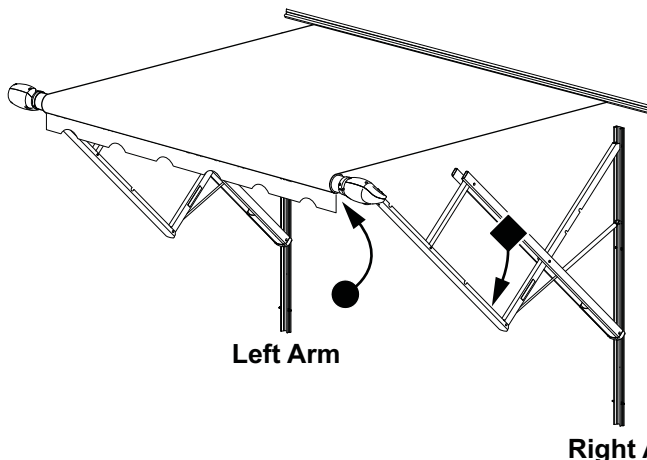
STYLE CODE	COLOR	ARM TYPE	ARM CONFIGURATION/CONTROLS
<b>OV</b>	<b>JV</b>	<b>AP</b>	<b>HW</b>
Travel'r	Black	Adjustable Pitch	AM
<b>OV</b> = Travel'r	<b>25</b> = White <b>JV</b> = Black	<b>50</b> = Flat Pitch (Discontinued) <b>53</b> = Steep Pitch <b>AP</b> = Adjustable Pitch	<b>HW</b> = AM, Standard Arms (blank) = OEM, Standard Arms All models use a Single Interior Switch. <i>AM</i> – Aftermarket or Upgrade uses top mounting bracket. <i>OEM</i> – Original Equipment Manufacturer Installation

TRAVEL'R ROLLER PART NUMBER CONFIGURATION

**Example: Part Number QJ 18 79 00**

<b>QJ</b>	<b>18</b>	<b>79</b>	<b>00</b>
Vinyl Roller Assy	18' Length	Ocean Blue Canopy	White Vinyl
STYLE CODE	SIZE	CANOPY COLOR	WEATHERGUARD COLOR
<b>QJ</b> = Vinyl	12'	<b>AVAILABLE FABRICS:</b>	<b>VINYL (N/A POLYWEAVE)</b>
<b>QL</b> = Acrylic With Alumaguard	13'	<b>VINYL OPTIONS – PATIO</b> (COLOR KEY 1)	<b>00</b> = WHITE <b>(XX)</b> = MATCHING VINYL
<b>QK</b> = Vinyl With Alumaguard	14'	<b>ACRYLIC</b> (COLOR KEY 2)	<b>ALUMAGUARD / UNIGUARD</b> (COLOR KEY 5)
<b>OU</b> = Acrylic With Uniguard	15'	<b>CUSTOM ACRYLIC</b> (SEE NOTES)	
<b>OT</b> = Vinyl with Uniguard	16'	<b>POLYWEAVE</b> (COLOR KEY 4)	
	17'	<b>FOR STANDARD COLORS, REFER TO THE COLOR CHART ON PAGE 2.</b>	
	18'	<b>FOR CUSTOM ACRYLIC COLORS, GO TO</b>	
	19'	<b><a href="http://www.carefreeofcolorado.com">Carefree Fabric and Hardware Colors</a> at <a href="http://www.carefreeofcolorado.com">www.carefreeofcolorado.com</a></b>	
	20'	<b><u>PLEASE NOTE:</u> CUSTOM ACRYLIC COLORS ARE OFFERED IN SOLID OR HORIZONTAL STRIPES.</b>	
	21'		

**SERIAL NUMBER/PART NUMBER LOCATION**

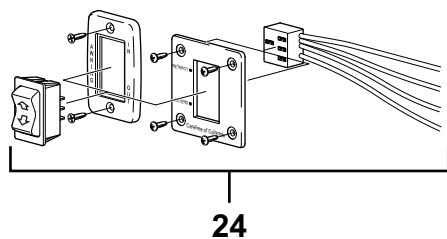
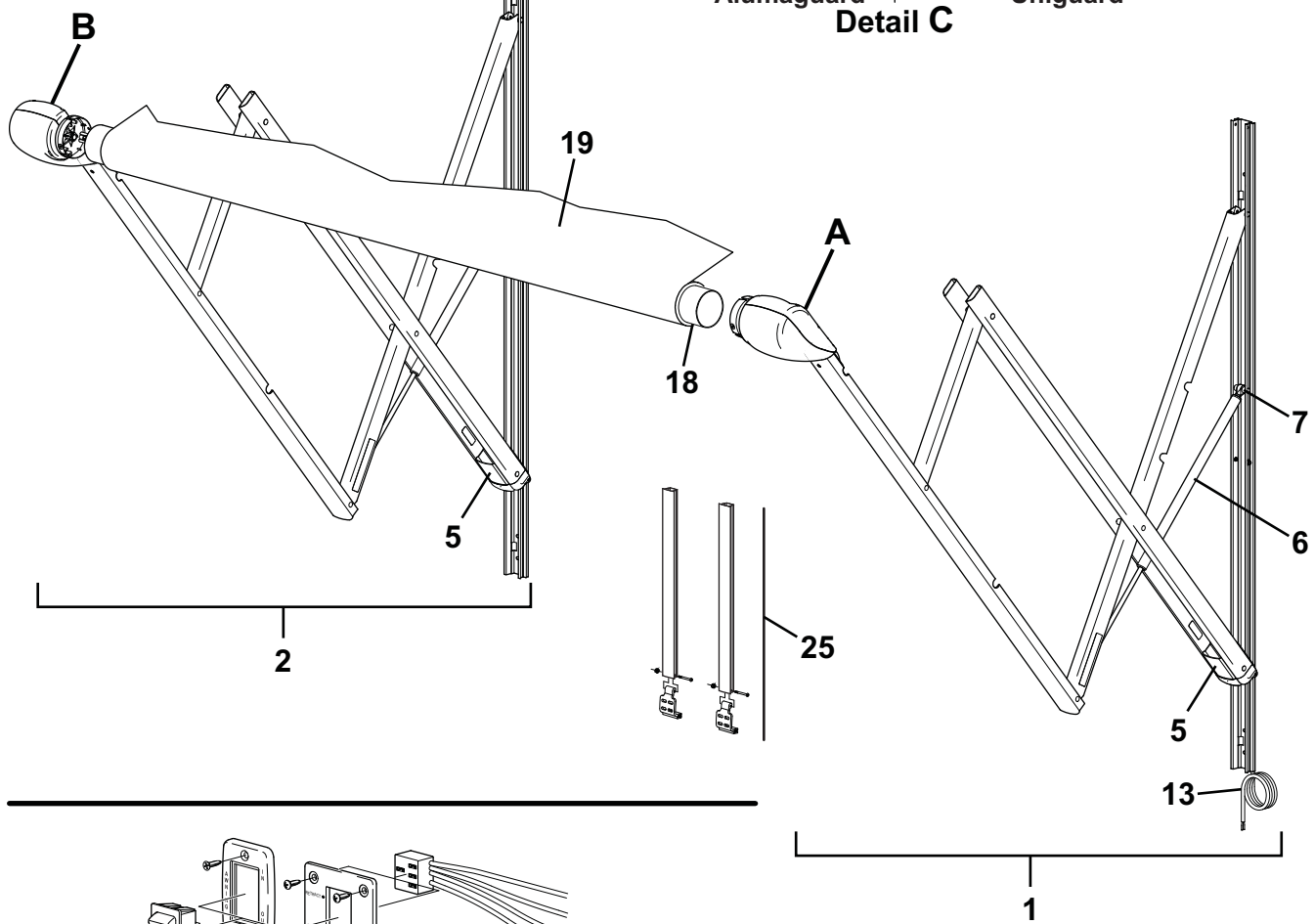
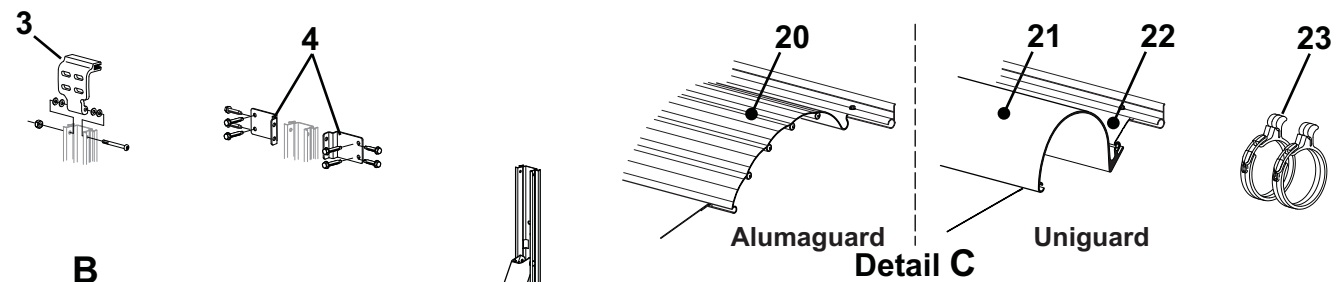
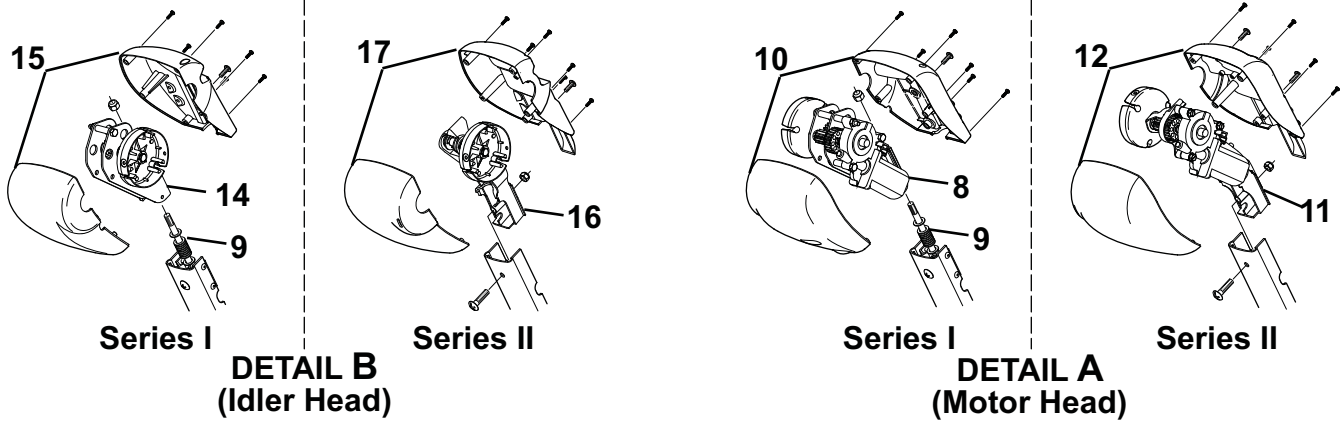


- ◆ Arm part and serial numbers are located on the inside of the lower arm channel.
- Roll bar part and serial numbers are located on the roller tube.

TravelR013

# PATIO AWNINGS

## TRAVEL'R, FIXED PITCH ILLUSTRATED PARTS LIST

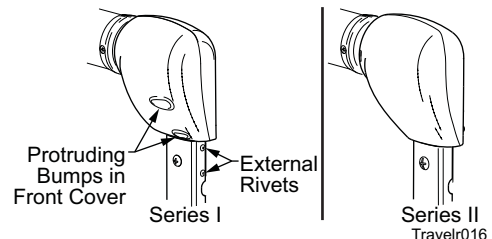


TravelR502a



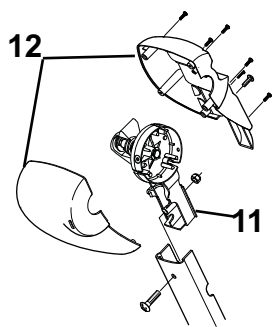
Item	Part Number	Description	Notes
1	NLA	1/2 Set Hardware, Arm Assy, Motorized, RH	Flat Pitch 1,2,7
	R001507XXX	1/2 Set Hardware, Arm Assy, Motorized, RH	Steep Pitch 1,2
2	NLA	1/2 Set Hardware, Arm Assy, Idler, LH	Flat Pitch 1,2,7
	R001508XXX	1/2 Set Hardware, Arm Assy, Idler, LH	Steep Pitch 1,2
3	R001094XXX	Top Mounting Bracket	Used w/ Aftermarket Only 1
4	R019319-105	Quick Mount Bracket Kit (includes 4 brackets and hardware)	White
	R019319-106	Quick Mount Bracket Kit (includes 4 brackets and hardware)	Black
	R019320-105	Quick Mount Bracket Kit (includes 2 brackets and hardware)	White
	R019320-106	Quick Mount Bracket Kit (includes 2 brackets and hardware)	Black
5	R001532XXX	Fascia, 11", Flat Pitch	qty: 1 1,3
	R001740XXX	Fascia, 3", Steep Pitch	qty: 2 1
6	R001252	Gas Shock, 42.5" extended length (clevis to clevis)	Flat Pitch
	R001331	Gas Shock, 37" extended length (clevis to clevis)	Steep Pitch
7	R001576	Shock Hardware Kit	
8	R001104XXX	Motor Assy	Series I 1,8
9	R001323	Kit, Head Attach Hardware	Series I 1,8
10	R001324XXX	Kit, Motor Cover	Series I 1,4,8
11	R001326XXX	Kit, Motor Assy	Series II 1,5,8
12	R001328XXX	Kit, Motor Cover	Series II 1,4,8
13	R060414-006	Cable, Motor	
14	R001107XXX	Idler Assy	Series I 1,8
15	R001325XXX	Kit, Idler Cover	Series I 1,4,8
16	R001327XXX	Kit, Idler Assy	Series II 1,5,8
17	R001329XXX	Kit, Idler Cover	Series II 1,4,8
18	19xx00	Roller Tube,4-slot	3 1/2" Dia
19		Canopy	Refer to Canopy Order Form
20	20xx36XXX	Alumaguard Assembly Only	1
21	R001246XXX-xxx	Uniguard (includes 4.25" soft connect)	1
	R001246XXX-xxxT	Uniguard (includes 5.25" soft connect)	1
22	R001247XXX-xxx	Soft Connect	4.25" Wide 1
	R001247XXX-xxxT	Soft Connect	5.25" Wide
23	901067	Tractioner	set of two
	R001008	O-Ring, Tractioner Retainer	pkg of 2
24	R001605	Kit Single Switch	6
25	R014634-025	Extension Kit, White	
<i>The following parts are not shown</i>			
26	R014492-251	Hardware Pack, w/ Top Bracket	White
	R014492-JV1	Hardware Pack, w/ Top Bracket	Black
27	R019404-002	Jumper Harness Kit	10' lg
28	R001697	Replacement Roller Kit	

- Notes:
1. XXX = Color; xx = Length in inches. WHT=White; BLK=Black
  2. Arm assemblies are configuration specific and cannot be interchanged. When ordering, provide the following information: part number, serial number, flat/steep pitch.
  3. Fascia kit includes one fascia and screws.
  4. Head cover kits include one front cover, one rear cover and screws.
  5. Series II replacement motor and idler assemblies includes screw and nut.
  6. Switch kit includes switch, faceplates, screws and connector. Kit replaces all previous single switch kits.
  7. The Fixed Flat Pitch Travel'r has been discontinued. For replacement arm options, contact Carefree Customer Service.
  8. To distinguish which motor configuration is installed on the awning, look at the motor head. The Series I has two protruding bumps in the front cover. There are also two exposed rivets on each side of the arm channel. The cover for the Series II is smooth and there are no rivets

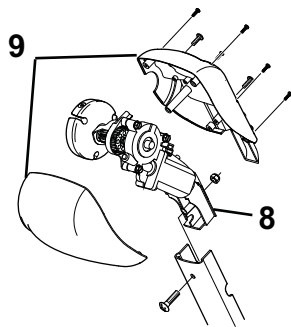


# PATIO AWNINGS

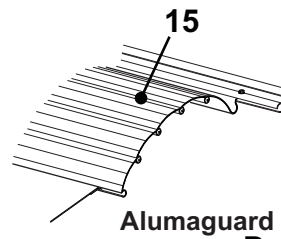
## TRAVEL'R, ADJUSTABLE PITCH ILLUSTRATED PARTS LIST



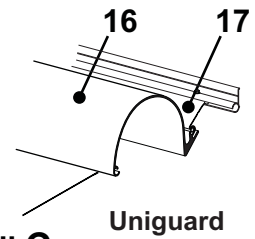
**DETAIL B  
(Idler Head)**



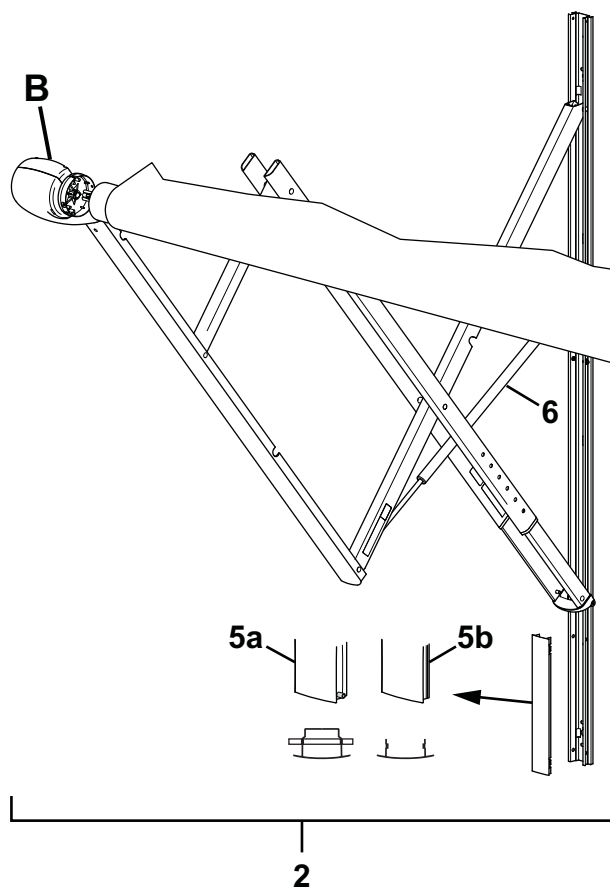
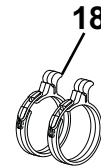
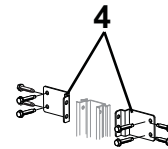
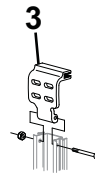
**DETAIL A  
(Motor Head)**



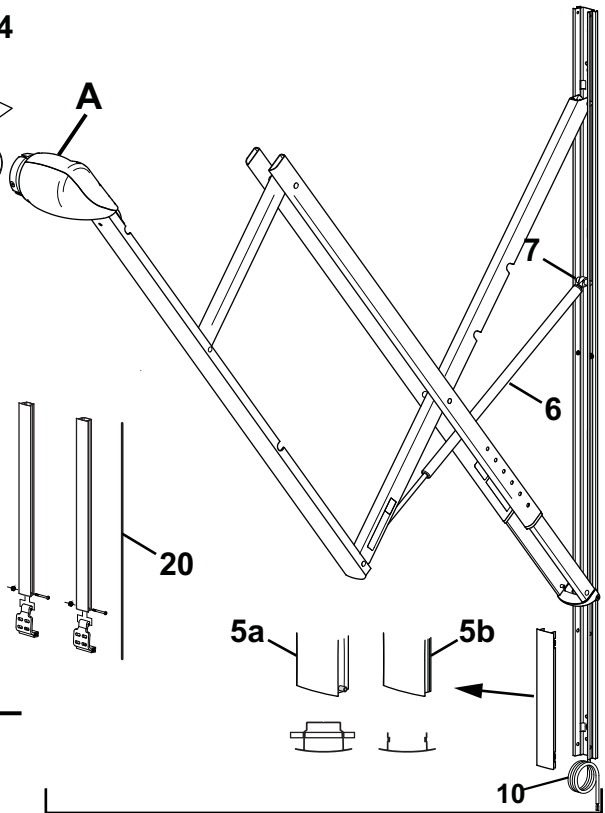
**Alumaguard  
Detail C**



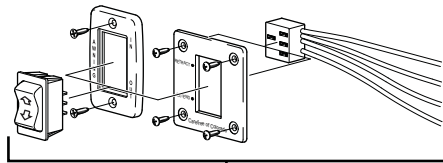
**Uniguard**



**2**



**1**



**19**

TravelR503a

<b>Item</b>	<b>Part Number</b>	<b>Description</b>	<b>Notes</b>
1	R001642XXX	1/2 Set Hardware, Arm Assy, Motorized, RH	1
2	R001643XXX	1/2 Set Hardware, Arm Assy, Idler, LH	1
3	R001094XXX	Top Mounting Bracket	Used w/ Aftermarket Only 1
4	R019319-105	Quick Mount Bracket Kit (includes 4 brackets and hardware)	White
	R019319-106	Quick Mount Bracket Kit (includes 4 brackets and hardware)	Black
	R019320-105	Quick Mount Bracket Kit (includes 2 brackets and hardware)	White
	R019320-106	Quick Mount Bracket Kit (includes 2 brackets and hardware)	Black
5a	R019284-005	Fascia w/ external stop pin, White	pkg 2 4
	R019284-006	Fascia w/ external stop pin, Black	pkg 2 4
5b	R019874-005	Fascia w/o stop, White	pkg 2
	R019874-006	Fascia w/o stop, Black	pkg 2
6	R001252	Gas Shock	
7	R001576	Shock Hardware Kit	
8	R001326XXX	Kit, Motor Assy	1
9	R001328XXX	Kit, Motor Cover	1
10	R060414-006	Cable, Motor	
11	R001327XXX	Kit, Idler Assy	1,2
12	R001329XXX	Kit, Idler Cover	1,2
13	19xx00	Roller Tube, 4-slot	3 1/2" Dia
14		Canopy	Refer to Canopy Order Form
15	20xx36XXX	Alumaguard Assembly Only	1
16	R001246XXX-xxx	Uniguard (includes 4.25" soft connect)	1
	R001246XXX-xxxT	Uniguard (includes 5.25" soft connect)	1
17	R001247XXX-xxx	Soft Connect	4.25" Wide 1
	R001247XXX-xxxT	Soft Connect	5.25" Wide 1
18	901067	Tractioner	set of two
	R001008	O-Ring, Tractioner Retainer	pkg of 2
19	R001605	Switch Kit	3
20	R014634-025	Extension Kit	White
	<i>The following parts are not shown</i>		
21	R014492-251	Hardware Pack, w/Top Bracket	White
22	R014492-JV1	Hardware Pack, w/Top Bracket	Black
23	R019404-002	Jumper Harness Kit	10' lg
24	R001697	Replacement Roller Kit	

- Notes:
1. XXX = Color; xxx= Length in inches.
  2. Head cover kits include one front cover, one rear cover and screws.
  3. Switch kit includes switch, faceplates, screws and connector. Kit replaces all previous single switch kits.
  4. Fascia kits include two fascia plates and screws.

# PATIO AWNINGS

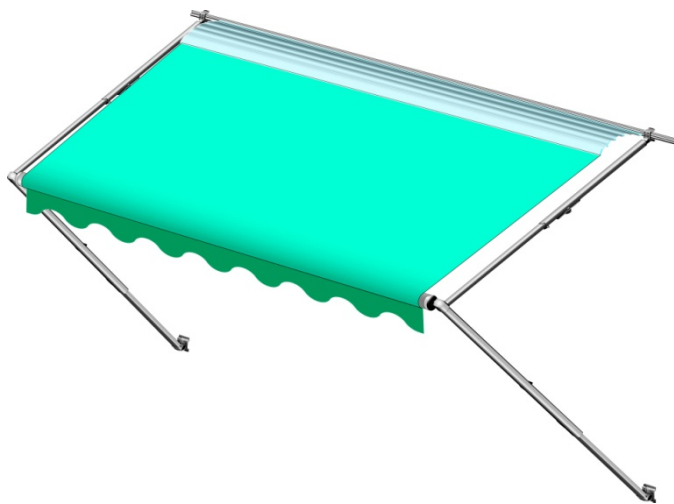
## FIESTA

Carefree's line of traditional manual awnings provide the RV owner with choices of multiple fabrics and options while having some of the strongest and longest lasting hardware in the industry.

- **Fiesta** – The adjustable arms allow the user to adjust the pitch of the awning or can be placed in the carport position when desired. Additional refinements include a remote lock, storage travel locks and canopy clamps to help tension the fabric.

Additional fabrics with Weatherguard or Alumaguard are available.

**NOTE:** The Simplicity and Spirit FX Models have been discontinued as of January, 2013. These products are no longer available for new product installation. References to the Spirit and Simplicity are for service only.



*Awning Shown with Alumaguard*

### FEATURES

EXTENSION <sup>1</sup>	AVAILABLE LENGTHS	BRAKE LEVER RELEASE	ARM TRAVEL LOCK METHOD	ROLL BAR SERIES	CANOPY CLAMP
8' <sup>1</sup>	8' to 25'	Remote Lock	Storage Lock	3.5" (4-slot)	Standard

### HARDWARE COLOR:

White w/ White Castings; Black w/ Black Castings; Satin w/ Black Castings

### FABRIC OPTIONS <sup>2</sup>

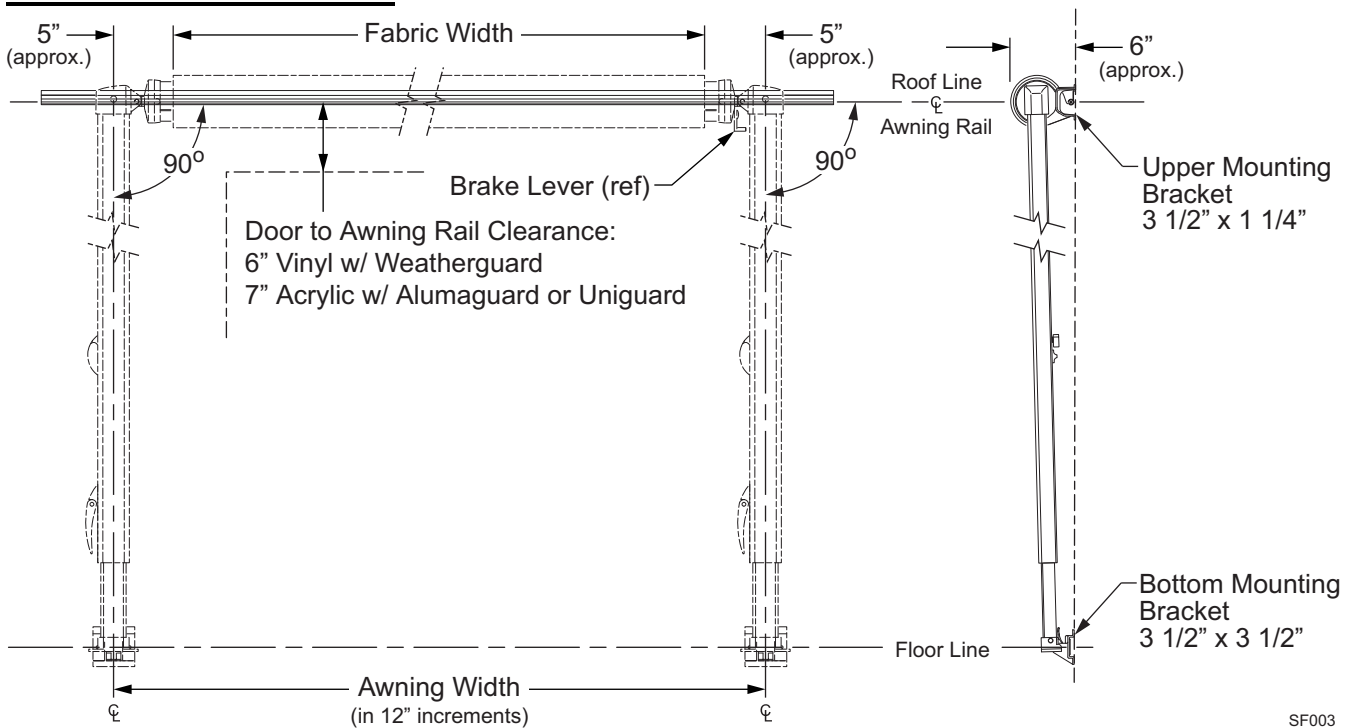
VINYL W/ WEATHERGUARD	VINYL W/ ALUMAGUARD	ACRYLIC W/ ALUMAGUARD
<input checked="" type="checkbox"/>	<input checked="" type="checkbox"/>	<input checked="" type="checkbox"/>

### ADDITIONAL OPTIONS <sup>2</sup>

THIN LITE	TIE DOWN STRAPS	CURVED HARDWARE <sup>5</sup>	CENTER RAFTER <sup>3,4</sup>	ADD-A-ROOM <sup>3,4</sup>
<input checked="" type="checkbox"/>	<input checked="" type="checkbox"/>	<input checked="" type="checkbox"/>	<input checked="" type="checkbox"/>	<input checked="" type="checkbox"/>

- Notes:
1. Optional Hi-Lo Awnings have an extension of 6' 6".
  2. Some options may not be available through Original Equipment Manufacturer Installations.
  3. Consult the sales and order information for specific application availability.
  4. Options are ordered separately.
  5. Curved Hardware is not available for Simplicity. Limited styles for Spirit/Fiesta see page 4.

**INSTALLATION SPECIFICATIONS**



SF003

- Length of the awning is determined by measuring from center of arm to center of arm. Be sure the arms will not interfere with any compartments, lights, mirrors, doors etc.
  - Canopy will measure 10" shorter than the stated awning size.
  - Roller tube will measure 7" shorter than the stated awning size.
  - Alumaguard will measure 9" shorter than the stated awning size.
- If ordering straight hardware: Measure from the center of the awning rail to the floor line, where the bottom brackets will mount. Use this measurement and the ARMS APPLICATION CHART to select the proper arms.
- If ordering curved hardware: Use the ARMS APPLICATION CHART listed to select the proper arms.  
NOTE: Only available in Satin and White.
- Spirit FX, Fiesta & Simplicity can be upgraded to the Pioneer, Eclipse (12'-21') **or** Travel'r (12'-21'). Upgrades are not available with curved arm or Hi-Lo applications.
- Refer to the installation and operations manual. (Available online at [www.carefreeofcolorado.com](http://www.carefreeofcolorado.com))

**ORDERING**

**You will need to know the following information:**

- Length of awning (center of arm to center of arm measurement).
- Hardware Series and color. (Simplicity available in Universal only).
- Canopy fabric and color.
- Weatherguard or Alumaguard or vinyl and color.
- All orders are custom and Non-Returnable.

**SHIPPING:**

- Cannot be shipped UPS. Applicable freight charges apply.

# PATIO AWNINGS

## FIESTA ORDER FORM

### STEP 1: SELECT ARM SERIES AND COLOR

#### ARM SERIES

- UNIVERSAL  
 SHORT  
 LONG  
 GOOSENECK →  STANDARD OR  SHORT  
 CURVED →  #11 OR  #12 (CURVED HARDWARE IS AVAILABLE IN SATIN OR WHITE ONLY)
- PICKUP CAMPER  
 HI-LO

#### STANDARD COLORS

- SATIN (w/ Black Castings)  
 WHITE (w/ White Castings)  
 BLACK (w/ Black Castings)

### STEP 2: SELECT SPRING COLOR

IF ORDERING A ROLLER ASSEMBLY ONLY, PLEASE SPECIFY THE SPRING END CAP COLOR

- WHITE  BLACK

### STEP 3: MEASURE LENGTH (CENTER OF ARM TO CENTER OF ARM)

- 8'  9'  10'  11'  12'  13'  14'  15'  16'  17'  18'  19'  20'  21'  
 22'  23'  24'  25'

### STEP 4: SELECT CANOPY FABRIC AND COLOR

VINYL OPTIONS - PATIO  
(COLOR KEY 1)

ACRYLIC  
(COLOR KEY 2)  
 CUSTOM ACRYLIC

POLYWEAVE  
(COLOR KEY 4)

Color Code

Name

Color Code

Name

Color Code

Name

(ACRYLIC REQUIRES ALUMAGUARD/UNIGUARD)

REFER TO THE COLOR CHART FOR STANDARD COLORS. FOR CUSTOM ACRYLIC COLORS, GO TO  
[Carefree Fabric and Hardware Colors](http://www.carefreeofcolorado.com) at [www.carefreeofcolorado.com](http://www.carefreeofcolorado.com)

PLEASE NOTE: CUSTOM ACRYLIC COLORS ARE OFFERED IN SOLID OR HORIZONTAL STRIPES.

### STEP 5: SELECT WEATHERGUARD, ALUMAGUARD

VINYL WEATHERGUARD  
(USED WITH VINYL CANOPY ONLY)

- WHITE  
 MATCHING VINYL

OR

ALUMAGUARD (UP TO 21')

- SATIN  
 WHITE  
 BLACK

### STEP 6: DEALERSHIP INFORMATION

DISTRIBUTOR TO BE BILLED THROUGH: \_\_\_\_\_  
BRANCH: \_\_\_\_\_

CAREFREE PRESIDENTS CLUB#: \_\_\_\_\_ PO#: \_\_\_\_\_

DEALER NAME: \_\_\_\_\_

ADDRESS: \_\_\_\_\_

CITY: \_\_\_\_\_ STATE: \_\_\_\_\_ ZIP CODE \_\_\_\_\_

PHONE: \_\_\_\_\_ FAX: \_\_\_\_\_

CONTACT NAME: (IMPORTANT!) \_\_\_\_\_ EMAIL: \_\_\_\_\_

**MANDATORY!!**  
Order Cannot Be  
Processed Without  
Distributor Name

### STEP 7: SHIPPING INFORMATION

- STANDARD SHIPPING  NEXT DAY  SECOND DAY (SOME LOCATION RESTRICTIONS MAY APPLY)  
(ALL NEXT DAY AND SECOND DAY AIR FEES ARE PAID BY DEALER)



**IS THE ORDER INFORMATION ACCURATE AND COMPLETE?**

→ Incomplete orders may delay processing & delivery!

→ All orders are custom manufactured and cannot be returned!

Orders can be placed via

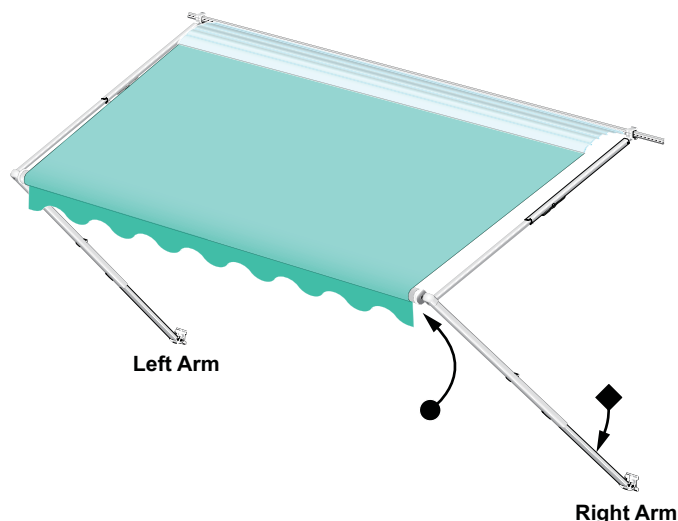
Your Carefree Distributor or FAX: 1-303-460-8329 or on-line at [www.e-carefree.com](http://www.e-carefree.com)

FIESTA PART NUMBER CONFIGURATION

**Part Number: 86187900**

86	18	79	00
FIESTA Vinyl with Black Castings	18' Length	Ocean Blue	White Weatherguard
SERIES CODE	SIZE	CANOPY COLOR	WEATHERGUARD COLOR
<b>FIESTA</b> 86 = Vinyl w/ Black Castings Up To 21'	8'	<b>AVAILABLE FABRICS:</b> <b>VINYL OPTIONS – PATIO</b> (COLOR KEY 1)	<b>VINYL</b> 00 = WHITE (XX) = MATCHING VINYL
EP = Vinyl w/ Black Castings Over 21'	9'	<b>ACRYLIC</b> (COLOR KEY 2)	<b>ALUMAGUARD</b> (COLOR KEY 5)
EA = Vinyl w/ White Castings Up To 21'	10'	<b>CUSTOM ACRYLIC</b> (SEE NOTES)	
ER = Vinyl w/ White Castings Over 21'	11'	<p><b>FOR STANDARD COLORS, REFER TO THE COLOR CHART ON PAGE 2.</b></p> <p><b>FOR CUSTOM ACRYLIC COLORS, GO TO <a href="http://www.carefreeofcolorado.com">Carefree Fabric and Hardware Colors</a> at <a href="http://www.carefreeofcolorado.com">www.carefreeofcolorado.com</a></b></p> <p><b>PLEASE NOTE: CUSTOM ACRYLIC COLORS ARE OFFERED IN SOLID OR HORIZONTAL STRIPES.</b></p>	
SA = Vinyl w/ Alumaguard w/ Black Castings Up To 21'	12'		
SE = Vinyl w/ Alumaguard w/ White Castings Up To 21'	13'		
AB = Acrylic w/ Alumaguard W /Black Castings Up To 21'	14'		
EB = Acrylic w/ Alumaguard w/ White Castings Up To 21'	15'		
	16'		
	17'		
	18'		
	19'		
	20'		
	21'		
	22'		
	23'		
	24'		
	25'		

**SERIAL NUMBER/PART NUMBER LOCATION**

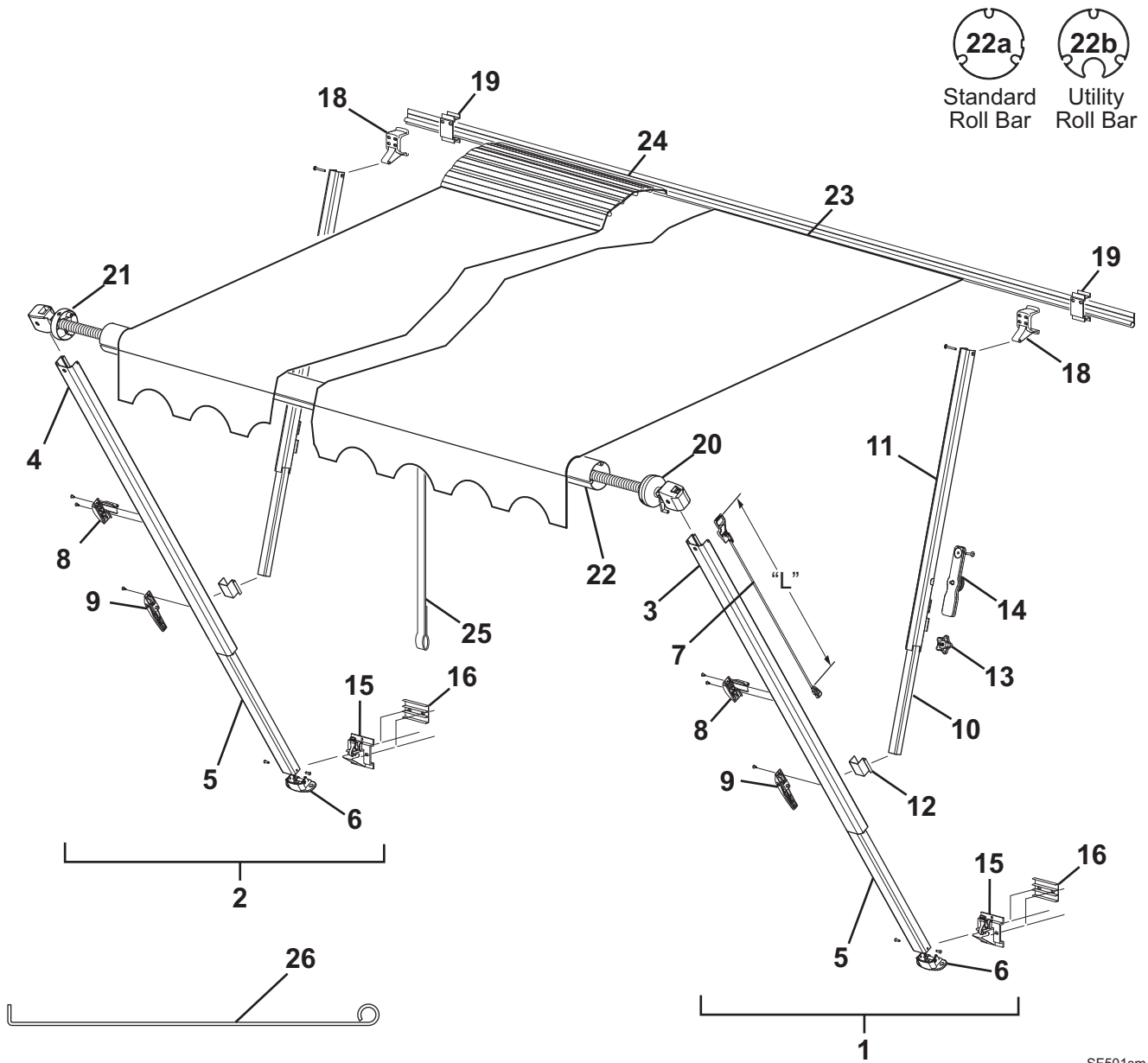


- ◆ Arm part and serial numbers are located on the inside of the lower arm channel.
- Roll Bar part and serial numbers are located on the roller tube.

SF014

# PATIO AWNINGS

## SPIRIT FX AND FIESTA ILLUSTRATED PARTS LIST



SF501sm



Item	Part Number	Description	Notes
1	R00415-3nn-XX	1/2 Set Hardware	Right 1,3
2	R00416-3nn-XX	1/2 Set Hardware	Left 1,3
3	R00410-3nn-XX	Upper Main Arm (includes items 8, 9)	Right 1,3
4	R00411-3nn-XX	Upper Main Arm (includes items 8, 9)	Left 1,3
5	R00412-3nn-XX	Lower Main Arm (includes Item 6)	1,3
6	901020	Carport Foot	Black
	901020W	Carport Foot	White
7	R012803-005	Remote Lock, White L = 38.5"	Universal
	R012803-006	Remote Lock, Black L = 38.5"	Universal
	R012803-105	Remote Lock, White L = 25.4"	Hi-Lo
	R012803-106	Remote Lock, Black L = 25.4"	Hi-Lo
	R012803-405	Remote Lock, White L = 41.5"	Monaco
	R012803-406	Remote Lock, Black L = 41.5"	Monaco
	R012803-505	Remote Lock, White L = 51.8"	Teton
	R012803-506	Remote Lock, Black L = 51.8"	Teton
	R012803-205	Remote Lock, White L = 34.4"	Short
	R012803-206	Remote Lock, Black L = 34.4"	Short
8	901017	Travel Lock, Black	
	901017W	Travel Lock, White	
9	901015W	Handle, White	
	901015	Handle, Black	
10	R00414-3nn-XX	Lower Brace (includes item 12)	1,3
11	R00413-3nn-XX	Upper Brace (includes items 13, 14, 18)	1,3
12	R00405	Brace Slider	
	R00405-2	Brace Slider, Curved Hardware	
	R00549	Brace Slider	Pre 1997
13	901022	Locking Knob	
14	902801W	Canopy Clamp, White	
	902801	Canopy Clamp, Black	
15	901019W	Bottom Bracket, White	
	901019	Bottom Bracket, Black	
16	R00716	Bottom Bracket, Shim, Optional	pkg of 2
18	901018W	Top Bracket, White	
	901018	Top Bracket, Black	
19	249153	Top Bracket Stand-Off	Optional
20	R00926XXX-A	Spring Assy, RH	7' 11" or less 2,4
	R00925XXX-A	Spring Assy, RH	8'-18' 2,4
	R00926XXX-A	Spring Assy, RH	18' 1" and longer 2,4
21	R00923XXX-A	Spring Assy, LH	8'-18' Width 2,4
	R00924XXX-A	Spring Assy, LH	18' 1" and longer 2,4
	R098226-005	Idler End Cap, White (Does Not Include a Spring)	7' 11" or less 2
	R098226-006	Idler End Cap, Black (Does Not Include a Spring)	7' 11" or less 2
22a	19xx00	Roller Tube, 4-slot	3 1/2" Dia
22b	15xx00A	Roller Tube, w/ Utility Slot	3 1/2" Dia
23		Canopy Only	Refer to Canopy Order Form
24	20xx36XXX	Alumaguard Only	
25	901011	Pull Strap	93"
26	901035	Pull Wand	43"
	901035XL	Pull Wand	61"
	<i>The following items are not shown</i>		
	R012479-006	Hardware Pack	Black Castings
	R012479-005	Hardware Pack	White Arms w/ White Castings
	030573	Slider Set Screw	

- Notes: 1. XX = Color:  
 -06 = Satin w/ Black Castings; -55 = White w/ White Castings; 66= Black w/ Black Castings  
 2. Awnings 7'11" and shorter use only one RH spring, no left hand spring.  
 3. nn = Arm style, refer to page 4.  
 4. XXX = Color BLK=Black; WHT=White

# PATIO AWNINGS

## FIESTA LITE (OEM MODEL)

Carefree's newest addition to traditional manual awnings provides the RV owner with choices of hardware and fabric colors. The clean lines of Carefree's Fiesta Lite Patio Awning are stylized to match Carefree's line of Patio Awnings. Built with Carefree's attention to quality, style, value and performance, this awning is the perfect compliment for any RV.

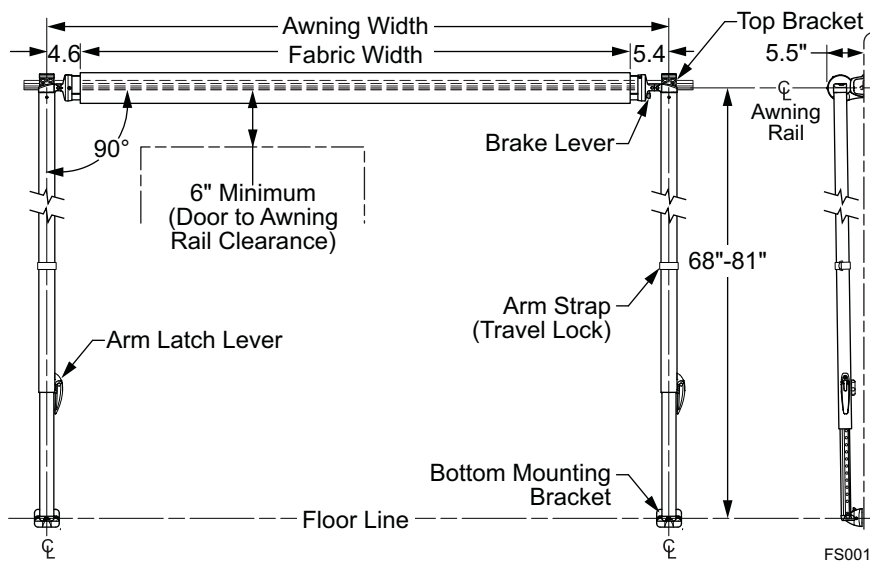
- Simple manual operation.
- When the awning is extended, the arms can be left on the RV or rotated down and placed in the carport position (vertical).
- The pitch can be set to provide the best shade and rain run-off.
- Installation is simple:
  - The fabric is attached using a standard awning rail.
  - Each arm is attached at the top and secured in a spring loaded bracket at the bottom.
- The Fiesta Lite has 16% less weight than the Fiesta.



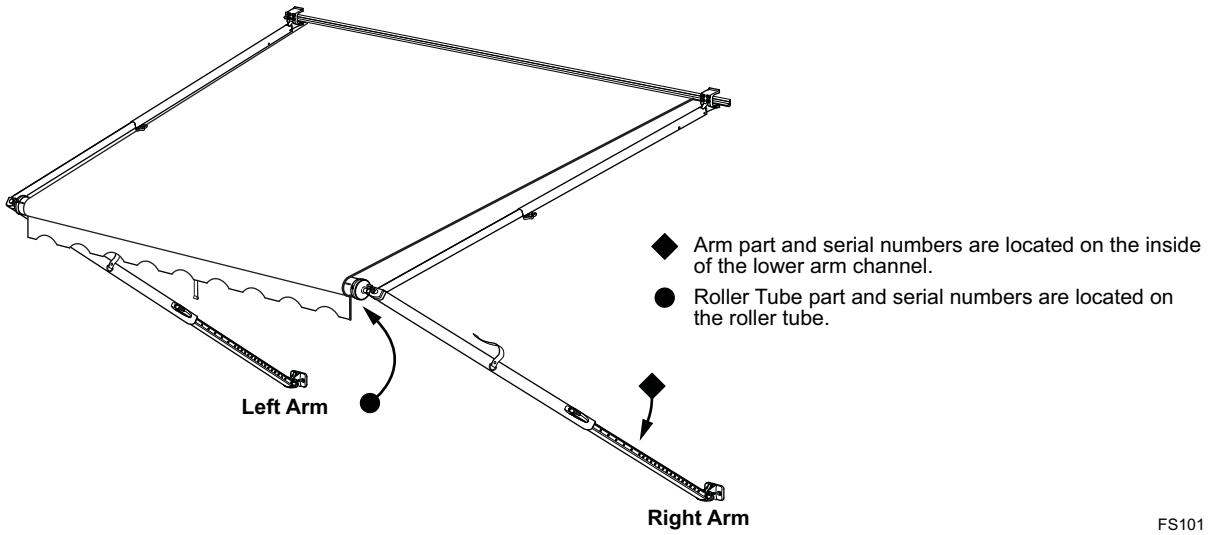
*(Weight comparison based on 14' model, other sizes may vary.)*

### SPECIFICATIONS

<b>LENGTH:</b>	10' [3.6m] to 21' [6.4m] (in 1' [.3m] increments)
<b>FABRIC EXTENSION:</b>	92" [234cm] approximate
<b>POSITIONING CONTROL:</b>	Spring Tension, Manual Brake
<b>:</b>	<i>NOTE: 16' and smaller uses 1 spring; 16' 1" and longer uses 2 springs</i>
<b>COLOR:</b>	<i>Hardware:</i> White or Black
	<i>Fabric:</i> Vinyl
	<i>Fabric Wrap:</i> Weatherguard (vinyl)



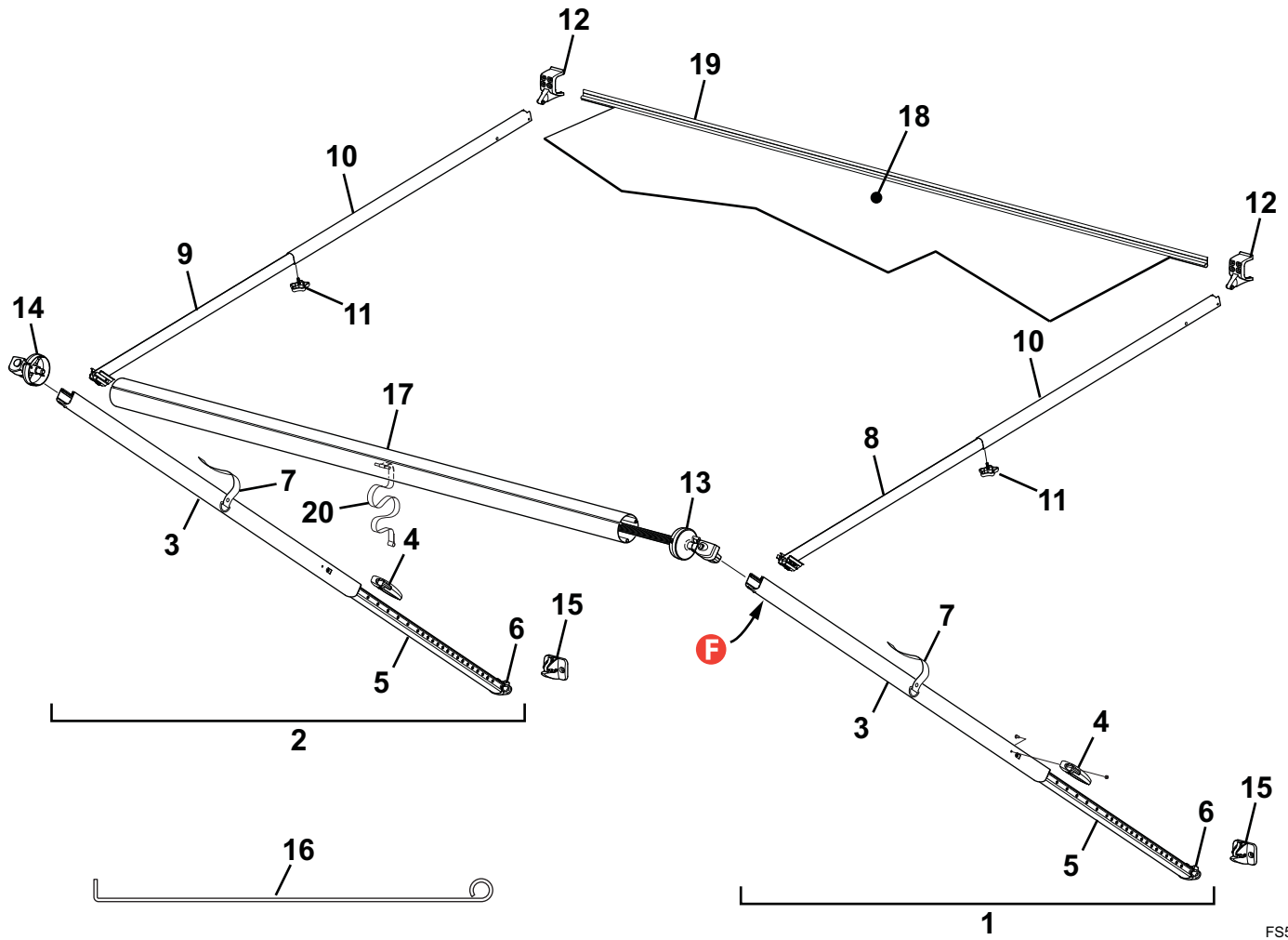
**SERIAL NUMBER/PART NUMBER LOCATION**



FS101

# PATIO AWNINGS

## FIESTA LITE ILLUSTRATED PARTS LIST



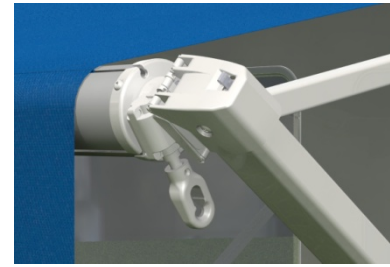
FS501

<b>Item</b>	<b>Part Number</b>	<b>Description</b>		<b>Notes</b>
1	R001701-1XX-xx	1/2 Set Hardware	Right	1,3,4
2	R001702-1XX-xx	1/2 Set Hardware	Left	1,3
3	R001774-XXX	Upper Main Arm, (includes item 4)		1
4	901071	Handle Assy	Black	
	901071WHT	Handle Assy	White	
5	R001668-XXX	Lower Main Arm, (includes Item 6)		1
6	901068	Carport Foot	Black	
	901068WHT	Carport Foot	White	
7	R00532	Travel Strap		
8	R001669-XXX	Lower Brace, RH		1,2
9	R001671-XXX	Lower Brace, LH		1,2
10	R001673-XXX	Upper Brace, (includes items 11, 12)		1
11	R001674	Locking Knob		
12	901069	Top Bracket	Black	
	901069WHT	Top Bracket	White	
13	R001703WHT-A	Spring, RH, White	Used with awning length 16' or less	
	R001703BLK-A	Spring, RH, Black	Used with awning length 16' or less	
	R001704WHT-A	Spring, RH, White	Used with awning length 16'1" or Longer	
	R001704BLK-A	Spring, RH, Black	Used with awning length 16'1" or Longer	
14	R001705WHT	Idler Assy, No Spring, White	Used with awning length 16' or less	
	R001705BLK	Idler Assy, No Spring, Black	Used with awning length 16' or less	
	R001706WHT-A	Idler Assy, w/ Spring, White	Used with awning length 16'1" or Longer	
	R001706BLK-A	Idler Assy, w/ Spring, Black	Used with awning length 16'1" or Longer	
15	901070	Bottom Bracket	Black	
	901070WHT	Bottom Bracket	White	
16	901035	Pull Cane	43"	
	901035XL	Pull Cane	61"	
17	19xx00	Roller Tube, 4-slot	3.5" Dia	
18		Canopy Only	Refer to Canopy Order Form	
19		Awning Rail	See Hardware and Accessories	
20	901011	Pull Strap		
	<i>The following items are not shown</i>			
	R019358-XXX	Hardware Pack	not shown	

- Notes:
1. XXX = Color:-005 = White; -006 = Black
  2. Lower brace (items 8, 9) includes brace slider. Brace slider not available separately.
  3. Arms available in universal only.
  4. New front (right) arm assembly is identified with an "F".

# PATIO AWNINGS

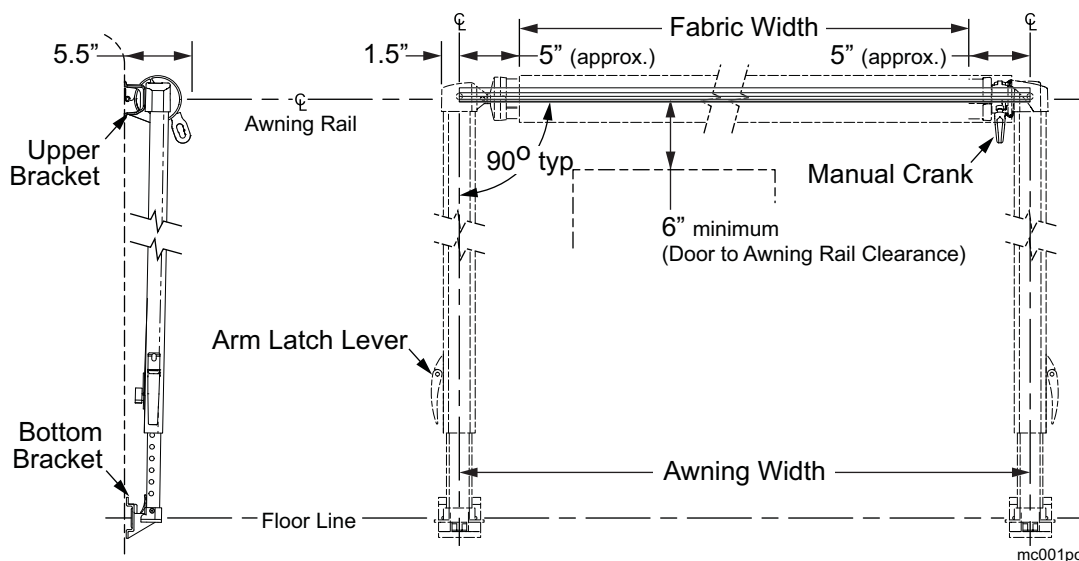
## PIONEER



- Easy to use manual crank operation. No springs.
- No travel locks required. The manual crank gear mechanism securely holds the awning during travel - no billowing.
- When the awning is extended, the arms can be left on the RV or rotated down and placed in the carport position (vertical).
- The pitch can be set to optimize shade and rain run-off.
- Simple Installation.

### SPECIFICATIONS

<b>LENGTH:</b>	8' [2.44m] to 21' [6.4m] (in 1' [.3m] increments)
<b>FABRIC EXTENSION:</b>	92" [234cm] approximate
<b>POSITIONING</b>	Manual Crank Crank Ratio 2.7 : 1
<b>CONTROL:</b>	
<b>COLOR:</b>	<i>Hardware:</i> White or Black
	<i>Fabric:</i> Vinyl or Acrylic
	<i>Fabric Wrap:</i> Weatherguard (vinyl) or Metal Wraps: Alumaguard or Uniguard



mc001pc

**INSTALLATION SPECIFICATIONS**

- Length of the awning is determined by measuring from center of arm to center of arm. Be sure the arms will not interfere with any compartments, lights, mirrors, doors etc.
  - Canopy will measure 10" shorter than the stated awning size.
  - Roller tube will measure 7" shorter than the stated awning size.
  - Alumaguard will measure 9" shorter than the stated awning size.
  - Uniguard will measure 7" shorter than the stated awning size.
- Spirit FX, Fiesta & Simplicity can be upgraded to the Pioneer Manual Crank Awning.
- Refer to the installation and operations manual.

**ORDERING****You will need to know the following information:**

- Length of awning (center of arm to center of arm measurement).
- Hardware size and color.
- Canopy fabric and color.
- Weatherguard or Alumaguard/Uniguard color.
- All orders are custom and Non-Returnable.

**SHIPPING:**

- Cannot be shipped UPS. Applicable freight charges apply.

**WARRANTY**

The Pioneer Awning is covered by the standard Carefree of Colorado 1 year Limited Warranty.

**ON-LINE AT [WWW.CAREFREEOFCOLORADO.COM](http://WWW.CAREFREEOFCOLORADO.COM)**

- ◆ Product Manuals
- ◆ Fabric Options
- ◆ Warranty Information

# PATIO AWNINGS

## PIONEER ORDER FORM

### STEP 1: COMPLETE AWNING OR UPGRADE KIT

PIONEER (FOR UPGRADE KIT ONLY, GO TO STEP 2)

### STEP 2: UPGRADE KIT (PIONEER ONLY)

UPGRADE KIT (AVAILABLE FOR SPIRIT, FIESTA AND SIMPLICITY AWNINGS UP TO 21', 1997 & NEWER -BN3N4)  
 WHITE  BLACK

### STEP 3: MEASURE LENGTH (CENTER OF ARM TO CENTER OF ARM)

8'  9'  10'  11'  12'  13'  14'  15'  16'  17'  18'  19'  20'  21'

### STEP 4: SELECT CANOPY FABRIC AND COLOR

VINYL OPTIONS - PATIO  
(COLOR KEY 1)

ACRYLIC  
(COLOR KEY 2)  
 CUSTOM ACRYLIC

POLYWEAVE  
(COLOR KEY 4)

Color Code

Name

Color Code

Name

Color Code

Name

(ACRYLIC REQUIRES ALUMAGUARD/UNIGUARD)

REFER TO THE COLOR CHART FOR STANDARD COLORS. FOR CUSTOM ACRYLIC COLORS, GO TO  
[Carefree Fabric and Hardware Colors](http://www.carefreeofcolorado.com) at [www.carefreeofcolorado.com](http://www.carefreeofcolorado.com)

PLEASE NOTE: CUSTOM ACRYLIC COLORS ARE OFFERED IN SOLID OR HORIZONTAL STRIPES.

### STEP 5: SELECT WEATHERGUARD, ALUMAGUARD, UNIGUARD

#### VINYL WEATHERGUARD

(USED WITH VINYL CANOPY ONLY)

WHITE  
 MATCHING VINYL

#### ALUMAGUARD (UP TO 21')

SATIN (NOT AVAILABLE FOR PIONEER LITE)  
 WHITE  
 BLACK

#### UNIGUARD (UP TO 21')

SATIN  
 WHITE  
 BLACK

### STEP 6: SELECT ARM SERIES AND COLOR

#### ARM SERIES

UNIVERSAL  PICKUP CAMPER  
 SHORT  HI-LO  
 LONG  
 GOOSENECK →  STANDARD OR  SHORT

#### COLOR

SATIN  
 WHITE  
 BLACK

### STEP 7: DEALERSHIP INFORMATION

DISTRIBUTOR TO BE BILLED THROUGH: \_\_\_\_\_

BRANCH: \_\_\_\_\_

CAREFREE PRESIDENTS CLUB#: \_\_\_\_\_ PO#: \_\_\_\_\_

DEALER NAME: \_\_\_\_\_

ADDRESS: \_\_\_\_\_

CITY: \_\_\_\_\_ STATE: \_\_\_\_\_ ZIP CODE \_\_\_\_\_

PHONE: \_\_\_\_\_ FAX: \_\_\_\_\_

CONTACT NAME: (IMPORTANT!) \_\_\_\_\_ EMAIL: \_\_\_\_\_

**MANDATORY!!**  
Order Cannot Be  
Processed Without  
Distributor Name

### STEP 8: SHIPPING INFORMATION

STANDARD SHIPPING  NEXT DAY  SECOND DAY (SOME LOCATION RESTRICTIONS MAY APPLY)  
(ALL NEXT DAY AND SECOND DAY AIR FEES ARE PAID BY DEALER)



#### IS THE ORDER INFORMATION ACCURATE AND COMPLETE?

→ Incomplete orders may delay processing & delivery!

→ All orders are custom manufactured and cannot be returned!

Orders can be placed via

Your Carefree Distributor or FAX: 1-303-460-8329 or on-line at [www.e-carefree.com](http://www.e-carefree.com)

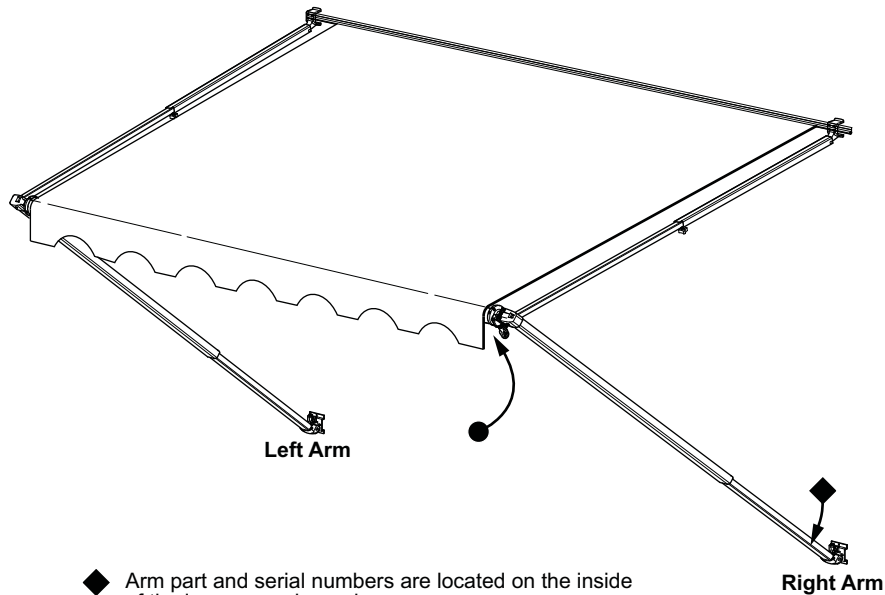


PIONEER ROLLER PART NUMBER CONFIGURATION

**Part Number: QJ187900**

QJ	18	79	00
Vinyl Roller Assy	18' Length	Ocean Blue Canopy	White Vinyl
STYLE CODE	SIZE	CANOPY COLOR	WEATHERGUARD COLOR
<b>QJ</b> = Vinyl  <b>QL</b> = Acrylic With Alumaguard  <b>QK</b> = Vinyl With Alumaguard  <b>OU</b> = Acrylic With Uniguard  <b>OT</b> = Vinyl with Uniguard	12'	<b>AVAILABLE FABRICS:</b> <u>VINYL OPTIONS – PATIO</u> (COLOR KEY 1)  <u>ACRYLIC</u> (COLOR KEY 2) <u>CUSTOM ACRYLIC</u> (SEE NOTES) <u>POLYWEAVE</u> (COLOR KEY 4)	<b>VINYL (N/A POLYWEAVE)</b> 00 = WHITE (XX) = MATCHING VINYL
	13'		<b>ALUMAGUARD / UNIGUARD</b> (COLOR KEY 5)
	14'		
	15'		
	16'		
	17'		
	18'		
	19'		
	20'		
	21'		
<p><b>FOR STANDARD COLORS, REFER TO THE COLOR CHART ON PAGE 2.</b></p> <p><b>FOR CUSTOM ACRYLIC COLORS, GO TO</b>  <a href="http://www.carefreeofcolorado.com">Carefree Fabric and Hardware Colors</a> at <a href="http://www.carefreeofcolorado.com">www.carefreeofcolorado.com</a></p> <p><b>PLEASE NOTE: CUSTOM ACRYLIC COLORS ARE OFFERED IN SOLID OR HORIZONTAL STRIPES.</b></p>			

**SERIAL NUMBER/PART NUMBER LOCATION**

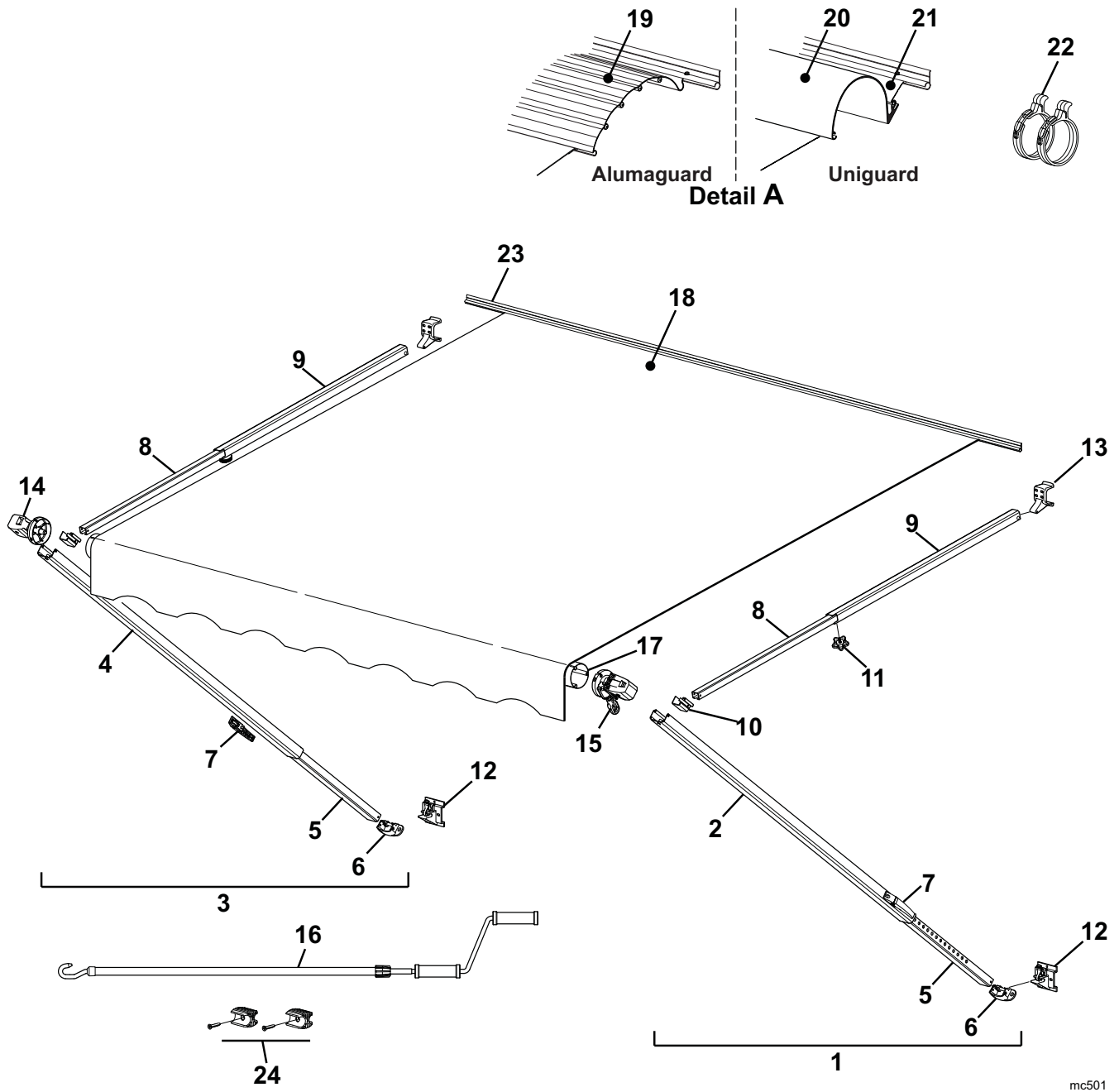


- ◆ Arm part and serial numbers are located on the inside of the lower arm channel.
- Roller Tube part and serial numbers are located on the roller tube.

mc017

# PATIO AWNINGS

## PIONEER ILLUSTRATED PARTS LIST



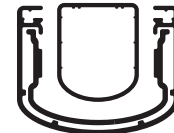
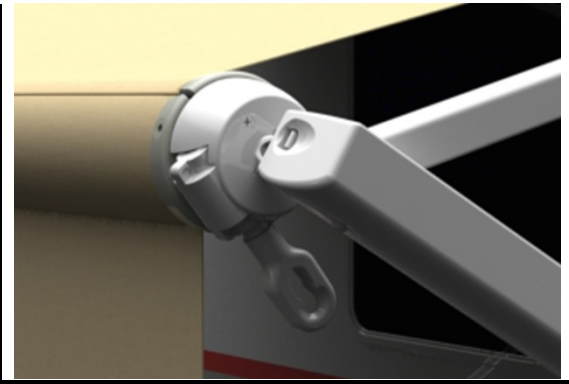
mc501

<b>Item</b>	<b>Part Number</b>	<b>Description</b>	<b>Notes</b>
1	R00415-5nn-XX	1/2 Set Hardware	Right 1,2,4
2	R00410-5nn-XX	Upper Main Arm	Right 1,2
3	R00416-5nn-XX	1/2 Set Hardware	Left 1,2,4
4	R00411-5nn-XX	Upper Main Arm	Left 1,2
5	R00412-5nn-XX	Lower Main Arm (includes Item 6)	1,2
6	901020	Carport Foot, Black	
	901020W	Carport Foot, White	
7	901015W	Handle, White	
	901015	Handle, Black	
8	R00414-5nn-XX	Lower Brace	1,2
9	R00413-5nn-XX	Upper Brace	1,2
10	R00405	Brace Slider	
11	901022	Locking Knob	
12	901019W	Bottom Bracket, White	
	901019	Bottom Bracket, Black	
13	901018W	Top Bracket, White	
	901018	Top Bracket, Black	
14	R098226-005	Idler End Cap, White	
	R098226-006	Idler End Cap, Black	
15	R001644WHT	Manual Crank Assy, White	
	R001644BLK	Manual Crank Assy, Black	
16	R001546-RP	Manual Crank Handle	
17	19xx00	Roller Tube, 3 slot	3.5" Dia
18		Canopy Only	Refer to Canopy Order Form
19	20xx36XXX	Alumaguard Assembly Only	
20	R001246XXX-xxx	Uniguard (includes 4.25" soft connect)	
21	R001247XXX-xxx	Soft Connect	4.25 Wide
22	901067	Tractioner Kit	pkg of 2
	R001008	O-Ring, Tractioner Retainer	pkg of 2
23		Awning Rail	See Hardware and Accessories
24	901072	Crank Handle Clip	qty: 2
<i>The following items are not shown</i>			
	R012479-006	Hardware Pack	Black Castings
	R012479-005	Hardware Pack	White Arms w/ White Castings
	030573	Slider Set Screw	
	850001	Upgrade Kit for Spirit/Fiesta/Simplicity	White 3
	850001BLK	Upgrade Kit for Spirit/Fiesta/Simplicity	Black 3

- Notes:
1. XX = Color:-06 = Satin w/ Black Castings; -66 = Black w/ Black Castings; -55 = White w/ White Castings
  2. nn = Arm style. Refer to page 4.
  3. Upgrade kit (850001) includes idler assy (item 14), crank assy (item 15) and screws. Crank Handle (item 16) sold separately.
  4. Replacement arm set does not include crank assy (item 15) or idler assy (item 14)

# PATIO AWNINGS

## PIONEER LITE

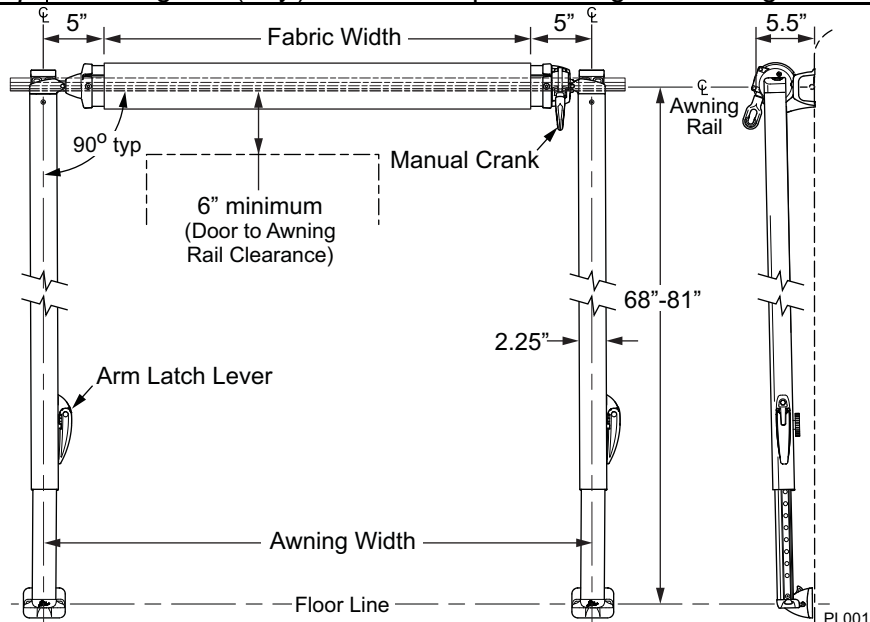


Channel Profile  
Section view looking down from top

- *Easy to use manual crank operation. No springs.*
- *No travel locks required. The manual crank gear mechanism securely holds the awning during travel - no billowing.*
- *When the awning is extended, the arms can be left on the RV or rotated down and placed in the carport position (vertical).*
- *The pitch can be set to optimize shade and rain run-off.*
- *Simple Installation.*

### SPECIFICATIONS

<b>LENGTH:</b>	8' [2.44m] to 21' [6.4m] (in 1' [.3m] increments)
<b>FABRIC EXTENSION:</b>	92" [234cm] approximate
<b>POSITIONING</b>	Manual Crank Crank Ratio 2.7 : 1
<b>CONTROL:</b>	
<b>COLOR:</b> <i>Hardware:</i>	White or Black
<i>Fabric:</i>	Vinyl or Acrylic
<i>Fabric Wrap:</i>	Weatherguard (vinyl) or Metal Wraps: Alumaguard or Uniguard



**INSTALLATION SPECIFICATIONS**

- Length of the awning is determined by measuring from center of arm to center of arm. Be sure the arms will not interfere with any compartments, lights, mirrors, doors etc.
  - Canopy will measure 10" shorter than the stated awning size.
  - Roller tube will measure 7" shorter than the stated awning size.
  - Alumaguard will measure 9" shorter than the stated awning size.
  - Uniguard will measure 7" shorter than the stated awning size.
  - Arms are available in Universal size only
- Refer to the installation and operations manual.

**ORDERING****You will need to know the following information:**

- Length of awning (center of arm to center of arm measurement).
- Canopy fabric and color.
- Weatherguard or Alumaguard/Uniguard color.
- All orders are custom and Non-Returnable.

**SHIPPING:**

- Cannot be shipped UPS. Applicable freight charges apply.

**WARRANTY**

The Pioneer Lite Awning is covered by the standard Carefree of Colorado 1 year Limited Warranty.

**ON-LINE AT [WWW.CAREFREEOFCOLORADO.COM](http://WWW.CAREFREEOFCOLORADO.COM)**

◆ Product Manuals    ◆ Fabric Options    ◆ Warranty Information

# PATIO AWNINGS

## PIONEER LITE ORDER FORM

### STEP 1: COMPLETE AWNING

PIONEER LITE

### STEP 2: MEASURE LENGTH (CENTER OF ARM TO CENTER OF ARM)

8'  9'  10'  11'  12'  13'  14'  15'  16'  17'  18'  19'  20'  21'

### STEP 3: SELECT CANOPY FABRIC AND COLOR

VINYL OPTIONS - PATIO  
(COLOR KEY 1)

ACRYLIC  
(COLOR KEY 2)

POLYWEAVE  
(COLOR KEY 4)

CUSTOM ACRYLIC

Color Code

Name

Color Code

Name

Color Code

Name

(ACRYLIC REQUIRES ALUMAGUARD/UNIGUARD)

REFER TO THE COLOR CHART FOR STANDARD COLORS. FOR CUSTOM ACRYLIC COLORS, GO TO  
[Carefree Fabric and Hardware Colors](http://www.carefreeofcolorado.com) at [www.carefreeofcolorado.com](http://www.carefreeofcolorado.com)

PLEASE NOTE: CUSTOM ACRYLIC COLORS ARE OFFERED IN SOLID OR HORIZONTAL STRIPES.

### STEP 4: SELECT WEATHERGUARD, ALUMAGUARD, UNIGUARD

#### VINYL WEATHERGUARD

(USED WITH VINYL CANOPY ONLY)

WHITE

MATCHING VINYL

#### ALUMAGUARD (UP TO 21')

WHITE

BLACK

#### UNIGUARD (UP TO 21')

WHITE

BLACK

### STEP 5: SELECT ARM COLOR (available in universal only)

WHITE

BLACK

### STEP 6: DEALERSHIP INFORMATION

DISTRIBUTOR TO BE BILLED THROUGH: \_\_\_\_\_

BRANCH: \_\_\_\_\_

CAREFREE PRESIDENTS CLUB#: \_\_\_\_\_ PO#: \_\_\_\_\_

DEALER NAME: \_\_\_\_\_

ADDRESS: \_\_\_\_\_

CITY: \_\_\_\_\_ STATE: \_\_\_\_\_ ZIP CODE \_\_\_\_\_

PHONE: \_\_\_\_\_ FAX: \_\_\_\_\_

CONTACT NAME: (IMPORTANT!) \_\_\_\_\_ EMAIL: \_\_\_\_\_

### STEP 7: SHIPPING INFORMATION

STANDARD SHIPPING  NEXT DAY  SECOND DAY (SOME LOCATION RESTRICTIONS MAY APPLY)  
(ALL NEXT DAY AND SECOND DAY AIR FEES ARE PAID BY DEALER)

**MANDATORY!!**  
Order Cannot Be  
Processed Without  
Distributor Name



#### IS THE ORDER INFORMATION ACCURATE AND COMPLETE?

→ Incomplete orders may delay processing & delivery!

→ All orders are custom manufactured and cannot be returned!

Orders can be placed via

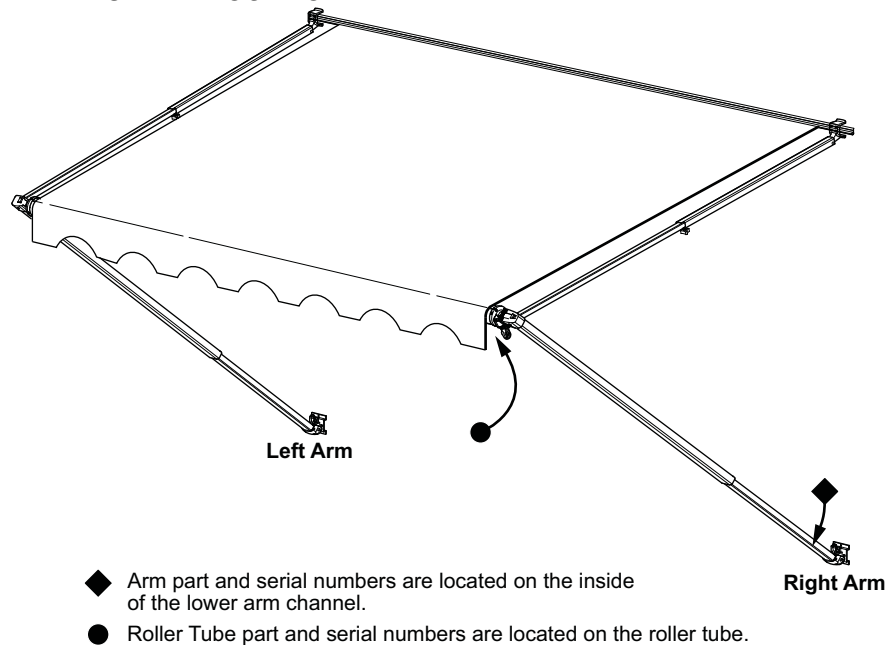
Your Carefree Distributor or FAX: 1-303-460-8329 or on-line at [www.e-carefree.com](http://www.e-carefree.com)

PIONEER LITE ROLLER PART NUMBER CONFIGURATION

**Part Number: QJ187900**

QJ	18	79	00
Vinyl Roller Assy	18' Length	Ocean Blue Canopy	White Vinyl
STYLE CODE	SIZE	CANOPY COLOR	WEATHERGUARD COLOR
<b>QJ</b> = Vinyl  <b>QL</b> = Acrylic With Alumaguard  <b>QK</b> = Vinyl With Alumaguard  <b>OU</b> = Acrylic With Uniguard  <b>OT</b> = Vinyl with Uniguard	12'	<b>AVAILABLE FABRICS:</b> <u>VINYL OPTIONS – PATIO</u> (COLOR KEY 1)  <u>ACRYLIC</u> (COLOR KEY 2) <u>CUSTOM ACRYLIC</u> (SEE NOTES) <u>POLYWEAVE</u> (COLOR KEY 4)	<u>VINYL</u> 00 = WHITE (XX) = MATCHING VINYL  <b>ALUMAGUARD / UNIGUARD</b> (COLOR KEY 5)
	13'		
	14'		
	15'		
	16'		
	17'		
	18'		
	19'		
	20'		
	21'		
<p><b>FOR STANDARD COLORS, REFER TO THE COLOR CHART ON PAGE 2.</b></p> <p><b>FOR CUSTOM ACRYLIC COLORS, GO TO</b>  <a href="http://www.carefreeofcolorado.com">Carefree Fabric and Hardware Colors</a> at <a href="http://www.carefreeofcolorado.com">www.carefreeofcolorado.com</a></p> <p><b>PLEASE NOTE: CUSTOM ACRYLIC COLORS ARE OFFERED IN SOLID OR HORIZONTAL STRIPES.</b></p>			

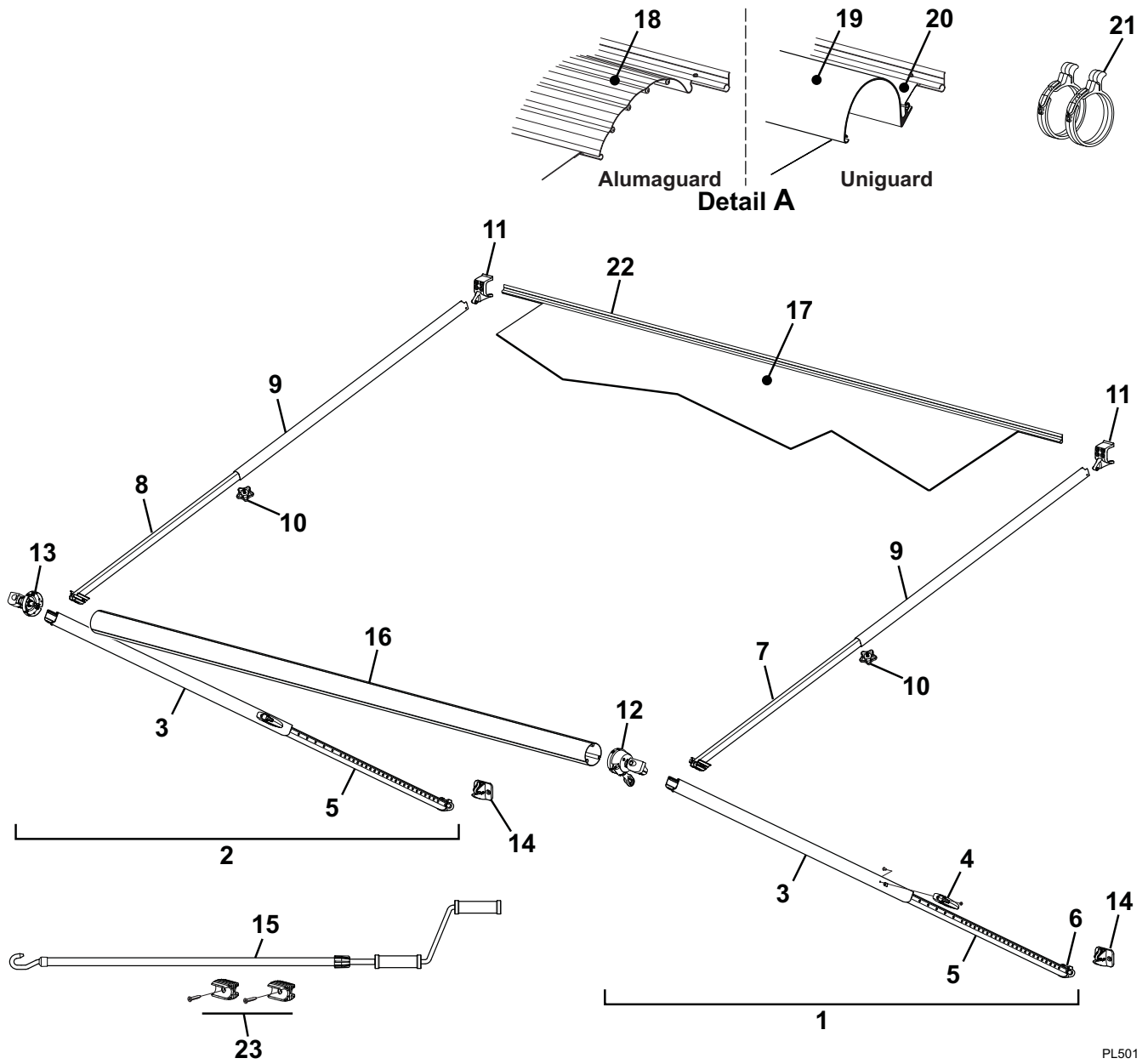
**SERIAL NUMBER/PART NUMBER LOCATION**



mc017

# PATIO AWNINGS

## PIONEER LITE ILLUSTRATED PARTS LIST



PL501



<b>Item</b>	<b>Part Number</b>	<b>Description</b>		<b>Notes</b>
1	R001665-XXX	1/2 Set Hardware	Right	1,3
2	R001666-XXX	1/2 Set Hardware	Left	1,3
3	R001667-XXX	Upper Main Arm, (includes item 4)		1
4	901071	Handle Assy	Black	
	901071WHT	Handle Assy	White	
5	R001668-XXX	Lower Main Arm, (includes Item 6)		1
6	901068	Carport Foot	Black	
	901068WHT	Carport Foot	White	
7	R001669-XXX	Lower Brace, RH		1,2
8	R001671-XXX	Lower Brace, LH		1,2
9	R001673-XXX	Upper Brace, (includes items 10 & 11)		1
10	R001674	Locking Knob		
11	901069	Top Bracket	Black	
	901069WHT	Top Bracket	White	
12	901073	Manual Crank Gear Assy	Black	
	901073WHT	Manual Crank Gear Assy	White	
13	901074	Idler Assy	Black	
	901074WHT	Idler Assy	White	
14	901070	Bottom Bracket	Black	
	901070WHT	Bottom Bracket	White	
15	R001546-RP	Manual Crank Handle		
16	19xx00	Roller Tube, 3 slot	3.5" Dia	
17		Canopy Only	Refer to Canopy Order Form	
18	20xx36XXX	Alumaguard Assembly Only		
19	R001246XXX-xxx	Uniguard (includes 4.25" soft connect)		
20	R001247XXX-xxx	Soft Connect	4.25 Wide	
21	901067	Tractioner Kit	pkg of 2	
	R001008	O-Ring, Tractioner Retainer	pkg of 2	
22		Awning Rail	See Hardware and Accessories	
23	901072	Crank Handle Clip	qty: 2	
	<i>The following items are not shown</i>			
	R019324-001	Hardware Pack		

- Notes:
1. XXX = Color: -005 = White; -006 = Black
  2. Lower brace (items 7, 8) includes brace slider. Brace slider is not available seperately.
  3. Arms available in universal only.

## PATIO AWNINGS

---

### DISCONTINUED PRODUCTS

The following products have been discontinued and are no longer available. Limited parts availability.  
Refer to PC supplement 070000 -DIS for available parts.

#### ***PATIO AWNINGS***

- One-Touch
- Quick 'N' EZ
- Super Sport
- Sidewinder II
- Spirit FX
- Simplicity
- Freedom Patio (series code TW)
- Freedom Patio (series code AV)

#### ***WINDOW & OTD AWNINGS***

- Omega
- Omega II
- Guardi-Awn
- 12V Window Awning
- Manual Window Awning (Standard and XL)
- Freedom OtD Slider - Manufactured Prior to Sept 2008
- Freedom OtD Slider - Manufactured After Sept 2008
- Freedom Window & OtD - Manufactured Prior to Sept 2008
- Freedom Window & OtD - Manufactured After Sept 2008

#### ***SLIDEOUT AWNINGS***

- Summit w/ Lift Arms
- SOKII
- SOKII with Manual Lock