

# WINDOW & OTD AWNINGS

TITLE	PAGE
<b>COLOR CODE CHART - STANDARD COLORS</b> .....	<b>2</b>
<b>MARQUEE SERIES</b> .....	<b>4</b>
MARQUEE SERIES AWNING PART NUMBER CONFIGURATION GUIDE .....	5
<i>SERIAL NUMBER/PART NUMBER LOCATION</i> .....	5
MARQUEE SERIES WINDOW & OTD ORDER FORM.....	6
MARQUEE SERIES AWNING ILLUSTRATED PARTS LIST ( <b>UNITS BUILT PRIOR TO JULY 2010</b> ).....	7
MARQUEE SERIES AWNING ILLUSTRATED PARTS LIST ( <b>UNITS BUILT AFTER JULY 2010</b> ) .....	8
<b>SL WINDOW AWNING</b> .....	<b>9</b>
WINDOW AWNING PART NUMBER CONFIGURATION .....	10
<i>SERIAL NUMBER/PART NUMBER LOCATION</i> .....	10
SL WINDOW AWNING ORDER FORM.....	11
SL WINDOW AWNING ILLUSTRATED PARTS LIST .....	12
<b>MANUAL OVER THE DOOR (OTD) AWNINGS</b> .....	<b>13</b>
OTD AWNING SPECIFICATIONS .....	13
OTD ORDER FORM .....	14
OTD PART NUMBER CONFIGURATION – MOST MODELS.....	15
<i>SERIAL NUMBER/PART NUMBER LOCATION</i> .....	15
OTD MANUAL AWNING ILLUSTRATED PARTS LIST .....	16
<b>TRUCKIN'AWN</b> .....	<b>17</b>
TRUCKIN' AWN SPECIFICATIONS .....	17
TRUCKIN' AWN ORDER FORM .....	18
TRUCKIN' AWN PART NUMBER CONFIGURATON.....	19
<i>SERIAL NUMBER/PART NUMBER LOCATION</i> .....	19
TRUCKIN' AWN ILLUSTRATED PARTS LIST .....	20
<b>DISCONTINUED PRODUCTS</b> .....	<b>21</b>

# WINDOW & OTD AWNINGS

## COLOR CODE CHART - STANDARD COLORS

### VINYL OPTIONS

### COLOR KEY 1

<b>DENIM STRIPE</b>						
<b>PATIO</b> →	52 Sierra Brown	55 Bordeaux	57 Teal	58 Black/Gray	79 Ocean Blue	
Weatherguard	00 White / 52 Brown	00 White / 55 Bordeaux	00 White / 57 Teal	00 White / 58 Black	00 White / 79 Blue	
<b>COMPANION</b> →	9D Sierra Brown	9E Bordeaux	9F Teal	9G Black	9C Ocean Blue	
Weatherguard	00 White / 9D Brown	00 White / 9E Bordeaux	00 White / 9F Teal	00 White / 9G Black	00 White / 9C Blue	
<b>DUNE STRIPE</b>						
<b>PATIO</b> →	8A Sierra Brown	8B Bordeaux	8C Teal	8D Black/Gray	8E Ocean Blue	
Weatherguard	00 White / 8A Brown	00 White / 8B Bordeaux	00 White / 8C Teal	00 White / 8D Black	00 White / 8E Blue	
<b>COMPANION</b> →	8A Sierra Brown	8B Bordeaux	8C Teal	8D Black/Gray	8E Ocean Blue	
Weatherguard	00 White / 8A Brown	00 White / 8B Bordeaux	00 White / 8C Teal	00 White / 8D Black	00 White / 8E Blue	
<b>FADES</b>						
<b>PATIO</b> →	LF Burgundy	LH Camel	LJ Blue Slate	LK Silver	LM Black	
Weatherguard	00 White	00 White	00 White	00 White	00 White	
<b>SHALE FADES</b>						
<b>PATIO</b> →	6A Burgundy	6B Camel	6C Blue	6D Silver	6E Black	
Weatherguard	00 White	00 White	00 White	00 White	00 White	
<b>COMPANION</b> →	6A Burgundy	6B Camel	6C Blue	6D Silver	6E Black	
Weatherguard	00 White	00 White	00 White	00 White	00 White	
<b>PREMIUM RT</b>						
<b>PATIO</b> →	7A Charcoal	7B Chocolate	7C Indigo			
Weatherguard	00 White / 7A Charcoal	00 White / 7B Chocolate	00 White / 7C Indigo			
<b>COMPANION</b> →	7A Charcoal	7B Chocolate	7C Indigo			
Weatherguard	00 White / 7A Charcoal	00 White / 7B Chocolate	00 White / 7C Indigo			
	<b>CHECKERED</b>		<b>SOLID PRINT VINYL</b>			
<b>PATIO</b> →	9A Checkered	00 Solid White	9G Solid Black			
Weatherguard	00 White	00 White	00 White / 9G Black			
<b>COMPANION</b> →	9A Checkered	00 Solid White	03 Solid Gray	62 Solid Black		
Weatherguard	00 White					

### SOLID ACRYLIC FABRICS

### COLOR KEY 2

10 Cadet Gray	38 Captain Navy	EA Linen Tweed	TU Beige	UY Green
<i>For custom acrylic colors, go to <a href="http://www.carefreeofcolorado.com">www.carefreeofcolorado.com</a> or <a href="http://www.e-carefree.com">www.e-carefree.com</a>.</i>				
<i>Please note: Custom acrylic colors are offered in solid or horizontal stripes.</i>				

### FULLVIEW FABRICS

### COLOR KEY 3

04 Black	82 Sierra Brown	85 Bordeaux	87 Ocean Blue	
----------	-----------------	-------------	---------------	--

### POLYWEAVE FABRICS

### COLOR KEY 4

RA Charcoal	RF Taupe	RG Black	
<i>Polyweave available for select OEM installations and replacement canopies only. Limited colors available while supplies last. Polyweave canopies are made with matching Polyweave Weatherguard.</i>			

### ALUMAGUARD/UNIGUARD COLORS

### COLOR KEY 5

25 Polar White	JV Black	23 Satin	
----------------	----------	----------	--

### SUNBLOCKER/SIDEBLOCKER

### COLOR KEY 6

82 Sierra Brown	84 Navy	85 Bordeaux	88 Black	
-----------------	---------	-------------	----------	--

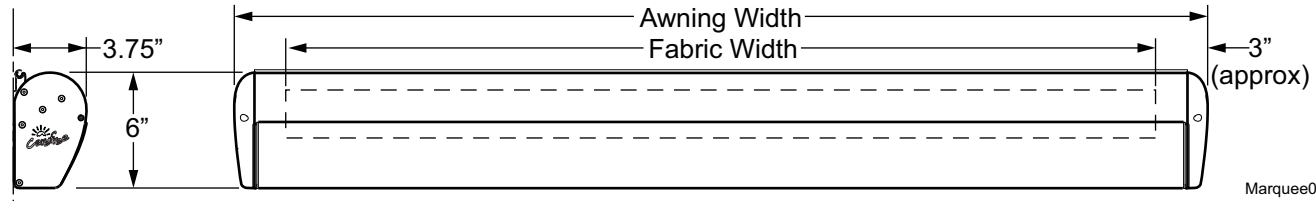


# WINDOW & OTD AWNINGS

## MARQUEE SERIES

### 12V Lateral Arm OtD and Window Awnings

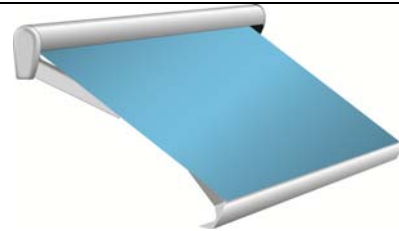
- The OtD (Over the Door) and Window Awnings are state of the art lateral arm awnings.
- When retracted, the housing provides protection against the elements while the streamlined styling blends in with the coach sidewall and is a perfect complement to other Carefree products.
- Each unit is equipped with lateral support arms. No vertical arms to interfere with coach sidewalls, custom graphics or equipment that may be mounted on the sidewalls.
- Heavy duty construction with an all metal chassis and outdoor rated tubular motor.
- Uses a standard awning rail for mounting.
- Easy to use manual override to close the awning when power is lost. (available after July, 2010)



Marquee001



**OtD (Over the Door)**



**Window**

<b>EXTENSION:</b>	36"	36"
<b>AVAILABLE WIDTHS:</b>	50", 54", 60", 66", 72"	50", 54", 60", 66", 72", 7', 8', 9', 10', 11', 12' & 13'
<b>PITCH:</b>	3 degrees (approximate)	33 degrees (approximate)
<b>LEADING EDGE POSITION ACTUATION AND CONTROL</b>		
<u>Power:</u>	Lateral Arm Spring	
<u>Minimum Tension</u>	Open	
<u>Position Control:</u>	<i>Motorized:</i>	Roll Out/In Controlled by Electrical Motor
<b>MOTOR:</b>	Tubular, 12VDC	
<b>CONTROLS:</b>	Motor and control switch are hardwired into the vehicle's 12V system	

### **COLORS AVAILABLE**

<u>Case</u>	Black (w/ black endcaps), White (w/ white endcaps)
<u>Fabric</u>	Woven Acrylic Fabric - refer to sales literature for colors available

### **INSTALLATION TIPS**

- Mounts with standard awning rail (slot up).
- Minimum center line of awning rail position: OtD = 13" above door; Window = 7.5" above window molding.
- Refer to the installation and operations manuals.

### **SHIPPING**

- Applicable freight charges apply.

### **WARRANTY**

The Marquee Awning is covered by the standard Carefree of Colorado 1 year Limited Warranty.

### **ON-LINE AT WWW.CAREFREEOFCOLORADO.COM**

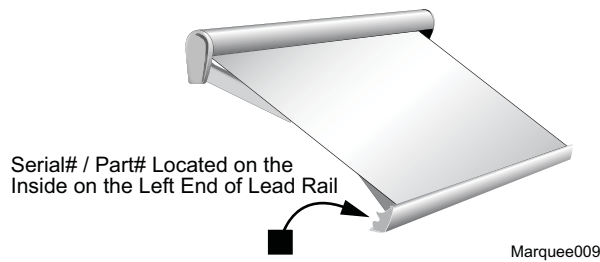
- ◆ Product Manuals
- ◆ Fabric Options
- ◆ Warranty Information

MARQUEE SERIES AWNING PART NUMBER CONFIGURATION GUIDE

**Example: Part Number: 43050EA25WP**

43	050	EA	25	WP
Marquee	50"	Linen Tweed	White	Window Awning
STYLE CODE	SIZE (IN INCHES)	CANOPY COLOR	CASE COLOR	
43= 12V Marquee Awning	050 = 50"	<b>AVAILABLE FABRICS:</b>  <b>ACRYLIC</b> (COLOR KEY 2)  <b>CUSTOM ACRYLIC</b> (SEE NOTES)	<b>STANDARD</b> 25 = WHITE JV = BLACK	<b>WP =</b> WINDOW AWNING (STEEP PITCH)  <b>DP =</b> OTD AWNING (FLAT PITCH)
	054 = 54"			
	060 = 60"			
	066 = 66"			
	072 = 72"			
	084 = 84"			
	096 = 96"			
	108 = 108"			
	120 = 120"			
	132 = 132"			
144 = 144"	FOR STANDARD COLORS, REFER TO THE COLOR CHART ON PAGE 3.  FOR CUSTOM ACRYLIC COLORS, GO TO <a href="http://www.carefreeofcolorado.com">www.carefreeofcolorado.com</a> AT			
156 = 156"		<b>PLEASE NOTE: CUSTOM ACRYLIC COLORS ARE OFFERED                      IN SOLID OR HORIZONTAL STRIPES.</b>		
The Marquee OtD is not available in all lengths listed refer to the product description on the previous page.				

**SERIAL NUMBER/PART NUMBER LOCATION**



# WINDOW & OTD AWNINGS

## MARQUEE SERIES WINDOW & OTD ORDER FORM

### STEP 1: SELECT STYLE AND LENGTH

MARQUEE WINDOW AWNING (Steep Pitch)

50"  54"  60"  66"  72"  84"  96"  108"  120"  132"  144"  156"

MARQUEE OTD AWNING (Flat Pitch)

50"  54"  60"  66"  72"

### STEP 2: SELECT CANOPY FABRIC AND COLOR

ACRYLIC (COLOR KEY 2)

CUSTOM ACRYLIC

Color Code

Name

REFER TO THE COLOR CHART FOR STANDARD COLORS. FOR CUSTOM ACRYLIC COLORS, GO TO [Carefree Fabric and Hardware Colors](http://www.carefreeofcolorado.com) at [www.carefreeofcolorado.com](http://www.carefreeofcolorado.com)

**PLEASE NOTE: CUSTOM ACRYLIC COLORS ARE OFFERED IN SOLID OR HORIZONTAL STRIPES.**

### STEP 3: SELECT CASE COLOR

WHITE

BLACK

### STEP 4: DEALERSHIP INFORMATION

DISTRIBUTOR TO BE BILLED THROUGH: \_\_\_\_\_

BRANCH: \_\_\_\_\_

CAREFREE PRESIDENTS CLUB#: \_\_\_\_\_ PO#: \_\_\_\_\_

DEALER NAME: \_\_\_\_\_

ADDRESS: \_\_\_\_\_

CITY: \_\_\_\_\_ STATE: \_\_\_\_\_ ZIP CODE: \_\_\_\_\_

PHONE: \_\_\_\_\_ FAX: \_\_\_\_\_

CONTACT NAME: (IMPORTANT!) \_\_\_\_\_ EMAIL: \_\_\_\_\_

**MANDATORY!!**  
Order Cannot Be  
Processed Without  
Distributor Name

### STEP 5: SHIPPING INFORMATION

STANDARD SHIPPING  NEXT DAY  SECOND DAY (SOME LOCATION RESTRICTIONS MAY APPLY)  
(ALL NEXT DAY AND SECOND DAY AIR FEES ARE PAID BY DEALER)



**IS THE ORDER INFORMATION ACCURATE AND COMPLETE?**

→ Incomplete orders may delay processing & delivery!

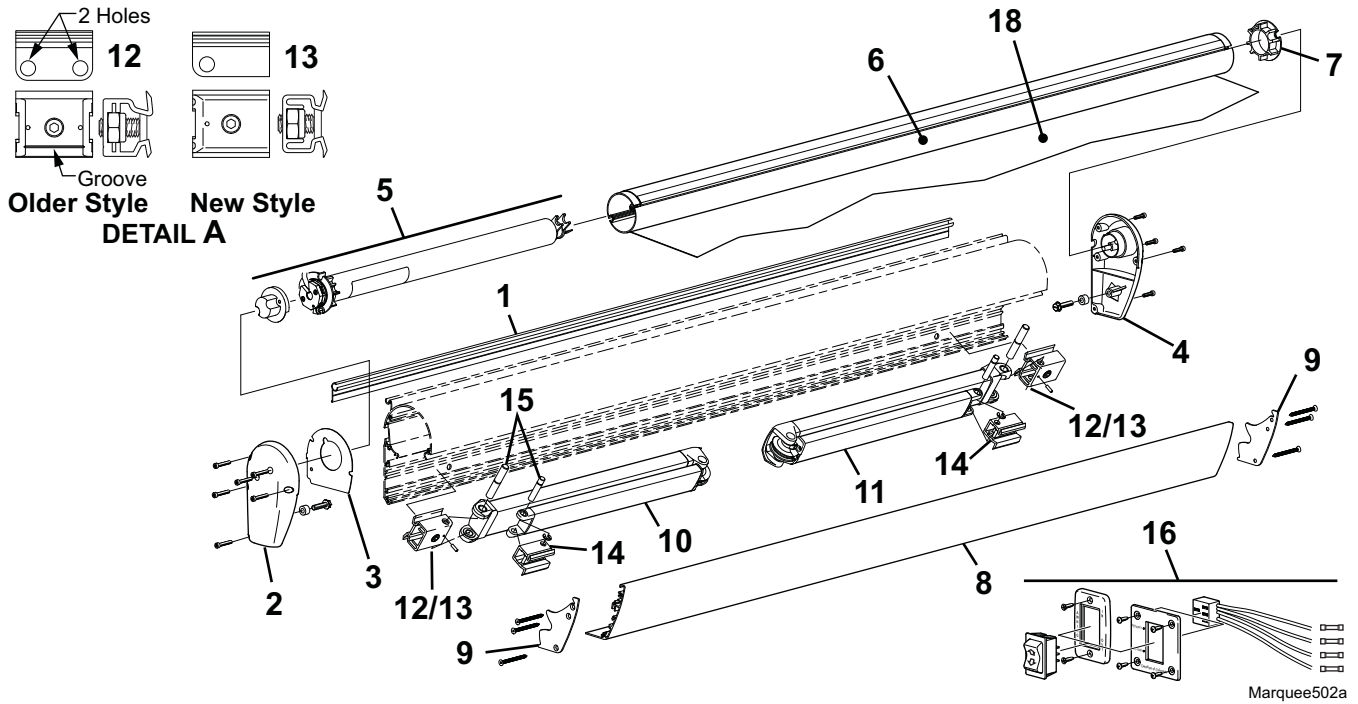
→ All orders are custom manufactured and cannot be returned!

Orders can be placed via

Your Carefree Distributor or FAX: 1-303-460-8329 or on-line at [www.e-carefree.com](http://www.e-carefree.com)

MARQUEE SERIES AWNING ILLUSTRATED PARTS LIST (UNITS BUILT PRIOR TO JULY 2010)

Use this page for units that do not have an end plug in the RH end cap. Use the next page if the unit has an end plug.



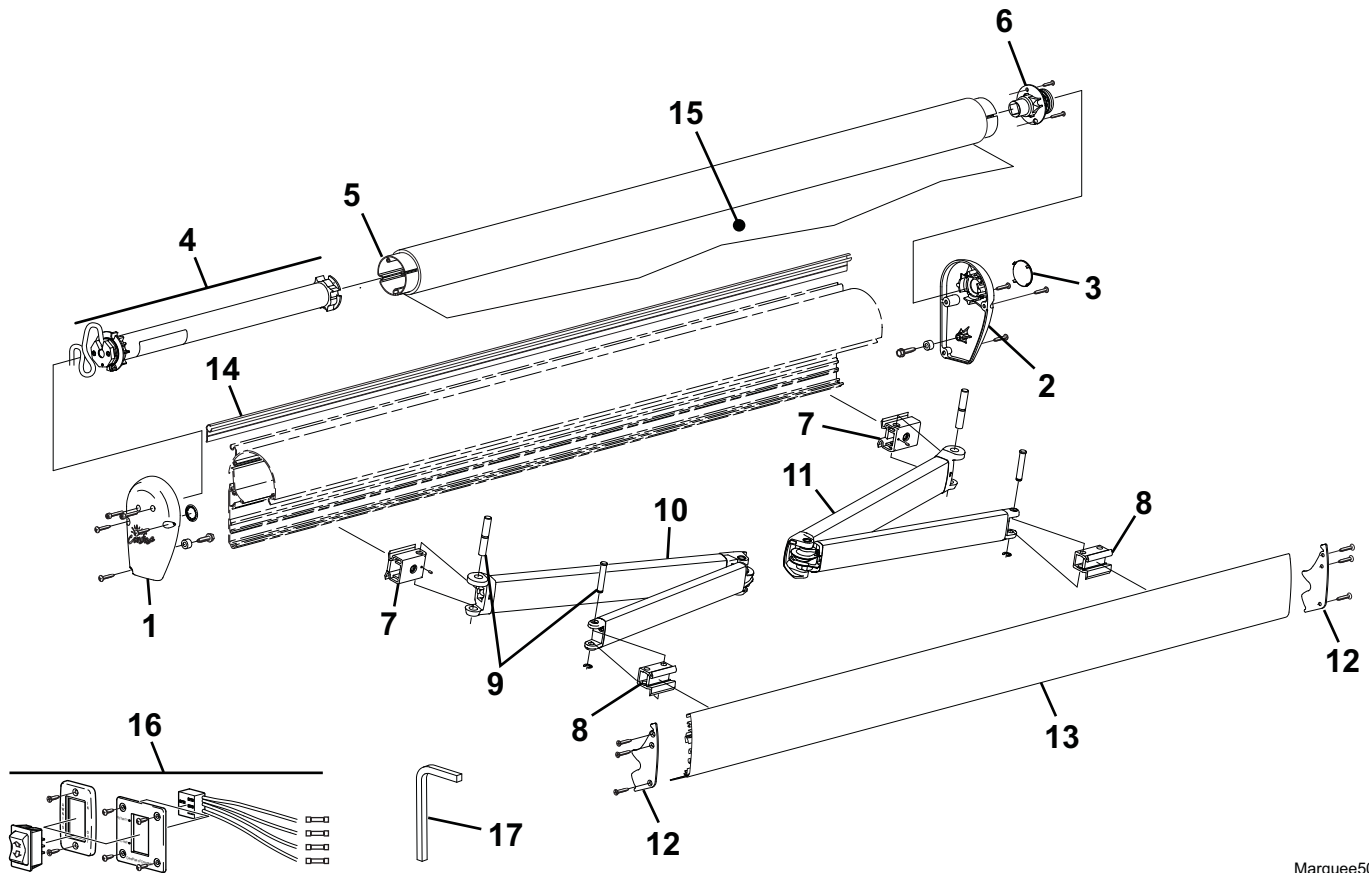
Item	Part Number	Description	Notes
1		Awning Rail	See Hardware and Accessories
2	R037318-005	End Cap, White Only	LH 2
3	R054017-001	Wall, Closeout	
4	R037319-00X	End Cap	RH 2
5	R001531	Motor Kit	
6		Roller Tube	See Hardware and Accessories
7	R040751-001	Bearing, Roller Tube, RH	
8	R001362XXX-xxx	Lead Rail	7
9	R001725-00X	End Plate Kit	2,6
10	R012530-TB32L	Spring Arm Assy	LH 5
11	R012530-TB32R	Spring Arm Assy	RH 5
12	R019804-001	Connector Assy, Case	Window 3
13	R019804-002	Connector Assy, Case	OtD 3
	R019853-001	Connector Assy, Case	3
14	R019799-001	Connector Assy, Lead Rail	
15	R001630	Hardware Pack, Arm Attach, 1 Arm	5
16	R001605	Switch Kit	
17	R019819-001	Owners Kit (manual & mounting screws)	
18		Canopy Only	Refer to Canopy Order Form

- Notes:
1. XXX = Color; xxx = Length in inches.
  2. 00X = 005 for White; 006 for Black
  3. Two case connector configurations are used on the Marquee (item 13 - original, item 14 - new). Refer to Detail A, older style can be identified by the groove on the front face and the two holes through the top. The new and old connectors are not interchangeable. Identify the correct connector before ordering.
  4. Motor kit (item 5) includes bearing, drive and end spacer.
  5. Attaching hardware is not furnished with spring arm assemblies. Order item 16. Item 16 includes pins, set screw, retaining ring and bushings.
  6. End plate kit (item 9) includes two end plates and hardware. End plates are universal and may be used on the left or right side.
  7. Lead rail (item 8) includes end plate kit (item 9).

# WINDOW & OTD AWNINGS

## MARQUEE SERIES AWNING ILLUSTRATED PARTS LIST (UNITS BUILT AFTER JULY 2010)

Use this page for units that do have an end plug in the RH end cap. Use the previous page if the unit does not have an end plug.



Marquee504

Item	Part Number	Description	Notes
1	R001660XXX	End Cap LH	
2	R001661XXX	End Cap RH	
3	R040792-00X	End Plug, Manual Override	
4	R001651	Motor Kit	2
5		Roller Tube	See Tools and Hardware
6	R001623	Roller Tube End Plug, RH	
7	R019853-001	Connector Assembly, Case	
8	R019799-001	Connector Assembly, Lead Rail	
9	R001630	Hardware Pack, Arm Attach, 1 Arm	
10	R012530-TB32L	Spring Arm Assembly, LH	3
11	R012530-TB32R	Spring Arm Assembly, RH	3
12	R001725-00X	End Plate Kit	2,5
13	R001362XXX-xxx	Lead Rail	6
14		Awning Rail	See Tools and Hardware
15		Canopy Only	Refer to Canopy Order Form
16	R001605	Switch Kit	
17	901075	Manual Override Key	

- Notes:
1. XXX = Color; xxx = Length. WHT= White; BLK = Black
  2. 00X = 005 for White; 006 for Black
  3. Motor Kit includes bearing and one-way drive.
  4. Attaching hardware not included with spring arm assemblies. Order item 9. Item 9 includes pins, set screw and retaining ring.
  5. End plate kit (item 12) includes two end plates and hardware. End plates are universal and may be used on the left or right side.
  6. Lead rail (item 14) includes end plate kit (item 12).



## SL WINDOW AWNING

Window awnings are patterned to match Carefree's wide range of patio awnings and Over the Door awnings while complimenting the coach.

- Window awnings keep the RV cool by reducing the sun and glare.
- Helps protect interior furnishings and curtains from ultraviolet sunrays.
- Beautiful matching fabrics –Match Carefree window awnings to other window awning brands using solid colors.

### FEATURES

- ☑ Styled to match the sleek, finished look of Carefree's Eclipse or Travel'r Patio Awning, it also blends with other awning styles and vehicle looks.
- ☑ Available with Vinyl, Fullview and Acrylic fabrics.
- ☑ Available with Vinyl weatherguard (vinyl canopy) or Uniguard.
- ☑ Available in XL to cover taller windows. XL window awning arms are 30" long and have a 45" fabric extension – 50% more than a regular window awning. XL window awnings are a must for windows that are taller than 36".
- ☑ Not available with Alumaguard.
- ☑ All orders are custom and Non-Returnable.

**SIZES AVAILABLE:** 3' to 15' (in one-inch increments)  
(XL models are available up to 13')

**HEIGHT AVAILABLE:** STANDARD = Windows up to 36" tall  
XL = Windows taller than 36"

**EXTENSION AVAILABLE:** Standard = 28"      XL = 45"

### MEASURING TIPS:

- To calculate the awning width, measure the window width (outside of frame to outside of frame) then add 6". Example: If your frame measures 4' 4", add 6" = 4' 10". This would be the center of arm to center of arm length to order.
- Measure the window height (outside of frame to outside of frame). If the window height is taller than 36", order the XL Window Awning.
- Standard arms are 18" tall, XL arms are 30" tall.
- All measurements are center of arm to center of arm.
- Bottom bracket on the Standard and XL measures 2" wide X 1" tall.
- Fabric will measure 6" less than the awning size ordered.

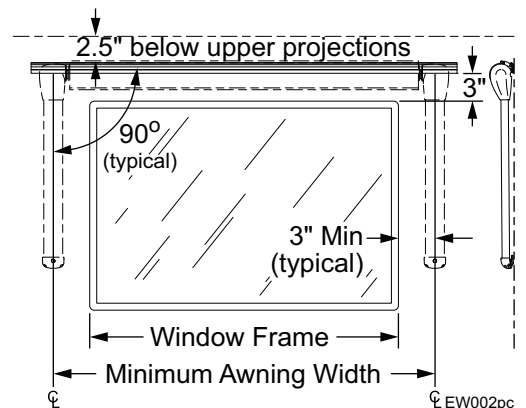
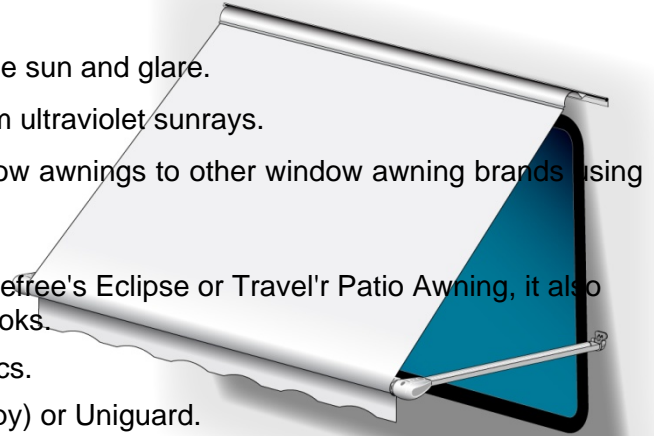
### ORDERING:

**You will need to know the following information:**

- Model to be installed: SL or XL SL .
- Length of awning.
- Window height.
- Choice of fabric, Weatherguard or Uniguard.
- Arm color and style.
- All orders are custom and Non-Returnable.

### SHIPPING:

- Sizes 7 ½' and shorter will ship UPS.
- 8' & longer will ship common carrier, applicable freight charges apply.

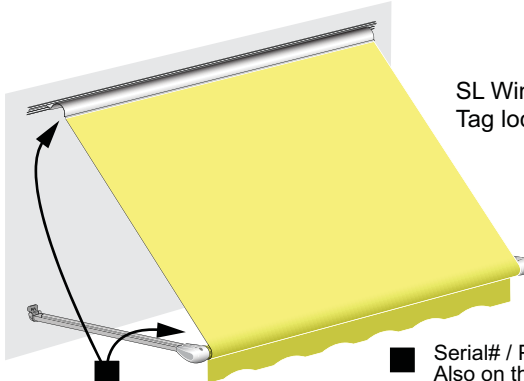


SL Window Awning Shown

# WINDOW & OTD AWNINGS

## WINDOW AWNING PART NUMBER CONFIGURATION

**Example: Part Number: IG080EA25**

<b>IG</b>	<b>080</b>	<b>EA</b>	<b>25</b>
SL Window Awning With White Castings	8 Feet	Linen Tweed	Uniguard - White
<b>STYLE CODE</b>	<b>SIZE</b>	<b>CANOPY COLOR</b>	<b>WEATHERGUARD COLOR</b>
<b>IF=</b> SL vinyl or fullview with vinyl weatherguard and black castings. <b>IE=</b> SL vinyl or fullview with vinyl weatherguard and white castings <b>IB=</b> SL vinyl, acrylic or fullview with uniguard and black castings. <b>IG=</b> SL vinyl, acrylic or fullview with uniguard and white castings. <b>IP=</b> SL XL vinyl or fullview with vinyl weatherguard and black castings <b>IN=</b> SL XL vinyl or fullview with vinyl weatherguard and white castings <b>IK=</b> SL XL acrylic, vinyl or fullview with uniguard and black castings. <b>ID=</b> SL XL acrylic, vinyl or fullview with uniguard and white castings.	3' = <b>030</b> 3.5' = <b>035</b> 4' = <b>040</b> 4.5' = <b>045</b> 5' = <b>050</b> 5.5' = <b>055</b> 6' = <b>060</b> 6.5' = <b>065</b> 7' = <b>070</b> 8' = <b>080</b> 9' = <b>090</b> 10' = <b>100</b> 11' = <b>110</b> 12' = <b>120</b> 13' = <b>130</b> 14' = <b>140</b> 15' = <b>150</b> <b>NOTE:</b> XL N/A OVER 13'	<b>AVAILABLE FABRICS:</b> <b>VINYL OPTIONS – COMPANION</b> (COLOR KEY 1) <b>ACRYLIC</b> (COLOR KEY 2) <b>CUSTOM ACRYLIC</b> (SEE NOTES) <b>FULLVIEW</b> (COLOR KEY 3) <b>POLYWEAVE</b> (COLOR KEY 4)	<b>VINYL</b> 00 = WHITE or (XX) = MATCHING COLOR <b>UNIGUARD</b> (COLOR KEY 5)
<p><b>FOR STANDARD COLORS, REFER TO THE COLOR CHART ON PAGE 3.</b></p> <p><b>FOR CUSTOM ACRYLIC COLORS, GO TO</b>  <a href="http://www.carefreeofcolorado.com">Carefree Fabric and Hardware Colors</a> at  <a href="http://www.carefreeofcolorado.com">www.carefreeofcolorado.com</a></p> <p><b>PLEASE NOTE: CUSTOM ACRYLIC COLORS ARE OFFERED IN SOLID OR HORIZONTAL STRIPES.</b></p>			
<p><b>SERIAL NUMBER/PART NUMBER LOCATION</b></p>			
<div style="display: flex; align-items: center;">  <div style="margin-left: 20px;"> <p>SL Window Awning Shown w/ Uniguard. Tag location typical.</p> <p>■ Serial# / Part# Located on the Roll Bar. Also on the Uniguard if installed.</p> </div> </div>			

EW007

SL WINDOW AWNING ORDER FORM

**STEP 1: SELECT AWNING STYLE**

- SL WINDOW AWNING
- XL SL WINDOW AWNING

**STEP 2: SPECIFY LENGTH**

CENTER ARM TO CENTER ARM MEASUREMENT: \_\_\_\_\_ (LENGTH = WINDOW FRAME WIDTH + 6")

**STEP 3: SELECT CANOPY FABRIC AND COLOR**

<input type="checkbox"/> <b>VINYL OPTIONS - COMPANION</b> (COLOR KEY 1)	<input type="checkbox"/> <b>ACRYLIC</b> (COLOR KEY 2)	<input type="checkbox"/> <b>FULLVIEW</b> (COLOR KEY 3)	<input type="checkbox"/> <b>POLYWEAVE</b> (COLOR KEY 4)
<i>Color Code</i>	<i>Name</i>	<i>Color Code</i>	<i>Name</i>

REFER TO THE COLOR CHART FOR STANDARD COLORS. FOR CUSTOM ACRYLIC COLORS, GO TO [Carefree Fabric and Hardware Colors](http://www.carefreeofcolorado.com) at [www.carefreeofcolorado.com](http://www.carefreeofcolorado.com)

**PLEASE NOTE: CUSTOM ACRYLIC COLORS ARE OFFERED IN SOLID OR HORIZONTAL STRIPES.**

**STEP 4: SELECT WEATHERGUARD OR UNIGUARD**

<p><b>VINYL WEATHERGUARD</b> (USED WITH VINYL CANOPY ONLY)</p> <ul style="list-style-type: none"> <li><input type="checkbox"/> WHITE</li> <li><input type="checkbox"/> MATCHING VINYL</li> <li><input type="checkbox"/> MATCHING FULLVIEW</li> </ul>	<p><b>UNIGUARD</b></p> <ul style="list-style-type: none"> <li><input type="checkbox"/> SATIN</li> <li><input type="checkbox"/> WHITE</li> <li><input type="checkbox"/> BLACK</li> </ul>
--	---

**STEP 5: SELECT ARM COLOR**

**STANDARD COLORS**

- SATIN
- WHITE
- BLACK

**STEP 6: DEALERSHIP INFORMATION**

DISTRIBUTOR AND BRANCH TO BE BILLED THROUGH: \_\_\_\_\_

CAREFREE PRESIDENTS CLUB#: \_\_\_\_\_ PO#: \_\_\_\_\_

DEALER NAME: \_\_\_\_\_

ADDRESS: \_\_\_\_\_

CITY: \_\_\_\_\_ STATE: \_\_\_\_\_ ZIP CODE: \_\_\_\_\_

PHONE: \_\_\_\_\_ FAX: \_\_\_\_\_

CONTACT NAME: (IMPORTANT!) \_\_\_\_\_ EMAIL: \_\_\_\_\_

**MANDATORY!!**  
Order Cannot Be  
Processed Without  
Distributor Name

**STEP 7: SHIPPING INFORMATION**

- STANDARD SHIPPING
  - NEXT DAY
  - SECOND DAY (SOME LOCATION RESTRICTIONS MAY APPLY)
- (ALL NEXT DAY AND SECOND DAY AIR FEES ARE PAID BY DEALER)



**IS THE ORDER INFORMATION ACCURATE AND COMPLETE?**

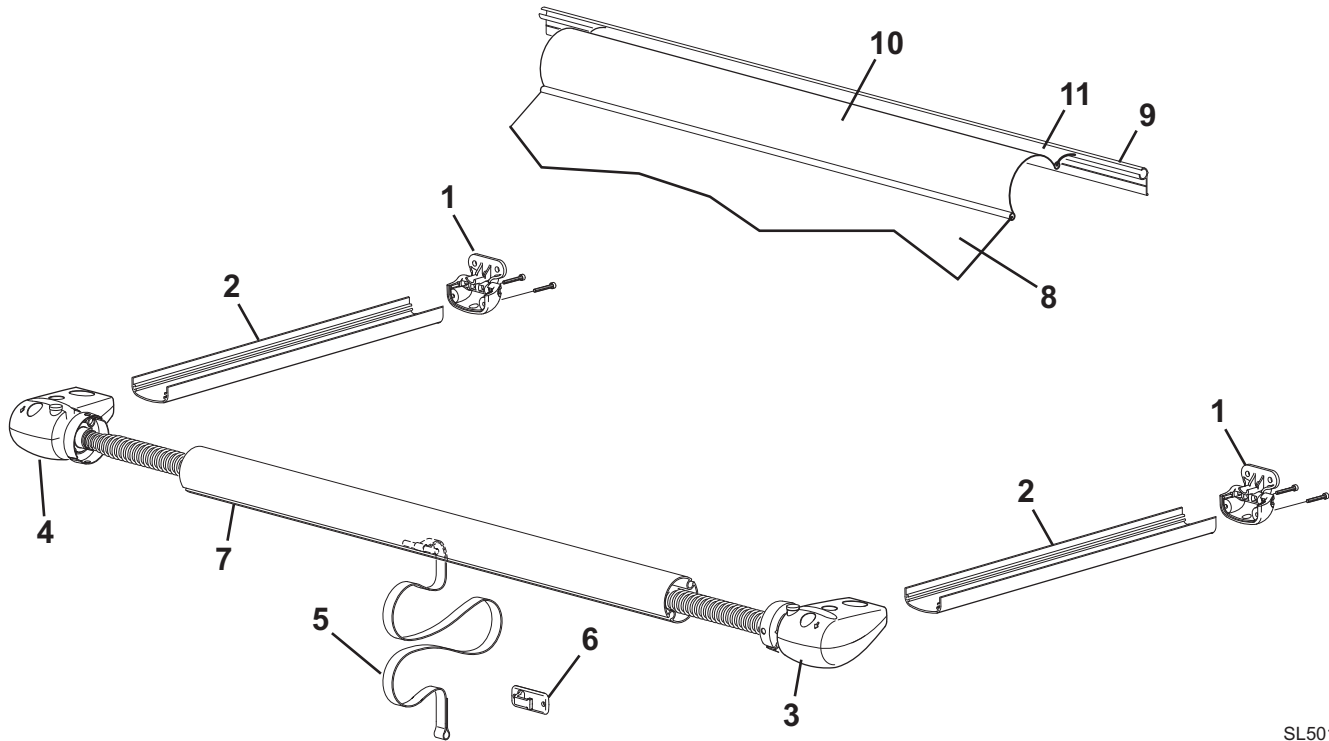
- ➔ Incomplete orders may delay processing & delivery!
- ➔ All orders are custom manufactured and cannot be returned!

*Orders can be placed via*

Your Carefree Distributor or FAX: 1-303-460-8329 or on-line at [www.e-carefree.com](http://www.e-carefree.com)

# WINDOW & OTD AWNINGS

## SL WINDOW AWNING ILLUSTRATED PARTS LIST



SL501

Item	Part Number	Description	Notes
1	R001181XXX	Bracket, Arm Mount	1
2	R038124-15XXX	Arm	Standard 1
	R038124-27XXX	Arm	XL 1
3	R001182XXX	Head and Spring Assy, RH	3' - 8' 1,2
	R001184XXX	Head and Spring Assy, RH	8'1" 13' 1,2
	R001172XXX	Head and Spring Assy, RH	13' 1" - 15' 1,2
4	R001183XXX	Head and Spring Assy, LH	3' - 8' 1,2
	R001185XXX	Head and Spring Assy, LH	8'1" 13' 1,2
	R001171XXX	Head and Spring Assy, LH	13' 1" - 15' 1,2
5	R022406-028	Pull Strap, 28"	Standard
6	R022406-043	Pull Strap, 43"	XL
	901044	Pull Strap Catch, Black	(2 per pkg)
	901044W	Pull Strap Catch, White	(2 per pkg)
		Roller Tube	See Hardware and Accessories
8		Canopy Only	Refer to Canopy Order Form
9		Awning Rail	See Hardware and Accessories
10	R001202XXX-xxx	Uniguard w/Soft Connect	
11	R001248XXX-xxx	Soft Connect (only)	
12	R019774-005	Hardware Pack	White
	R019774-006	Hardware Pack	Black

- Notes: 1. XXX = Color; xxx = Length  
 2. Spring assemblies (items 3, 4) are available in WHT (white) for white arms, BLK (black) for all other colors.

## MANUAL OVER THE DOOR (OTD) AWNINGS

Carefree's Over the Door (OtD) Awnings are a perfect compliment for Carefree patio and window awnings. Manual and motorized versions are available.

- OtD awnings provide shade for the door and shields the inside of the RV.
- Beautiful matching fabrics – Match Carefree awnings to other window awning brands using solid colors.

### OTD AWNING SPECIFICATIONS

**SIZES AVAILABLE STRAIGHT ARMS:** 40" 48" 54" 60" 66" 72"

**SIZES AVAILABLE CURVED ARMS:** 54" 56" 57" 64"

### STRAIGHT & CURVED ARM OTD:

- Available in Vinyl, Fullview and Acrylic.
- Available with Vinyl Weatherguard or Alumaguard.
- Fabric will measure 6" less than the size ordered.

### MEASURING TIPS:

- OtD awning rail must be mounted a minimum of 11" above the door to provide proper clearance.
- Requires a flat unobstructed mounting surface with a minimum of 2" wide x 62" tall for proper mounting.
- All measurements are center of arm to center of arm.
- Bottom bracket on all OtD awnings measures 1" wide x 2 ½" tall.
- **Note:** Though curved arm OtD awnings are for specific coach applications, you must insure the rear arm has an unobstructed mounting space. There is always the possibility that the main patio awning may interfere.
- Curved arm measurements are center of top plug to center of top plug.
- Straight-arm measurements are center of arm to center of arm.

### CURVED ARM APPLICATION CHART

Newmar Mountain Aire	96' & newer
Newmar Dutch Star	96' & newer (front door models)
Safari Serengeti	96' & newer
Safari Sahara	96' & newer
Safari Continental	96' & newer
Tiffan Allegro Bus	97' & 98'
Tiffan Allegro Bus	99' & newer
Holiday Rambler Endeavor	98' & newer
Monaco Dynasty	95' & newer
Monaco Windsor	ALL (front door models)
Monaco Diplomat	ALL
Coachmen Destiny	96' & newer
Harney Renegade	99' & newer
Fleetwood Discovery	2000 model

### ORDERING:

**You will need to know the following information:**

- Length of awning.
- Straight or Curved Arm application and color.
- Choice of fabric, weatherguard and Alumaguard.
- All orders are custom and Non-Returnable.

### SHIPPING:

- Applicable freight charges apply.

# WINDOW & OTD AWNINGS

## OTD ORDER FORM

### STEP 1: SELECT LENGTH (CENTER OF TOP OF ARM TO CENTER OF TOP OF ARM)

40"    48"    54"    56"    57"    60"    64"    66"    72"

### STEP 2: SELECT CANOPY FABRIC AND COLOR

<input type="checkbox"/> <b>VINYL OPTIONS - COMPANION</b> (COLOR KEY 1)	<input type="checkbox"/> <b>ACRYLIC</b> (COLOR KEY 2)
<input type="checkbox"/> <b>CUSTOM ACRYLIC</b>	
Color Code _____ Name _____	Color Code _____ Name _____

REFER TO THE COLOR CHART FOR STANDARD COLORS. FOR CUSTOM ACRYLIC COLORS, GO TO [Carefree Fabric and Hardware Colors](http://www.carefreeofcolorado.com) at [www.carefreeofcolorado.com](http://www.carefreeofcolorado.com)

**PLEASE NOTE: CUSTOM ACRYLIC COLORS ARE OFFERED IN SOLID OR HORIZONTAL STRIPES.**

### STEP 3: SELECT WEATHERGUARD OR ALUMAGUARD

<b>VINYL WEATHERGUARD</b> (USED WITH VINYL CANOPY ONLY)	<b>ALUMAGUARD</b>
<input type="checkbox"/> WHITE	<input type="checkbox"/> SATIN
<input type="checkbox"/> MATCHING VINYL	<input type="checkbox"/> WHITE
	<input type="checkbox"/> BLACK

### STEP 4: SELECT ARM STYLE

<input type="checkbox"/> STRAIGHT ARMS   OR <input type="checkbox"/> CURVED ARMS	YEAR: _____	MAKE: _____
	MODEL OF COACH: _____	

### STEP 5: SELECT ARM COLOR

#### STANDARD COLORS

- SATIN  
 WHITE  
 BLACK

### STEP 6: DEALERSHIP INFORMATION

DISTRIBUTOR TO BE BILLED THROUGH: \_\_\_\_\_  
BRANCH: \_\_\_\_\_

CAREFREE PRESIDENTS CLUB#: \_\_\_\_\_ PO#: \_\_\_\_\_

DEALER NAME: \_\_\_\_\_

ADDRESS: \_\_\_\_\_

CITY: \_\_\_\_\_ STATE: \_\_\_\_\_ ZIP CODE: \_\_\_\_\_

PHONE: \_\_\_\_\_ FAX: \_\_\_\_\_

CONTACT NAME: (IMPORTANT!) \_\_\_\_\_ EMAIL: \_\_\_\_\_

### STEP 7: SHIPPING INFORMATION

- STANDARD SHIPPING    NEXT DAY    SECOND DAY (SOME LOCATION RESTRICTIONS MAY APPLY)  
(ALL NEXT DAY AND SECOND DAY AIR FEES ARE PAID BY DEALER)

**MANDATORY!!**  
Order Cannot Be  
Processed Without  
Distributor Name



#### IS THE ORDER INFORMATION ACCURATE AND COMPLETE?

- Incomplete orders may delay processing & delivery!
- All orders are custom manufactured and cannot be returned!

Orders can be placed via

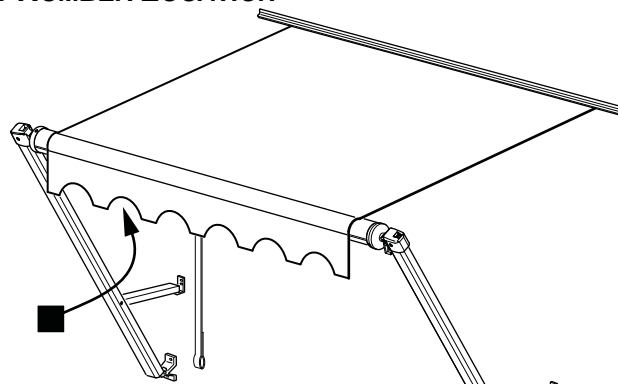
Your Carefree Distributor or FAX: 1-303-460-8329 or on-line at [www.e-carefree.com](http://www.e-carefree.com)

OTD PART NUMBER CONFIGURATION – MOST MODELS

**Example: FE072EA25W**

FE	072	EA	25	W
"OtD" acrylic awning with straight arms complete	72"	Linen Tweed	White Alumaguard	White Arms
STYLE CODE	SIZE (IN INCHES)	CANOPY COLOR	ALUMAGUARD OR WEATHERGUARD COLOR	ARM COLOR
<b>68=</b> OtD vinyl with straight arms and black castings.  <b>FG=</b> OtD vinyl with straight arms and white castings.  <b>67=</b> OtD acrylic ltd with straight arms and black castings  <b>FE=</b> OtD acrylic ltd with straight arms and white castings	40"= <b>040</b> 48"= <b>048</b> 54"= <b>054</b> 56"= <b>056</b> 57"= <b>057</b> 60"= <b>060</b> 64"= <b>064</b> 66"= <b>066</b> 72"= <b>072</b>	<b>AVAILABLE FABRICS:</b> <u>VINYL OPTIONS – COMPANION</u> (COLOR KEY 1)  <u>ACRYLIC</u> (COLOR KEY 2)  <u>CUSTOM ACRYLIC</u> (SEE NOTES)	<u>VINYL</u> 00 = WHITE (XX) = MATCHING VINYL  ALUMAGUARD (COLOR KEY 5)	<b>STANDARD</b> W = WHITE S = SATIN 6 = BLACK
<p><i>FOR STANDARD COLORS, REFER TO THE COLOR CHART ON PAGE 3.</i></p> <p><i>FOR CUSTOM ACRYLIC COLORS, GO TO <a href="http://www.carefreeofcolorado.com">Carefree Fabric and Hardware Colors</a> at <a href="http://www.carefreeofcolorado.com">www.carefreeofcolorado.com</a></i></p> <p><b><i>PLEASE NOTE: CUSTOM ACRYLIC COLORS ARE OFFERED IN SOLID OR HORIZONTAL STRIPES.</i></b></p>				

**SERIAL NUMBER/PART NUMBER LOCATION**

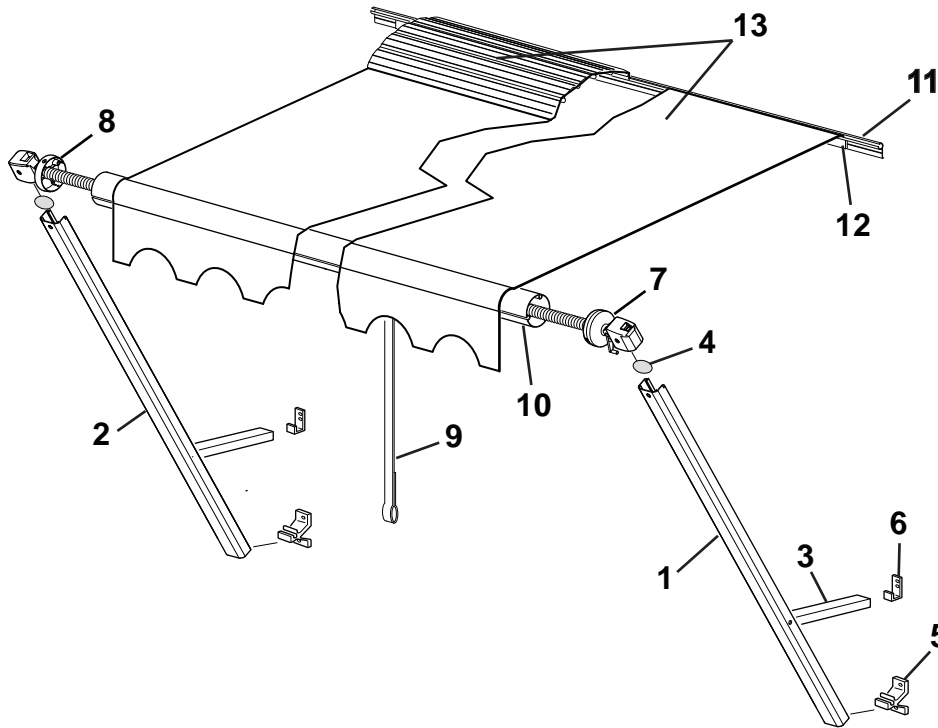


**Manual OTD**  
 Serial# / Part# Located inside arm channel and on Roll Bar

OTD001

# WINDOW & OTD AWNINGS

## OTD MANUAL AWNING ILLUSTRATED PARTS LIST



OTD501

Item	Part Number	Description	Notes
1	R00215	Arm Assy w/ Brace, Straight	Satin
	R00217WHT	Arm Assy w/ Brace, Straight	White
	R00215-131	Arm Assy w/ Brace, 4 1/2° Bend	Satin
	R00217-131WHT	Arm Assy w/ Brace, 4 1/2° Bend	White
	R00217-191WHT	Arm Assy w/ Brace, 4 1/2° Bend, telescoping	White
	R00215-151	Arm Assy w/ Brace, 5° Bend	Satin
	R00217-151WHT	Arm Assy w/ Brace, 5° Bend	White
	R00215-151BLK	Arm Assy w/ Brace, 5° Bend	Black
2	R00215	Arm Assy w/ Brace, Straight	Satin
	R00217WHT	Arm Assy w/ Brace, Straight	White
3	R00218	Brace, 12"	Satin
	R00218BLK	Brace, 12"	Black
	R00220	Brace, 12"	White
	R00220-15	Brace, 15"	White
	R00220-17	Brace, 17"	White
4	R041142-001	Foam Dampener	
5	R00221WHT	Bottom Bracket Assy	1
6	R00222	Brace Hook Assy	
7	610000XXX	Spring Assy, RH, 3'-8'	Used w/o Alumaguard 1
	610002XXX	Spring Assy, RH, 3'-8'	Used w/ Alumaguard 1
8	610001XXX	Spring Assy, LH, 3'-8'	Used w/o Alumaguard 1
	610003XXX	Spring Assy, LH, 3'-8'	Used w/ Alumaguard 1
9	R022406-036	Pull Strap, 36"	
10		Roller Tube	See Hardware and Accessories
11		Awning Rail	See Hardware and Accessories
12	R040198	Rubber Pad	
13		Canopy Only	Refer to Canopy Order Form
	<i>The following items are not shown</i>		
	R00604	Hardware Pack	
	901045	Arm Locks (Pair)	
	R040425-001	Brace End Cap	

Notes: 1. XXX = Color



## TRUCKIN'AWN

### TRUCKIN'AWN SPECIFICATIONS

**SIZES AVAILABLE:** 3' 3 1/2' 4' 4 1/2' 5' 5 1/2' 6'

**EXTENSION:** 36" = STANDARD 46" = FOR AUTO RAFTER MODEL

#### THE TRUCKIN'AWN STANDARD & AUTO RAFTER:

- Length is measured center of arm to center of arm.
- Fabric will measure 6" less than the overall size selected.
- Available in Vinyl with vinyl weatherguard.
- Not available with Alumaguard or Uniguard.

#### MEASURING TIPS:

- Verify there is at least 3" of horizontal unobstructed mounting space above the door. Decide where the arms will fit and ensure they will not interfere with lights, ladders, etc.
- Requires 2" of clearance on each side of the arm brackets and arms.
- For ultimate shade protection, order as wide an awning as you can install, from one side of your camper all the way to the ladder.
- Truckin'AWN must be able to slide into the awning rail provided.
- Standard vs. Automatic Rafter Models do have different specific measuring criteria, please see below.

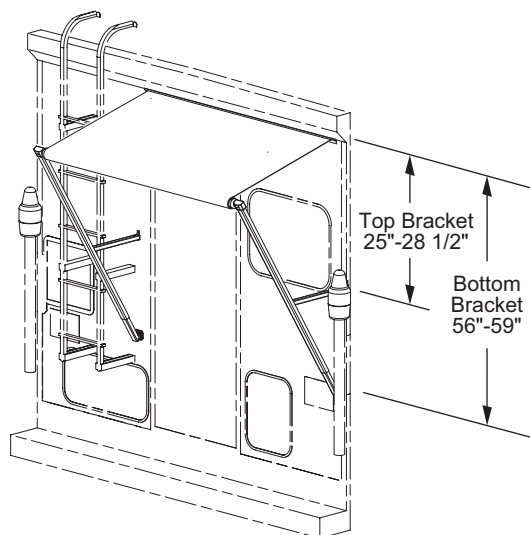
#### ORDERING:

You will need to know the following information:

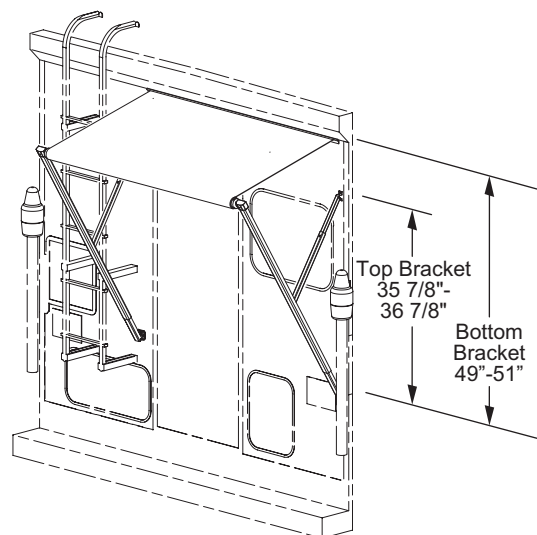
- Length.
- Standard or Auto Rafter.
- Canopy color and choice of fabric.
- Weatherguard Color.
- All orders are custom and Non-Returnable.

#### SHIPPING:

- All Truckin'AWN's ship UPS.



Standard Truckin'AWN



Auto-Rafter Truckin'AWN

TruckinAwn001pc

# WINDOW & OTD AWNINGS

## TRUCKIN' AWN ORDER FORM

### STEP 1: SELECT SIZE

3'     3 1/2'     4'     4 1/2'     5'     5 1/2'     6'

### STEP 2: MODEL

STANDARD     AUTO-RAFTER

### STEP 3: SELECT CANOPY FABRIC AND COLOR

**VINYL OPTIONS - COMPANION**  
(COLOR KEY 1)

Color Code

Name

### STEP 4: SELECT WEATHERGUARD COLOR

#### VINYL WEATHERGUARD

WHITE     MATCHING VINYL

### STEP 5: ARM COLOR

**STANDARD**    WHITE WITH WHITE CASTINGS ONLY

### STEP 6: DEALERSHIP INFORMATION

DISTRIBUTOR TO BE BILLED THROUGH: \_\_\_\_\_

BRANCH: \_\_\_\_\_

CAREFREE PRESIDENTS CLUB#: \_\_\_\_\_ PO#: \_\_\_\_\_

DEALER NAME: \_\_\_\_\_

ADDRESS: \_\_\_\_\_

CITY: \_\_\_\_\_ STATE: \_\_\_\_\_ ZIP CODE: \_\_\_\_\_

PHONE: \_\_\_\_\_ FAX: \_\_\_\_\_

CONTACT NAME: (IMPORTANT!) \_\_\_\_\_ EMAIL: \_\_\_\_\_

**MANDATORY!!**  
Order Cannot Be  
Processed Without  
Distributor Name

### STEP 7: SHIPPING INFORMATION

STANDARD SHIPPING     NEXT DAY     SECOND DAY (SOME LOCATION RESTRICTIONS MAY APPLY)  
(ALL NEXT DAY AND SECOND DAY AIR FEES ARE PAID BY DEALER)



#### **IS THE ORDER INFORMATION ACCURATE AND COMPLETE?**

→ *Incomplete orders may delay processing & delivery!*

→ *All orders are custom manufactured and cannot be returned!*

*Orders can be placed via*

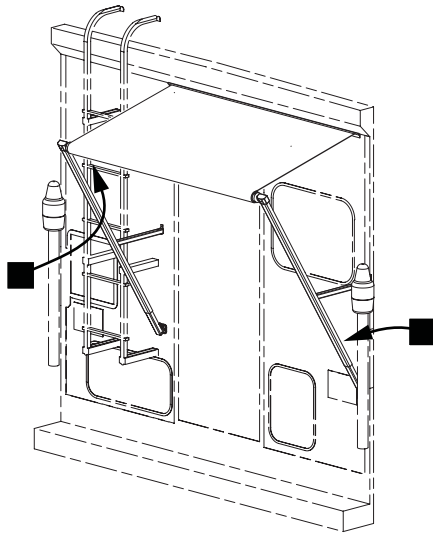
Your Carefree Distributor or FAX: 1-303-460-8329 or on-line at [www.e-carefree.com](http://www.e-carefree.com)

TRUCKIN' AWN PART NUMBER CONFIGURATON

**Example: Part Number: 380729D00W**

38	072	9D	00	W
Standard Truckin' Awn	6 feet	Sierra Brown	White	White
STYLE CODE	SIZE (IN INCHES)	CANOPY COLOR	WEATHERGUARD COLOR	ARM COLOR
<b>38 =</b> Standard Truckin' Awn Complete With Arms  <b>TR =</b> Automatic Rafter Truckin' Awn Complete With Arms	<b>036=3'</b> <b>042=3.5'</b> <b>048=4'</b> <b>054=4.5'</b> <b>060=5'</b> <b>066=5.5'</b> <b>072=6'</b>	<b>AVAILABLE FABRICS:</b>  <b>VINYL OPTIONS – COMPANION (COLOR KEY 1)</b>	<b>VINYL</b> 00 = WHITE 02 = MATCHING VINYL	<b>W = WHITE</b>
		<b>FOR STANDARD COLORS, REFER TO THE COLOR CHART ON PAGE 3.</b>		

**SERIAL NUMBER/PART NUMBER LOCATION**



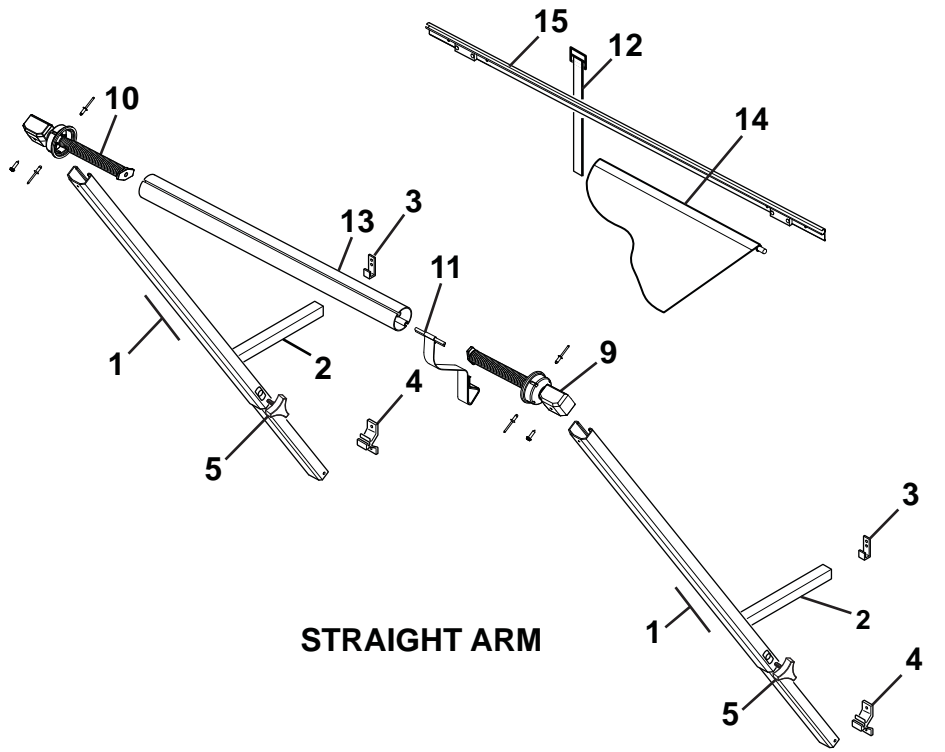
Serial# / Part# Located inside arm channel and on Roller Tube

Standard Truckin' Awn shown Location typical all versions

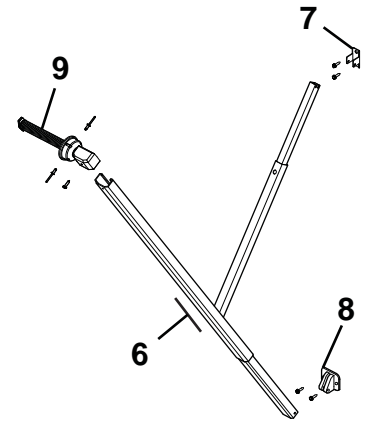
TruckinAwn002pc

# WINDOW & OTD AWNINGS

## TRUCKIN' AWN ILLUSTRATED PARTS LIST



**STRAIGHT ARM**



**AUTO-RAFTER**

TA501

Item	Part Number	Description	Notes
1	R00358XXX	Arm Assy, 1/2 Set	Standard 1
2	R00361	Brace, Satin	Standard
	R00361W	Brace, White	Standard
3	R00222	Brace Hook	Standard
4	R00221XXX	Lower Mounting Bracket	Standard 1
5	R00486	Knob, Black	Standard
6	R00891XXX	Auto-Rafter Assy, 1/2 Set	Auto-Rafter 1
7	R00394	Upper Mounting Bracket	Auto-Rafter
8	R00625XXX	Bottom Mounting Bracket	Auto-Rafter 1
9	610002WHT	Spring Assy, RH	White
	610002	Spring Assy, RH	Black
10	610001WHT	Spring Assy, LH	White
	610001	Spring Assy, LH	Black
11	R022406-036	Pull Strap	Standard
	R022406-049	Pull Strap	Auto-Rafter
12	R00369	Tie Strap	
13		Roller Tube	See Hardware and Accessories
14		Canopy Only	Refer to Canopy Order Form
15		Awning Rail	See Hardware and Accessories
16	R040198	Rubber Pad	
	<i>The following items are not shown</i>		
	R00478	Hardware Pack, Straight Arm	
	R00893	Hardware Pack, Auto-Rafter	

Notes: 1. XXX = Color

---

**DISCONTINUED PRODUCTS**

The following products have been discontinued and are no longer available. Limited parts availability. Refer to PC supplement 052580 -DIS for available parts.

***PATIO AWNINGS***

One-Touch  
Quick 'N' EZ  
Super Sport  
Sidewinder II  
Freedom Patio (series code TW)  
Freedom Patio (series code AV)

***WINDOW & OTD AWNINGS***

Omega  
Omega II  
Guardi-Awn  
12V Window Awning  
Manual Window Awning (Standard and XL)  
Freedom OtD Slider - Manufactured Prior to Sept 2008  
Freedom OtD Slider - Manufactured After Sept 2008  
Freedom Window & OtD - Manufactured Prior to Sept 2008  
Freedom Window & OtD - Manufactured After Sept 2008

***SLIDEOUT AWNINGS***

Summit w/ Lift Arms  
SOKII with Manual Lock