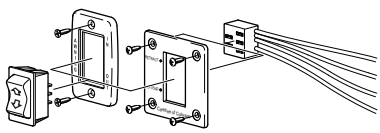


***THE FOLLOWING PRODUCTS HAVE BEEN DISCONTINUED FOR NEW INSTALLATIONS.  
LIMITED PARTS AVAILABILITY.***

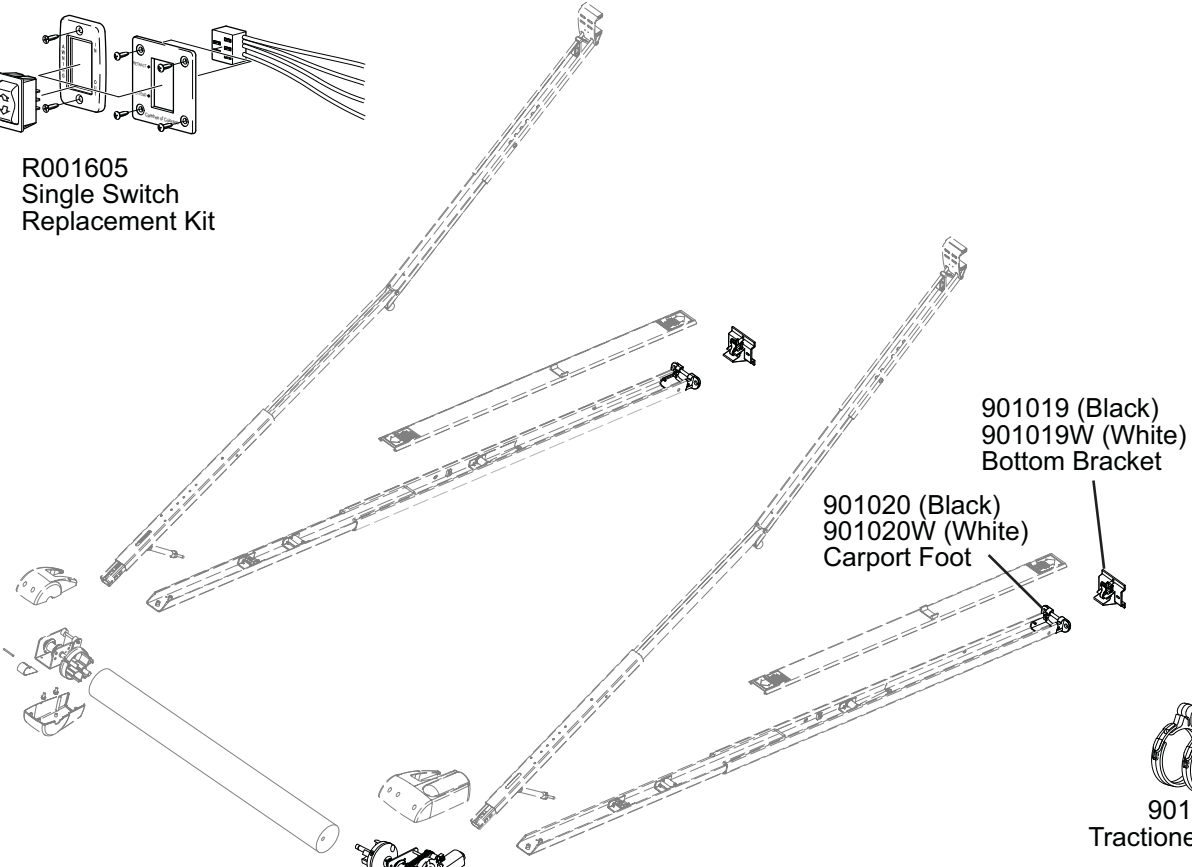
ONE-TOUCH ILLUSTRATED PARTS LIST .....	2
QUICK 'N' EZ ILLUSTRATED PARTS LIST .....	3
SIDEWINDER II ILLUSTRATED PARTS LIST .....	4
CAMPOUT (STANDARD) ILLUSTRATED PARTS LIST.....	5
SIMPLICITY ILLUSTRATED PARTS LIST .....	6
FREEDOM SERIES PATIO ILLUSTRATED PARTS LIST (SERIES CODE TW).....	8
FREEDOM SERIES PATIO ILLUSTRATED PARTS LIST (SERIES CODE AV) .....	10
FREEDOM OTD SLIDER ILLUSTRATED PARTS LIST - MANUFACTURED PRIOR TO SEPT 2008 .....	12
FREEDOM OTD SLIDER ILLUSTRATED PARTS LIST - MANUFACTURED AFTER SEPT 2008 .....	13
FREEDOM WINDOW & OTD ILLUSTRATED PARTS LIST - MANUFACTURED PRIOR TO SEPT 2008.....	14
FREEDOM WINDOW & OTD ILLUSTRATED PARTS LIST - MANUFACTURED AFTER SEPT 2008 .....	15
MANUAL WINDOW AWNING ILLUSTRATED PARTS LIST .....	16
SUMMIT ILLUSTRATED PARTS LIST .....	17
SUMMIT ILLUSTRATED PARTS LIST (OEM MODEL) .....	19
SOKII W/ MANUAL LOCK ILLUSTRATED PARTS LIST .....	21
SOKII W/ DEFLECTOR ILLUSTRATED PARTS LIST .....	22
OMEGA & OMEGA II ILLUSTRATED PARTS LIST.....	23

**Components in GRAY are no longer available.**

# ONE-TOUCH ILLUSTRATED PARTS LIST



R001605  
Single Switch  
Replacement Kit

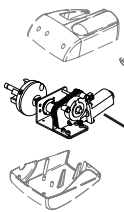


901019 (Black)  
901019W (White)  
Bottom Bracket

901020 (Black)  
901020W (White)  
Carport Foot

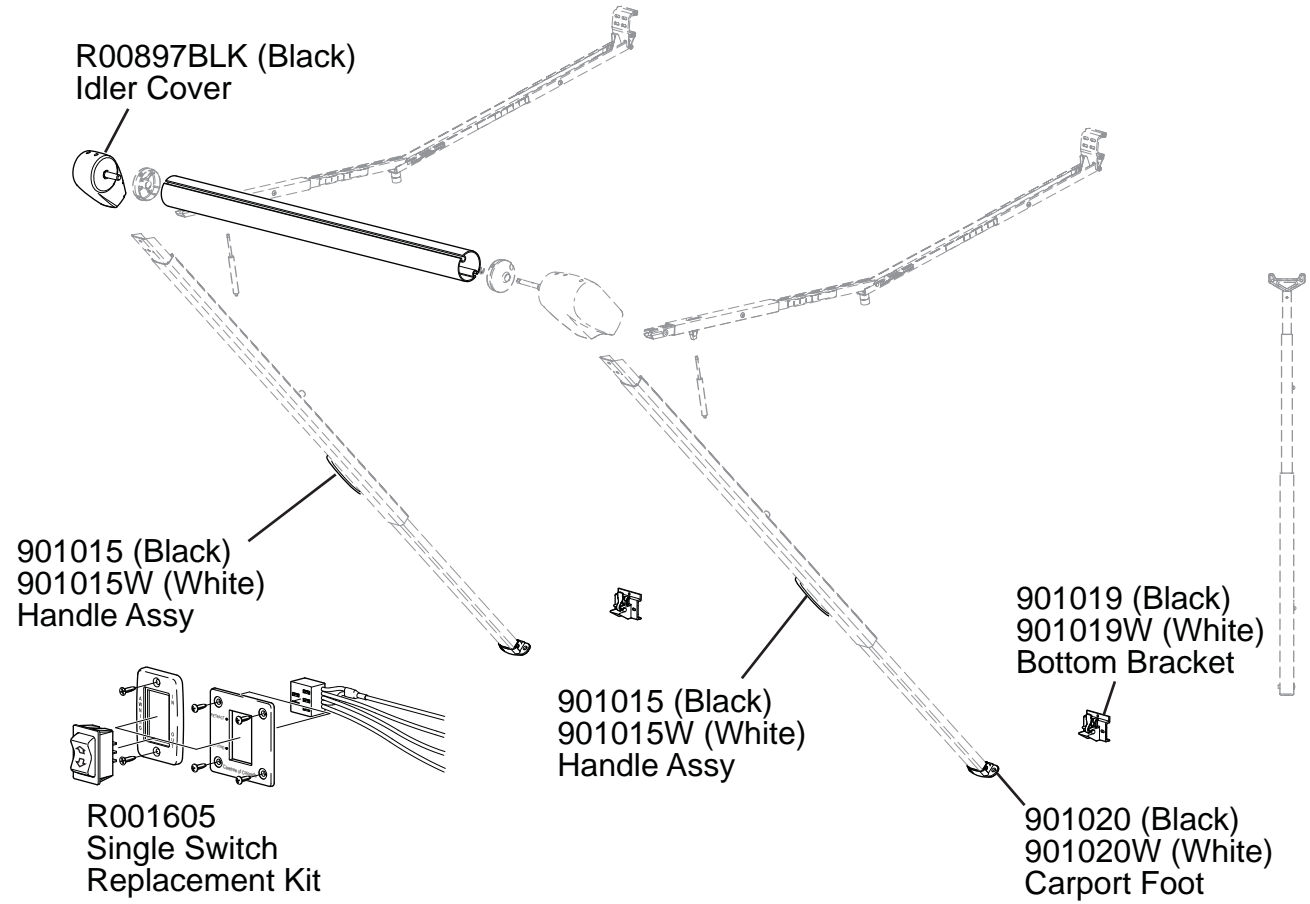
  
901067  
Tractioner (qty: 2)

**Components in GRAY**  
are no longer available.

  
R00772  
Motor Only  
Silver Motor Only  
Black Motor NLA



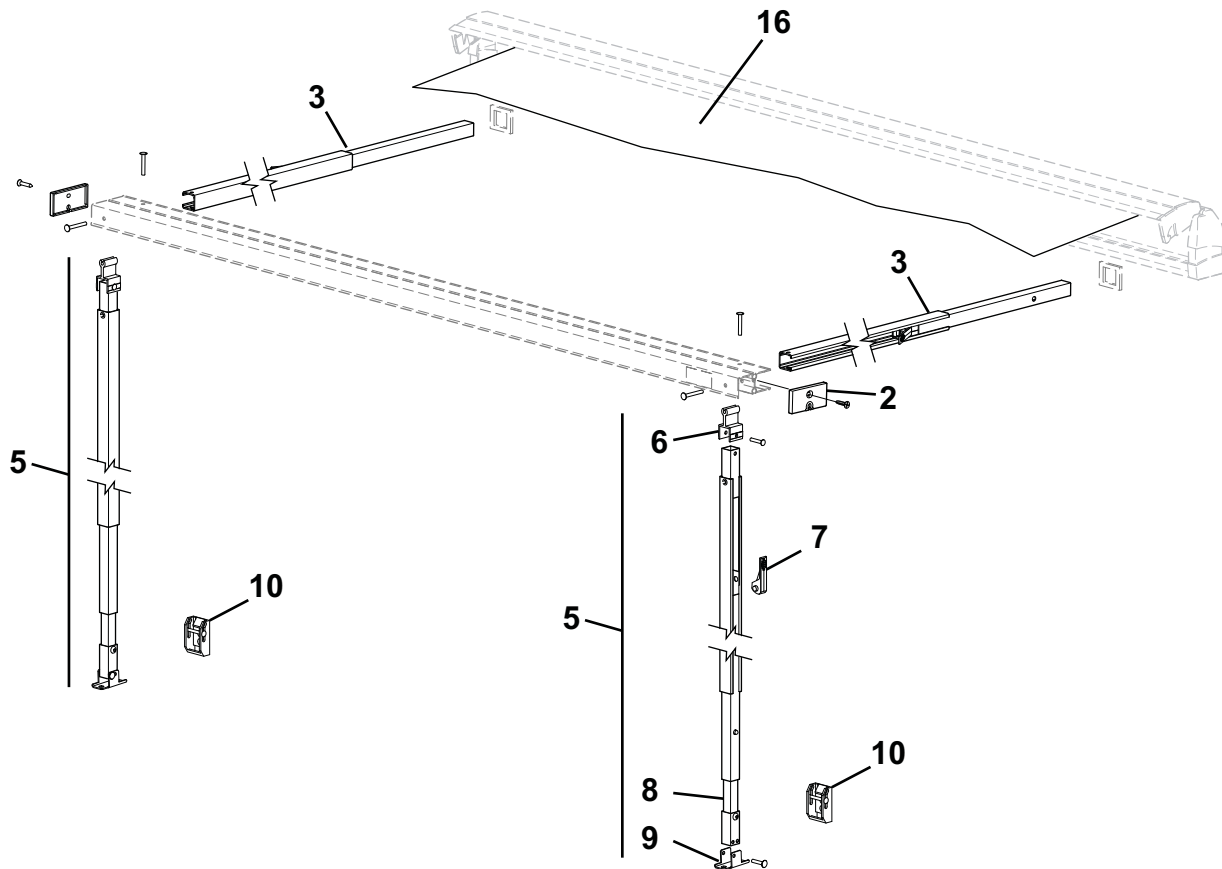
QUICK 'N' EZ ILLUSTRATED PARTS LIST



Components in GRAY are no longer available.

QZ501

SIDEWINDER II ILLUSTRATED PARTS LIST



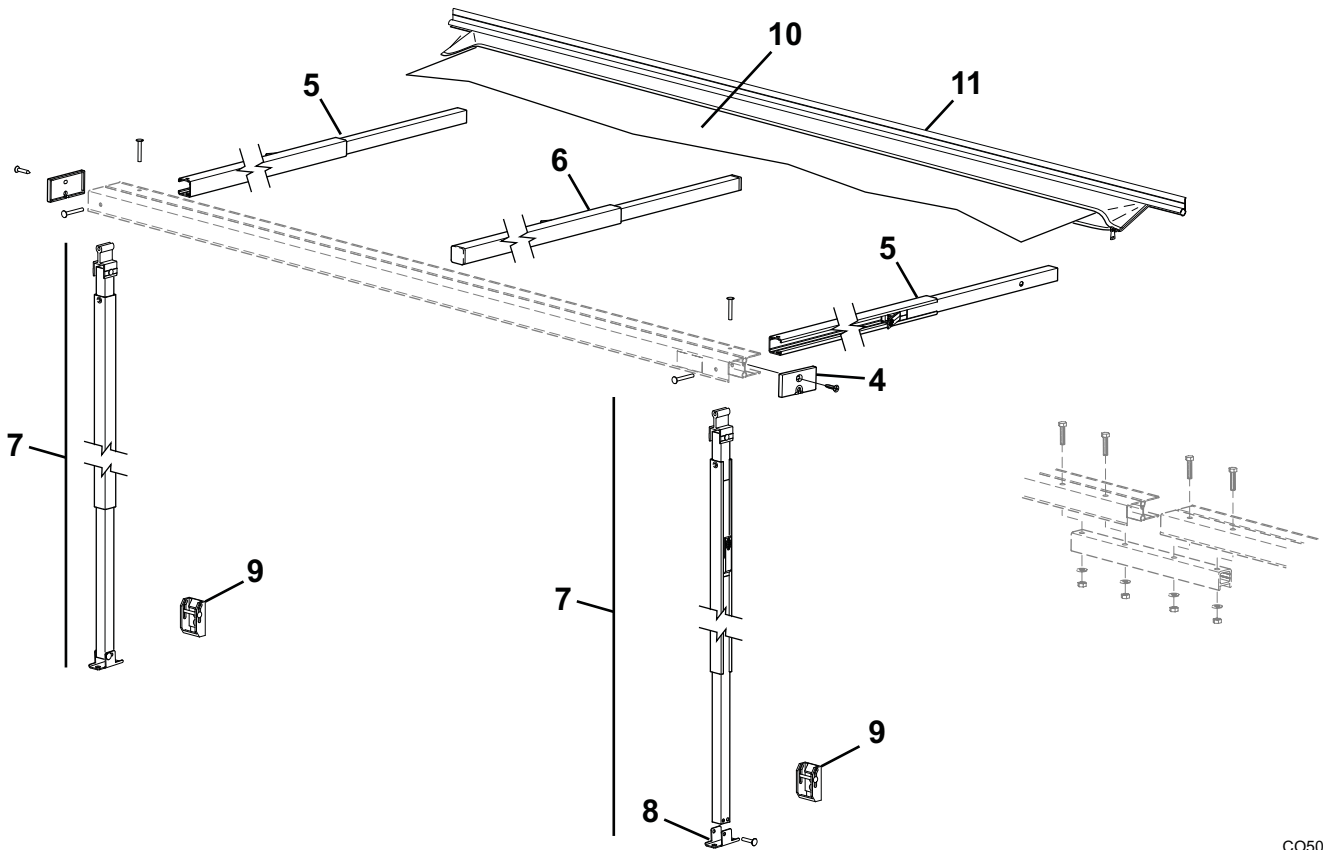
Components in **GRAY** are no longer available.

SW501

Item	Part Number	Description		Notes
2	R00396	End Cap	2 per pkg	
3	R00584	Rafter Assy	8' - 9'	
	R00585	Rafter Assy	10'	
5	R00581	Support Arm Assy	8'	
	R00582	Support Arm Assy	9'	
	R00583	Support Arm Assy	10'	
6	R00353	Pivot Block		
7	R00144	Flipper Latch Assy		2
8	R00587	Telescoping Extender	6' - 8'	
9	R00394	Carport Foot		
10	R00038	Bottom Bracket Assy	qty 1	
16		Canopy Only	Refer to Canopy Order Form	
17	R00588	Hardware Pack	Not Shown	

NOTE: 1. Parts shown in gray are no longer available.  
 2. Replacement flipper latches are orange.

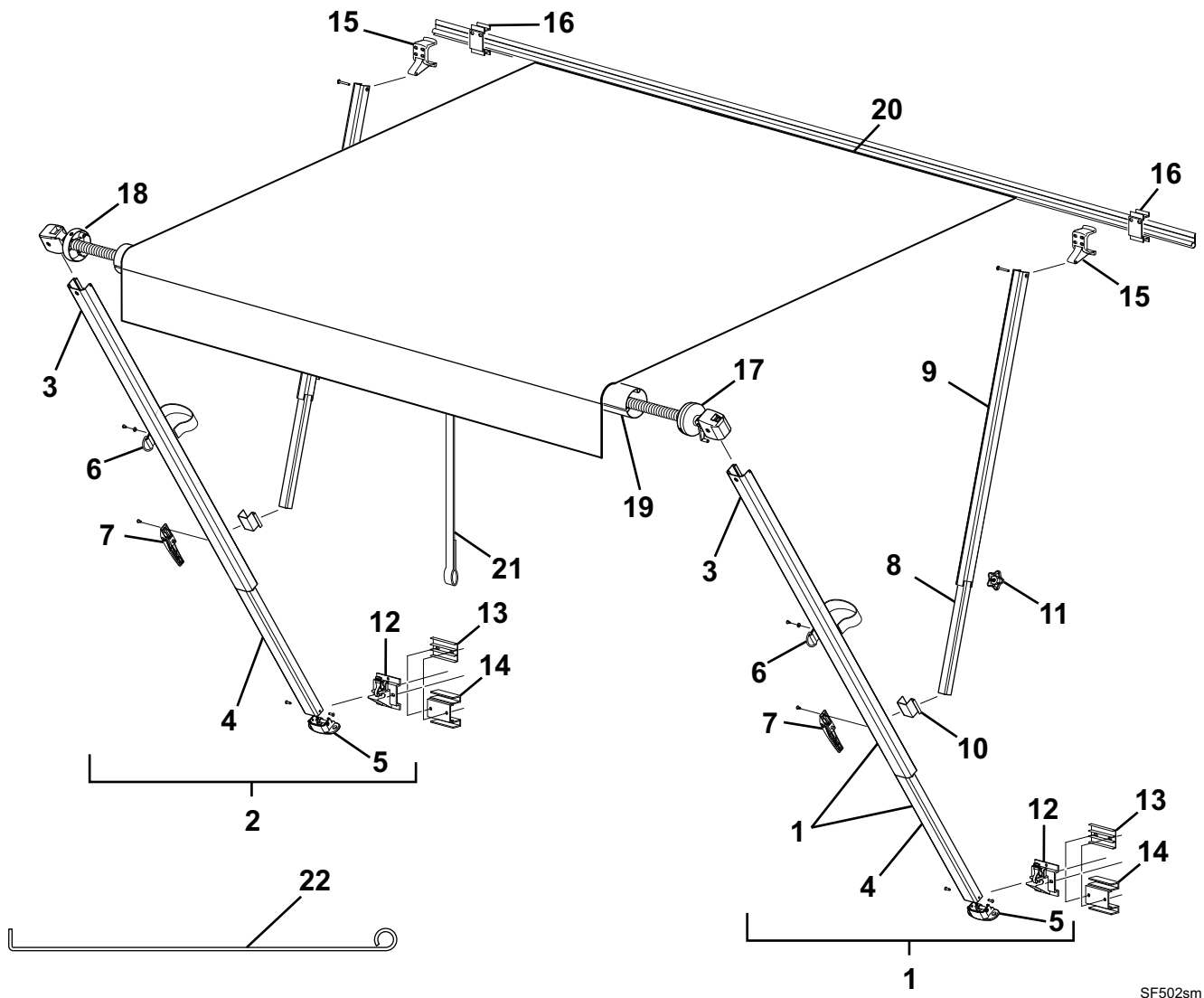
CAMPOUT (STANDARD) ILLUSTRATED PARTS LIST



CO501

Item	Part Number	Description	Notes
4	R00396	End Cap (Qty 2)	
5	R00574	Rafter Assy	6'
	R001639	Rafter Assy	7' - 8'
	R001656	Rafter Assy	9' - 12'
6	R001640	Rafter Assy, Center	Used w/ 11' & 12' only
7	R001684	Support Arm Assy	6'
	R001683	Support Arm Assy	7'
	R001006	Support Arm Assy	8' - 9'
	R001638	Support Arm Assy	10' - 12'
	R001006	Support Arm Assy	UPS Shippable 9'
8	R00394	Carport Foot	
9	R019283-231	Bottom Bracket Kit	pkg of 2
10		Canopy Only	Refer to Canopy Order Form
11		Awning Rail	See Hardware and Accessories
12	R00088	Hardware Pack Campout	Not Shown

SIMPLICITY ILLUSTRATED PARTS LIST



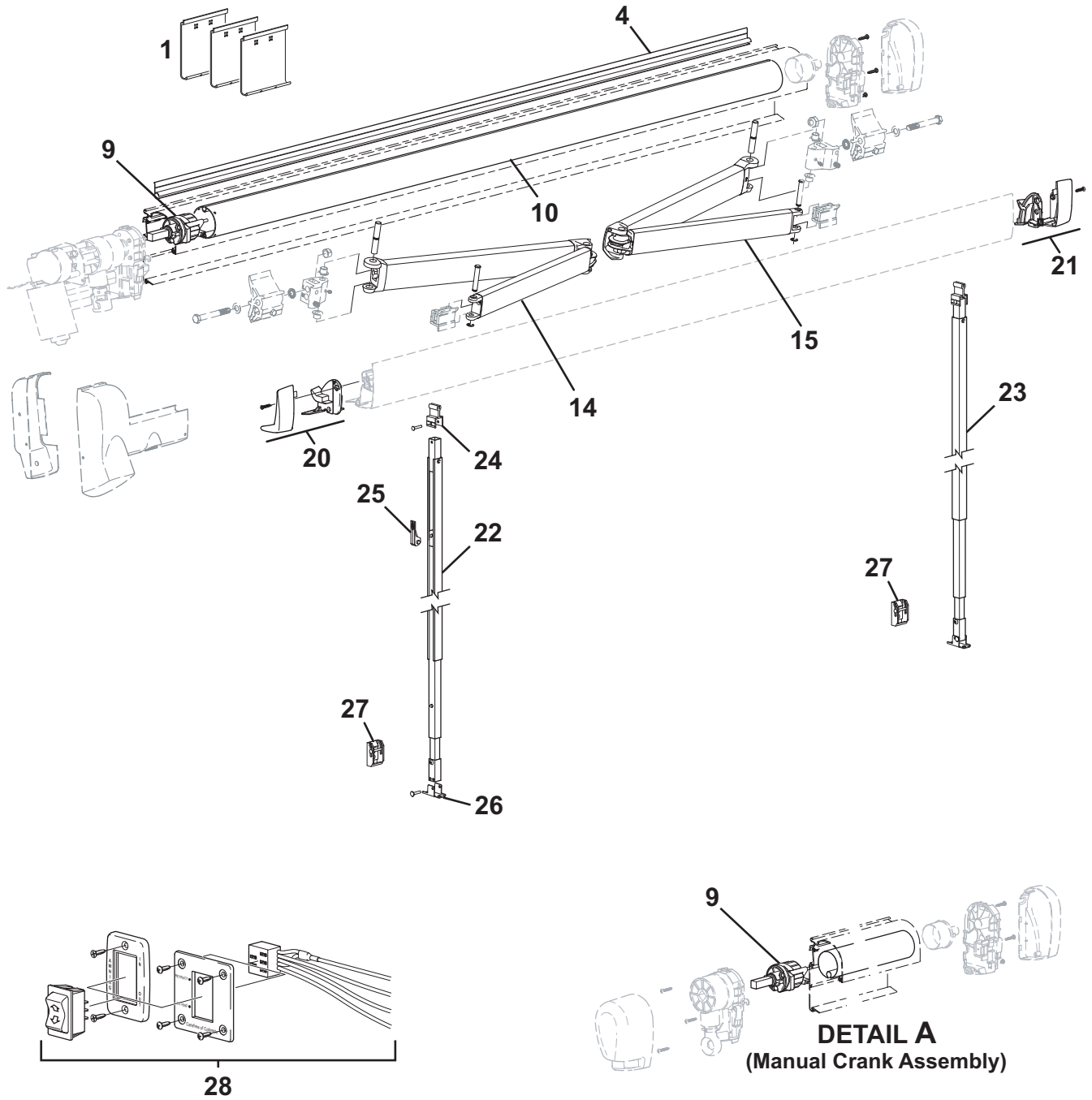
SF502sm

Item	Part Number	Description	Notes
1	R00415-401-X0	Arm Assy, 1/2 Set	Right 1,2
2	R00416-401-X0	Arm Assy, 1/2 Set	Left 1,2
3	R00410-401-X0	Upper Main Arm (includes items 6, 7)	1,2
4	R00412-401-X0	Lower Main Arm (includes Item 5)	1,2
5	249104UP	Carport Foot	Unpainted
6	R00532	Travel Strap	
7	901015W	Handle, White	
	901015	Handle, Black	
8	R00414-4nn-X0	Lower Brace (includes item 10)	1,2
9	R00413-4nn-X0	Upper Brace (includes items 11, 15)	1,2
10	R00405	Brace Slider	
	R00549	Brace Slider	Pre1997
11	901022	Locking Knob	
12	R00935	Bottom Bracket	pkg of 2
13	R00716	Bottom Bracket, Shim	pkg of 2
14	169037	Bottom Bracket Stand-Off	pkg of 2
15	249162UP	Top Bracket	
16	249153	Top Bracket Stand-Off	pkg of 2
17	R00925MIL-A	Spring Assy, RH	8'-18'
	R00926MIL-A	Spring Assy, RH	18' 1" and longer
18	R00923MIL-A	Spring Assy, LH	8'-18' Width
	R00924MIL-A	Spring Assy, LH	18' 1" and longer
19	19xx00	Roller Tube, 4-slot	3 1/2" Dia
20		Canopy Only	Refer to Canopy Order Form
21	901011	Pull Strap	
22	901035	Pull Wand	43"
	901035XL	Pull Wand	61"
<i>The following items are not shown</i>			
	R012804-002	Hardware Pack	

Notes: 1. XX = Color -00 = Satin w/ unpainted Castings -50 = White w/ unpainted Castings  
 2. nn = Arm style, refer to page

# FREEDOM SERIES PATIO ILLUSTRATED PARTS LIST (SERIES CODE TW)

- MANUFACTURED PRIOR TO 12-08



FIII503

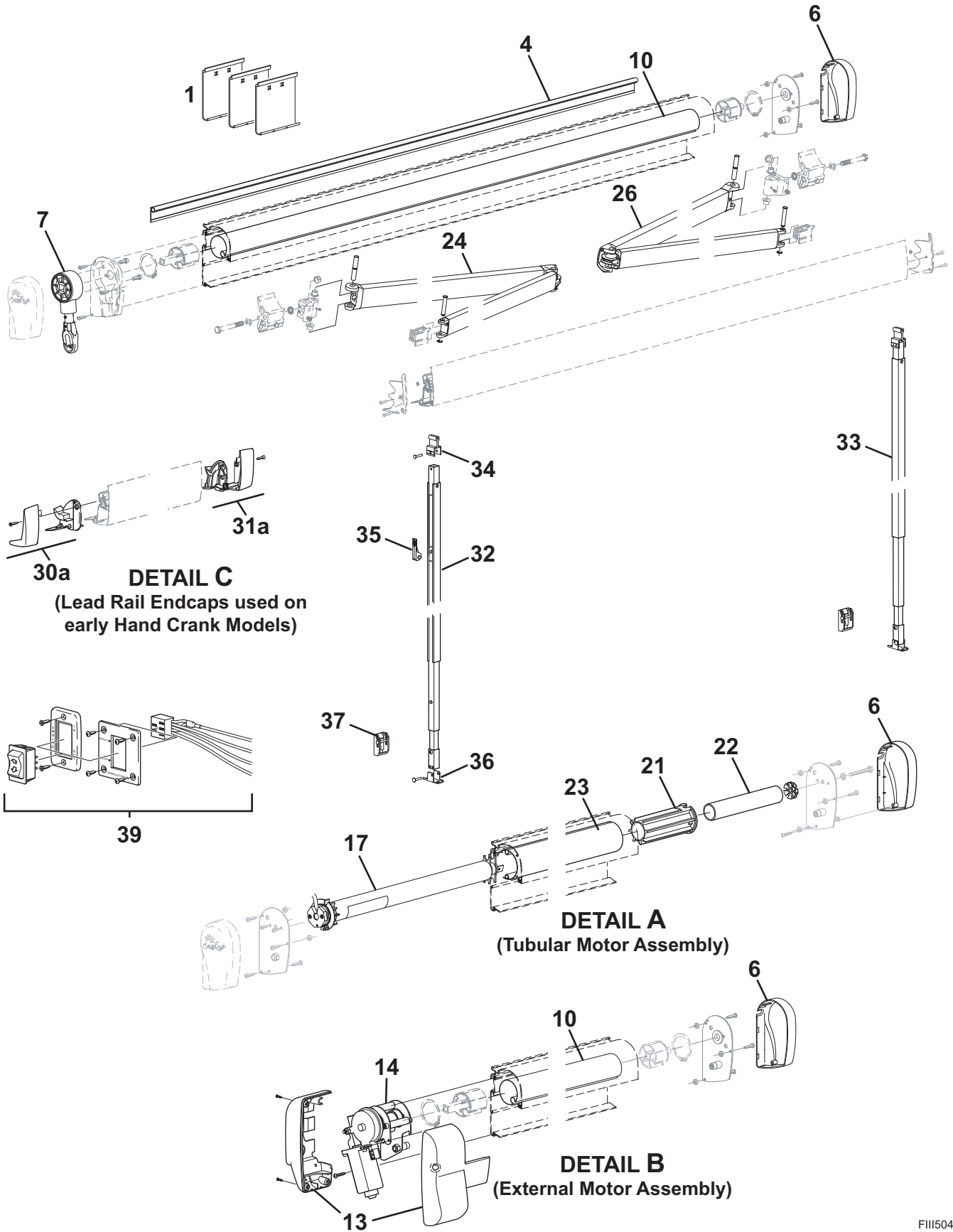


<b>Item</b>	<b>Part Number</b>	<b>Description</b>	<b>Notes</b>
<b>1</b>	R019311-001	Bracket Kit	8'-13' 2
<b>4</b>		Awning Rail	See Hardware and Accessories
<b>9</b>	R062600-003	Roller Tube End Plug	LH
<b>10</b>		Roller Tube	See Hardware and Accessories
<b>14</b>	R012530-TB68L	LH Spring Arm 8'	
	R012530-TB76L	LH Spring Arm 9'	
	R012530-TB94L	LH Spring Arm 10'-13'	
<b>15</b>	R012530-TB68R	RH Spring Arm 8'	
	R012530-TB76R	RH Spring Arm 9'	
	R012530-TB94R	RH Spring Arm 10'-13'	
<b>20</b>	R001027XXX	End Plate, Lead Rail	LH 1
<b>21</b>	R001028BLK	End Plate, Lead Rail, Black Only	RH 1
<b>22,23</b>		Ground Support	
		Awning Length <b>(22)</b> LH <b>(23)</b> RH	
		8 foot R00201 R00205	
		9 foot R00202 R00206	
		10-13 feet R00203 R00207	
<b>24</b>	R001652	Pivot Block	
<b>25</b>	R00144	Flipper Latch Assy	4
<b>26</b>	R00394	Carport Foot	
<b>27</b>	R00038	Bottom Bracket	Qty 1
<b>28</b>	R001605	Switch Kit	3
<b>29</b>		Crank Handle	See Hardware and Accessories

- Notes:
1. XXX = Color.
  2. Brackets available in kits only. All kits include carriage bolts, washers and nuts.
  3. Switch Kit (item 29) replaces all previous single switch kits. Kit includes instructions for replacing older switches.
  4. Replacement Flipper Latch is orange.

# FREEDOM SERIES PATIO ILLUSTRATED PARTS LIST (SERIES CODE AV)

- MANUFACTURED AFTER 01-09



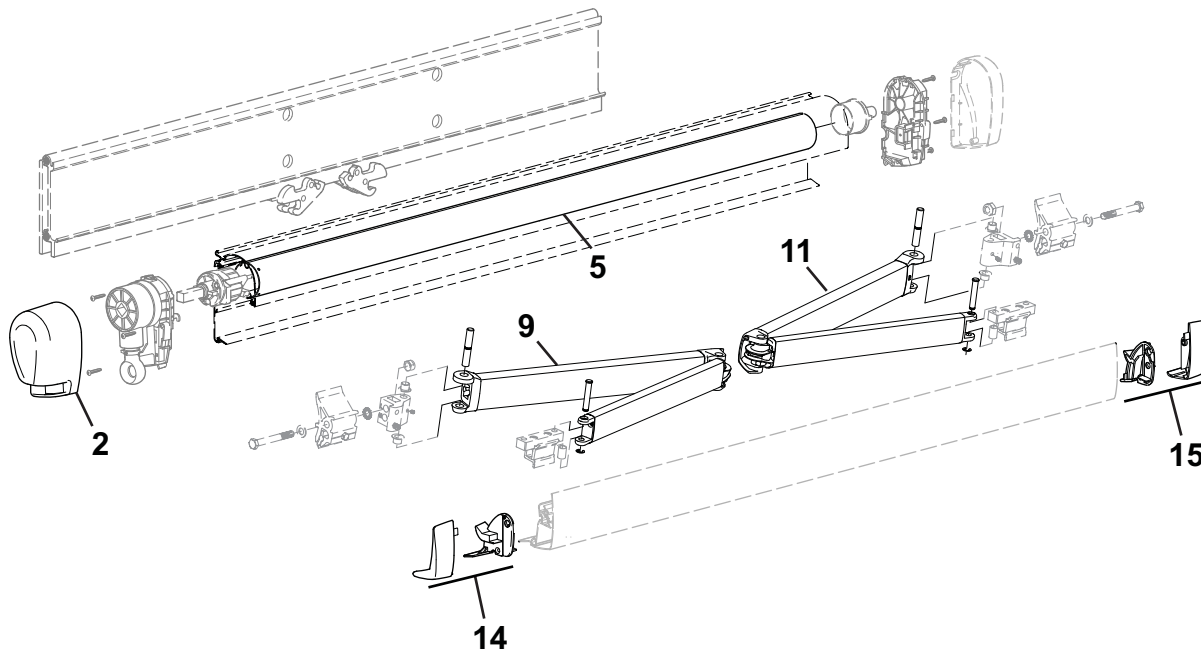
FIII504

Item	Part Number	Description	Notes
1	R019311-001	Bracket Kit	8'-11' 2
4		Awning Rail	See Hardware and Accessories
6	R001199XXX	End Cap, RH	
7	R062777-XXX	Manual Crank Assy	
10		Roller Tube, 1 7/8, Steel	See Hardware and Accessories
13	R001503XXX	End Cap Kit, 2-pieces, LH	External Motor
14	R001502XXX	Motor Assy (includes end caps)	External Motor
17	R001189	Motor, Tubular	3
21	R001188	Bushing, Roller Tube	RH
22	R034923-001	Pivot Tube, Roller Tube	RH
23		Roller Tube, 2 1/4	See Hardware and Accessories
24	R012530-TB68L	LH Spring Arm 8'	
	R012530-TB76L	LH Spring Arm 9'	
	R012530-TB94L	LH Spring Arm 10'-13'	
26	R012530-TB68R	RH Spring Arm 8'	
	R012530-TB76R	RH Spring Arm 9'	
	R012530-TB94R	RH Spring Arm 10'-13'	
30a	R001027XXX	End Plate, Lead Rail	SEE NOTE 4 LH 4
31a	R001028BLK	End Plate, Lead Rail, Black Only	SEE NOTE 4 RH 4
32,33		Ground Support	
		Awning Length (22) LH (23) RH	
		8 foot R00201 R00205	
		9 foot R00202 R00206	
		10-13 feet R00203 R00207	
34	R001652	Pivot Block	
35	R00144	Flipper Latch Assy	6
36	R00394	Carport Foot	
37	R00038	Bottom Bracket	Qty 1
38		Hand Crank Assembly	See Hardware and Accessories
39	R001605	Switch Kit	5

- Notes:
1. XXX = Color.
  2. Brackets available in kits only. All kits include carriage bolts, washers and nuts.
  3. Motor assembly (item 17) includes drive and bearing.
  4. Plastic lead rail plates (30a, 31a) used on early hand crank models.
  5. Switch Kit (item 29) replaces all previous single switch kits. Kit includes instructions for replacing older switches.
  6. Replacement latch levers are orange.

FREEDOM OTD SLIDER ILLUSTRATED PARTS LIST

- MANUFACTURED PRIOR TO SEPT 2008



Components in **GRAY** are no longer available.

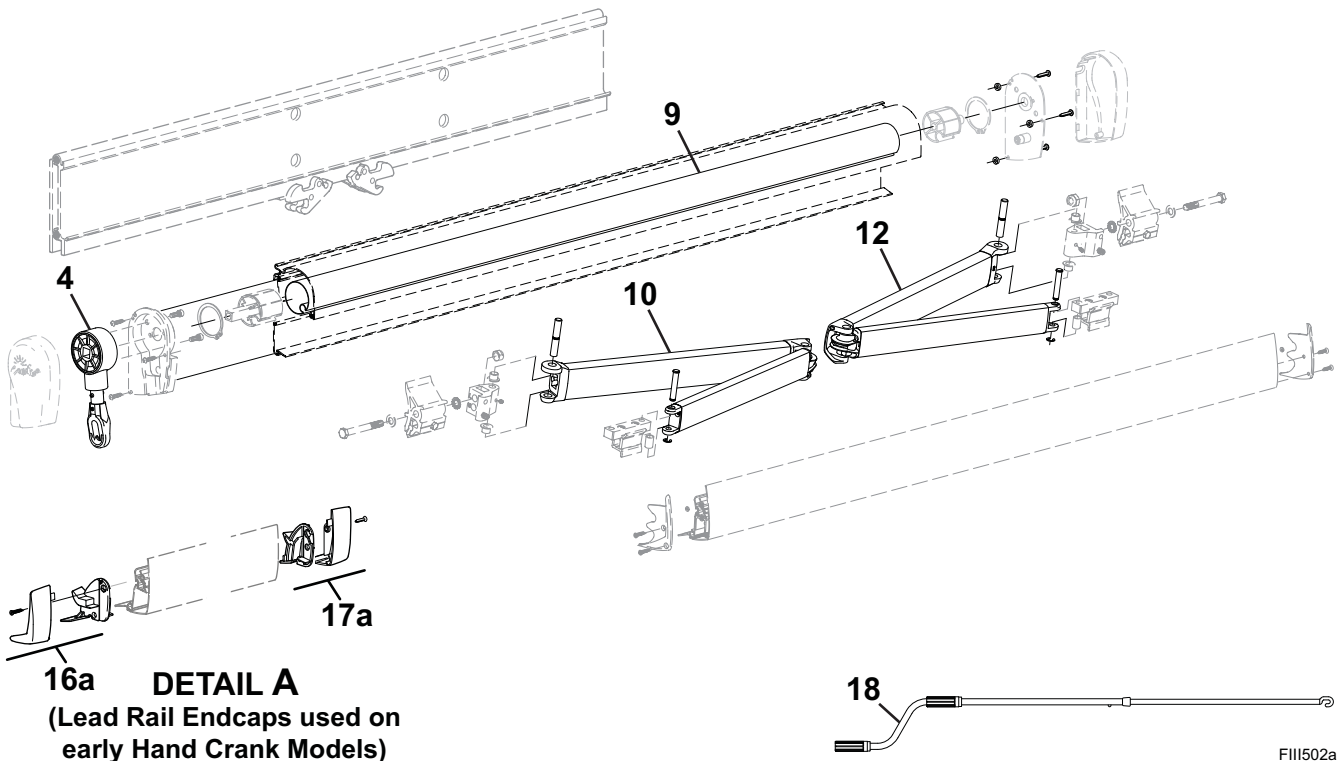
F111502

Item	Part Number	Description	Notes
2	R001026XXX	End Cap, Manual Crank	LH 1
5		Roller Tube, 1 7/8	See Hardware and Accessories
9	R012530-TB32L	Spring Arm Assy	LH
11	R012530-TB32R	Spring Arm Assy	RH
14	R001027XXX	End Plate, Lead Rail	LH 1
15	R001028BLK	End Plate, Lead Rail, Black Only	RH 1
17		Canopy Only	Refer to Canopy Order Form
18		Hand Crank, Telescoping	See Hardware and Accessories
19	R001251	Shim Kit	not shown

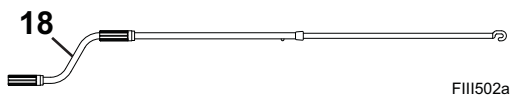
Notes: 1. XXX = Color; xxx = Length in inches.  
 2. Parts shown in gray are no longer available.

FREEDOM OTD SLIDER ILLUSTRATED PARTS LIST

- MANUFACTURED AFTER SEPT 2008



**16a**    **DETAIL A**  
 (Lead Rail Endcaps used on  
 early Hand Crank Models)



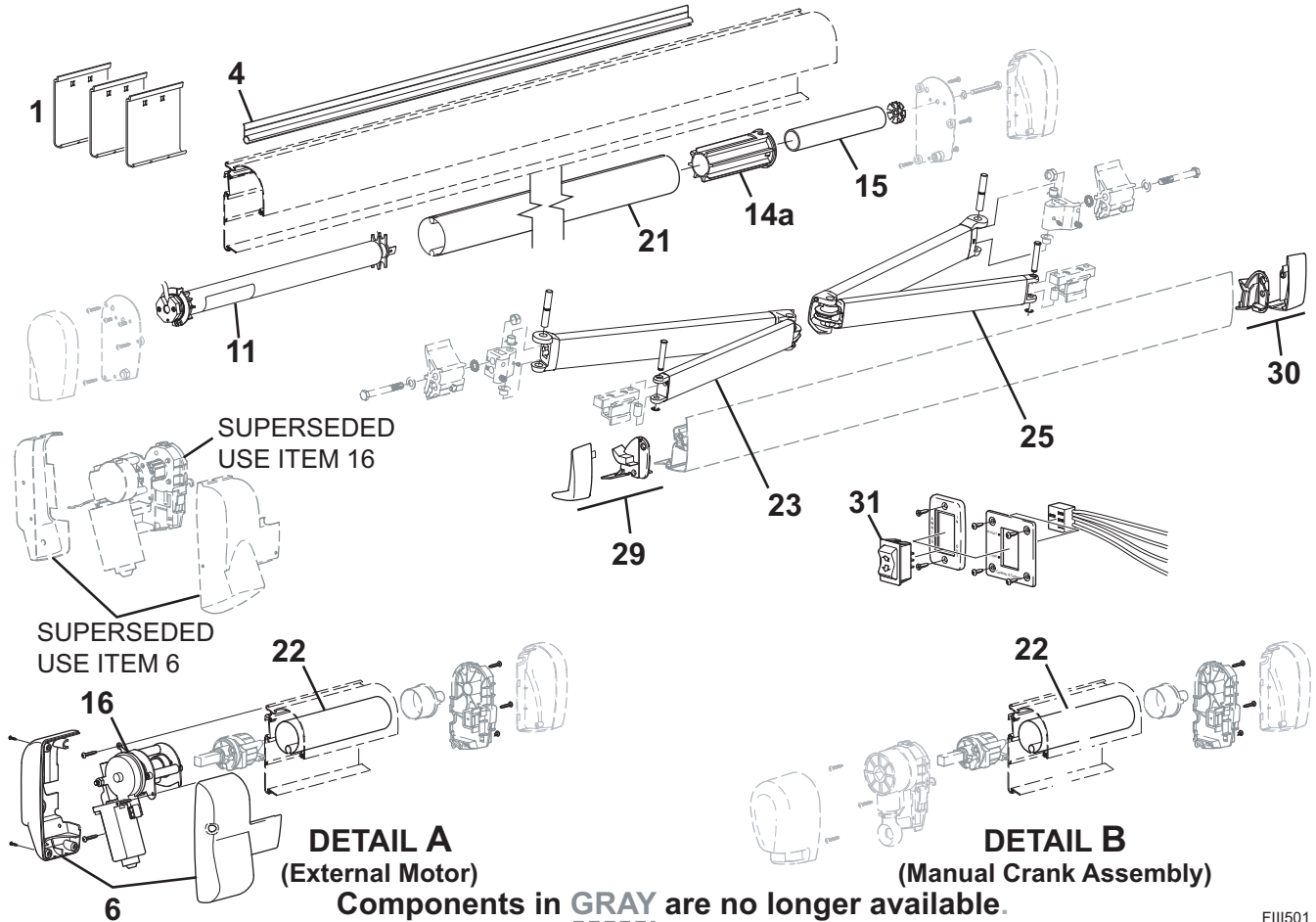
FIII502a

<i>Item</i>	<i>Part Number</i>	<i>Description</i>	<i>Notes</i>
4	R062777-00X	Manual Crank Gear Assy	
9		Roller Tube, 1 7/8, Steel	See Hardware and Accessories
10	R012530-TB32L	Spring Arm Assy	LH
12	R012530-TB32R	Spring Arm Assy	RH
16a	R001027XXX	End Plate, Lead Rail	SEE NOTE 2    LH    2
17a	R001028BLK	End Plate, Lead Rail, Black Only	SEE NOTE 2    RH    2
18		Hand Crank, Telescoping	See Hardware and Accessories
19	R001251	Shim Kit	not shown

- Notes:
1. XXX = Color.
  2. Plastic lead rail plates (16a, 17a) used on early hand crank models.
  3. Parts shown in gray are no longer available.

FREEDOM WINDOW & OTD ILLUSTRATED PARTS LIST

- MANUFACTURED PRIOR TO SEPT 2008



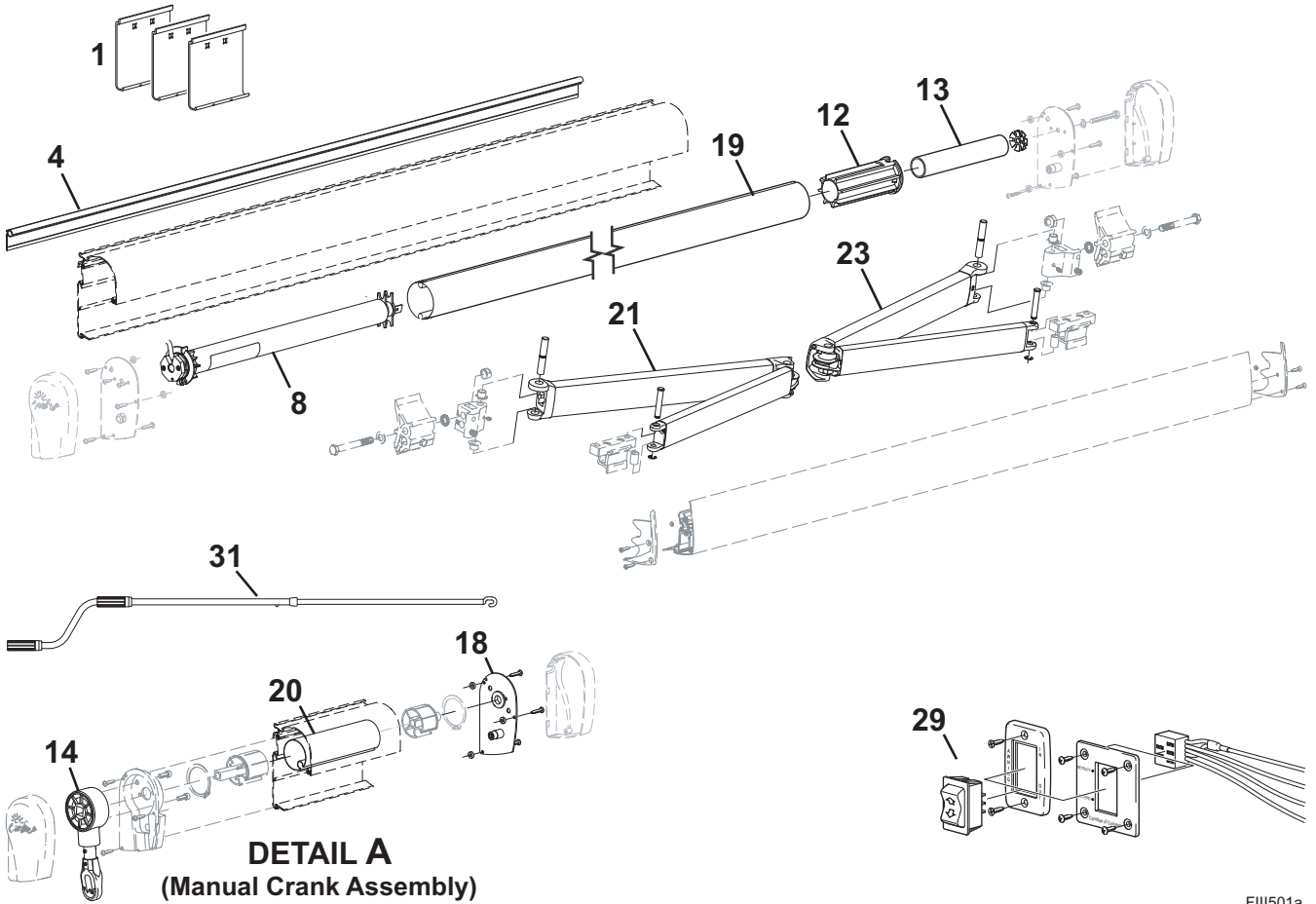
FIII501

Item	Part Number	Description		Notes
1	R019311-001	Bracket Kit	8'-13'	4
4		Awning Rail	See Hardware and Accessories	
6	R001503XXX	End Cap, Motor (2 pieces)	LH	3
11	R001189	Motor, Tubular		2, 5
14a	R001188	Bushing, Roller Tube	RH	2, 5
15	R034923-001	Pivot Tube, Roller Tube	RH	2
16	R001502XXX	Motor & End Cap Assembly, Worm Drive		3
21		Roller Tube, 2 1/4	See Hardware and Accessories	
22		Roller Tube, 1 7/8	See Hardware and Accessories	
23	R012530-TB32L	Spring Arm Assy	LH	
25	R012530-TB32R	Spring Arm Assy	RH	
29	R001027XXX	End Plate, Lead Rail	LH	
30	R001028BLK	End Plate, Lead Rail, Black Only	RH	
31	R001605	Switch Kit		6

- Notes:
1. XXX = Color.
  2. Used on motorized models Mid-2005 and ON.
  3. Silver motor used on motorized models prior to Mid-2005.
  4. Brackets available in kits only. All kits include carriage bolts, washers and nuts.
  5. Motor Replacement Kit (item 11) includes bearing and drive.
  6. Switch kit (item 31) contains switch and bezels. Kit replaces all previous switches.

FREEDOM WINDOW & OTD ILLUSTRATED PARTS LIST

- MANUFACTURED AFTER SEPT 2008

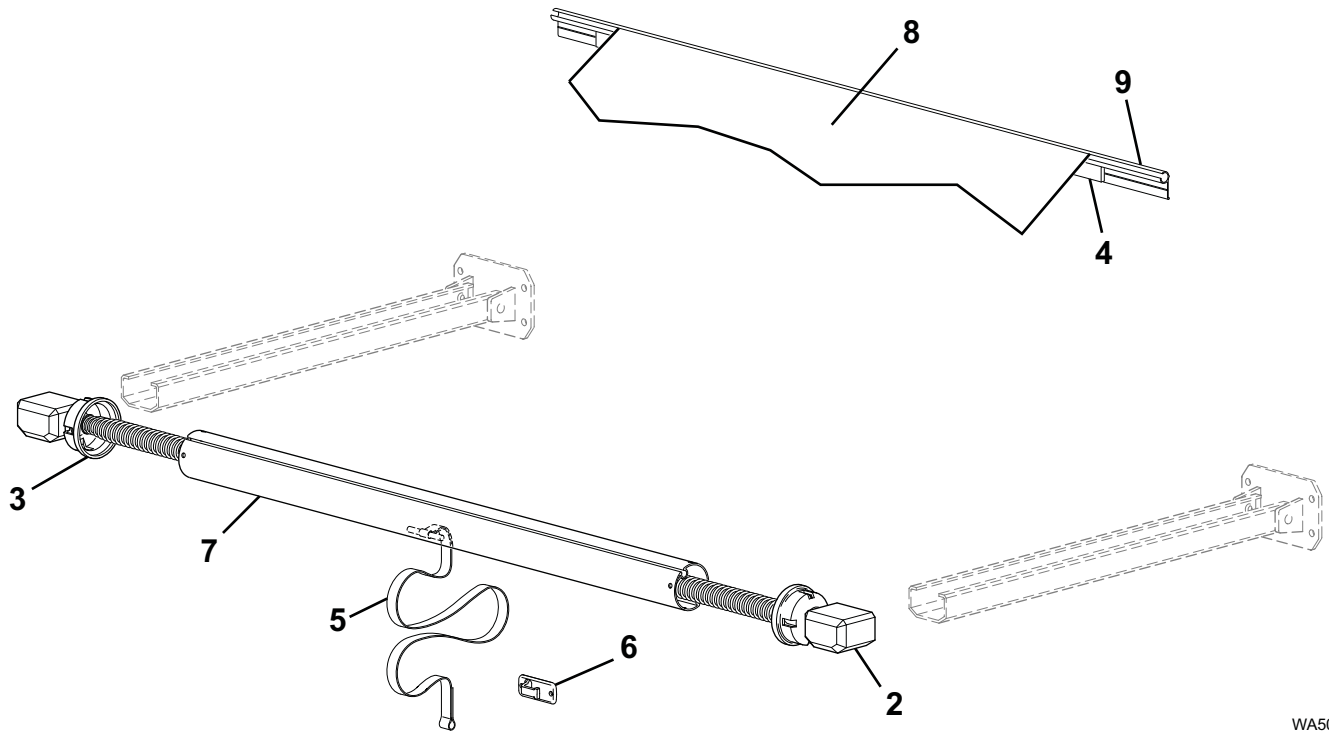


FIII501a

Item	Part Number	Description	Notes
1	R019311-001	Bracket Kit	8'-13' 2
4		Awning Rail	See Hardware and Accessories
8	R001189	Motor, Tubular	3
12	R001188	Bushing, Roller Tube	RH
13	R034923-001	Pivot Tube, Roller Tube	RH
14	R062777-XXX	Manual Crank Assy	
18	R001539	End Plate, Housing, Manual Crank	RH
19		Roller Tube, 2 1/4	See Hardware and Accessories
20		Roller Tube, 1 7/8, Steel	See Hardware and Accessories
21	R012530-TB32L	Spring Arm Assy	LH
23	R012530-TB32R	Spring Arm Assy	RH
29	R001605	Switch, DPDT, Momentary Contact	Ext/Ret 4
31		Hand Crank Assembly	See Hardware and Accessories
32	R001251	Shim Kit	not shown

- Notes:
1. XXX = Color; xxx = Length in inches.
  2. Brackets available in kits only. All kits include carriage bolts, washers and nuts.
  3. Motor Replacement Kit (item 8) includes bearing and drive.
  4. Switch kit (item 29) includes switch and bezels. Kit replaces all previous switches.

MANUAL WINDOW AWNING ILLUSTRATED PARTS LIST



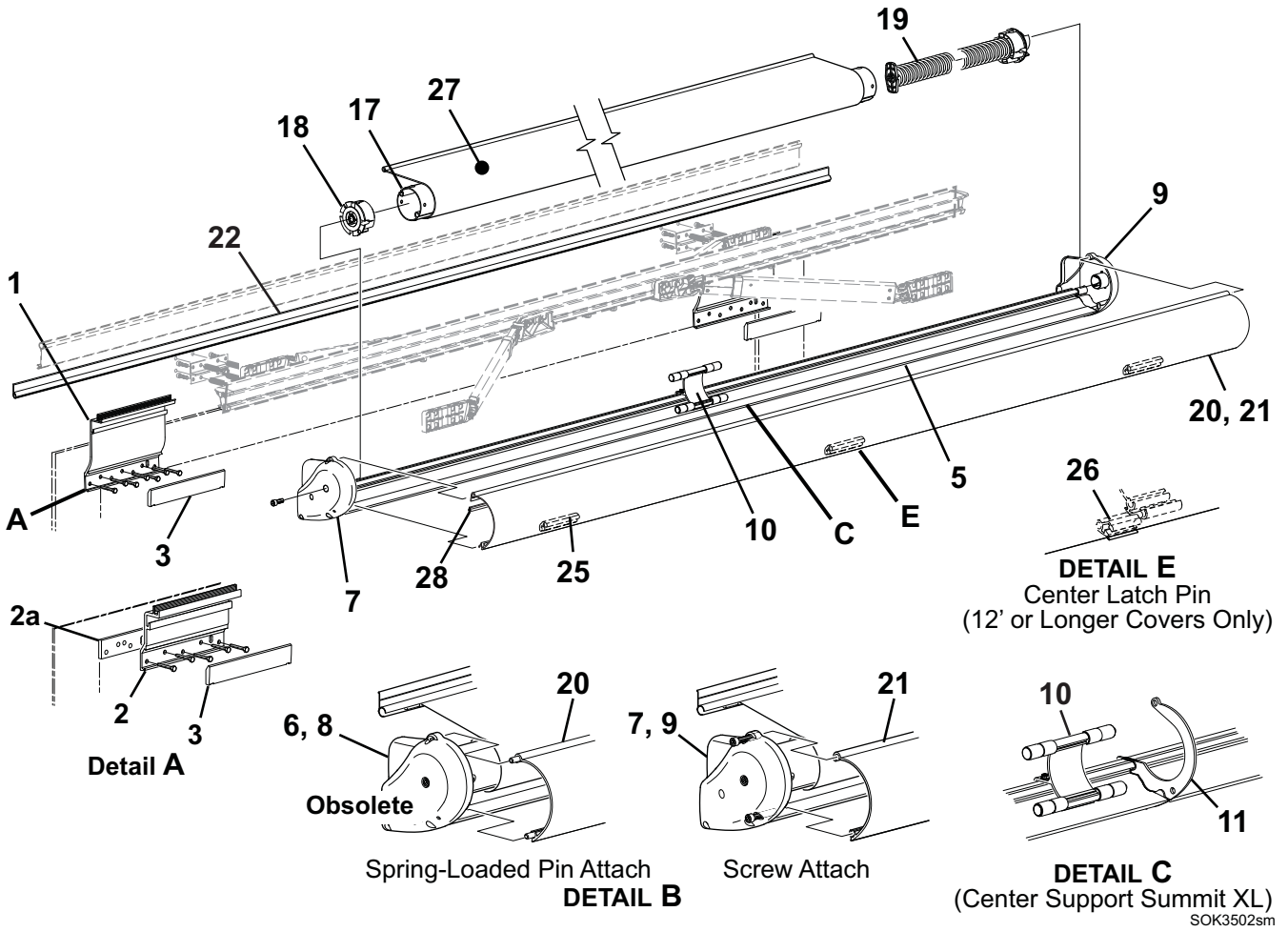
WA501

Item	Part Number	Description			Notes
2	610000XXX	Spring Assy, RH (used w/o Alumaguard)	Standard	XL	1
	610004XXX		3' thru 8'	3' thru 6.5'	1
	610008XXX		9' thru 12'	7' thru 12'	1
	610002XXX	Spring Assy, RH (used w/ Alumaguard)	Standard	XL	1
	610006XXX		3' thru 8'	3' thru 6.5'	1
	610010XXX		9' thru 12'	7' thru 12'	1
3	610001XXX	Spring Assy, LH (used w/o Alumaguard)	Standard	XL	1
	610005XXX		3' thru 8'	3' thru 6.5'	1
	610009XXX		9' thru 12'	7' thru 12'	1
	610003XXX	Spring Assy, LH (used w/ Alumaguard)	Standard	XL	
	610007XXX		3' thru 8'	3' thru 6.5'	
	610011XXX		9' thru 12'	7' thru 12'	
4	R001696	Bumper Pad			
5	901012	Pull Strap, 27"		Standard	
	R022406-044	Pull Strap, 44"		XL	
6	901044	Pull Strap Catch		Black	
	901044W	Pull Strap Catch		White	
7		Roller Tube	See Hardware and Accessories		
8		Canopy Only	Refer to Canopy Order Form		
9		Awning Rail	See Hardware and Accessories		
10	610200-xxx-XXX	Alumaguard		Not Shown	1

Notes: 1. XXX = Color; xxx = Length



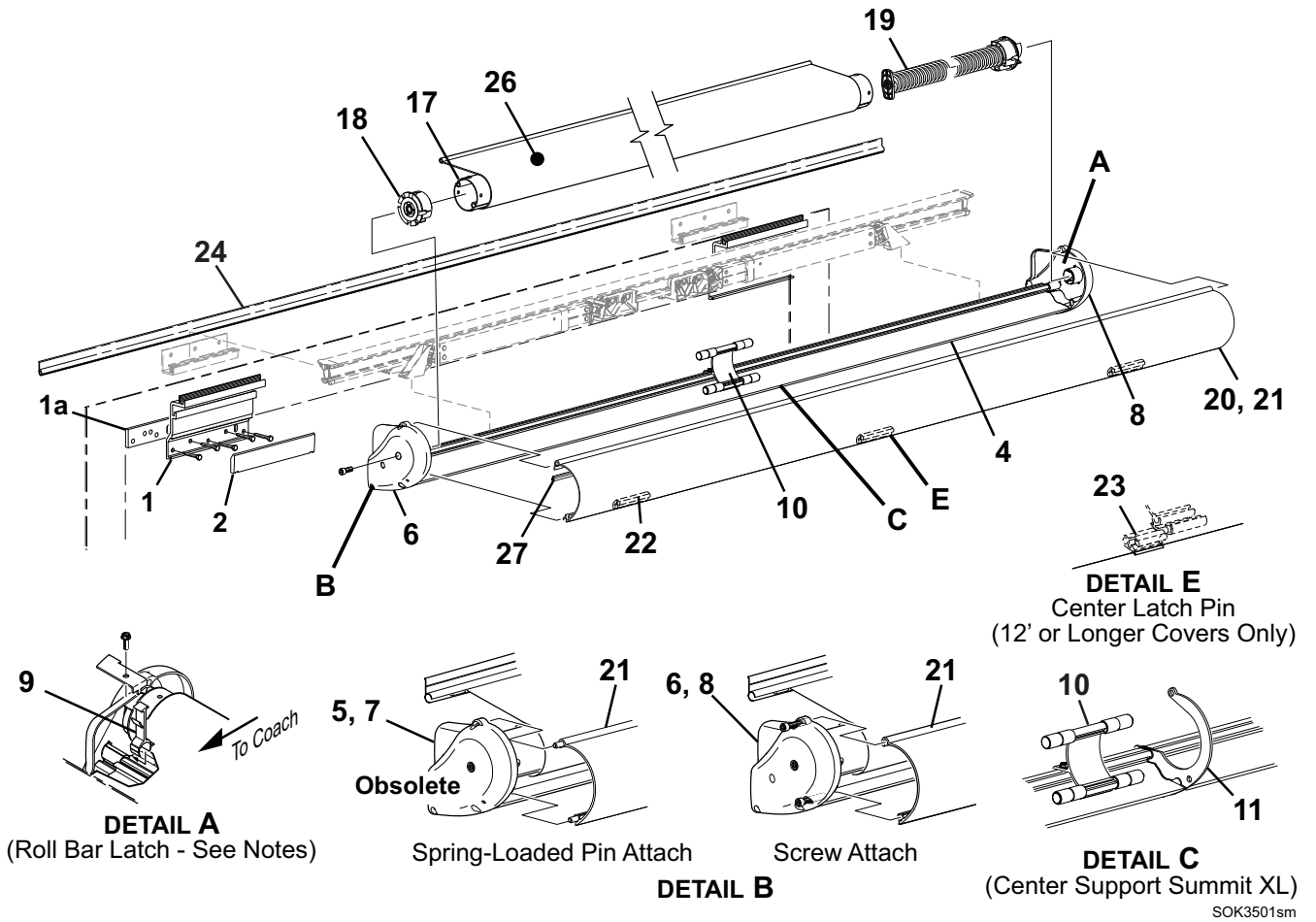
SUMMIT ILLUSTRATED PARTS LIST



<b>Item</b>	<b>Part Number</b>	<b>Description</b>	<b>Notes</b>
1	R001150XXX-T	Bracket, Deflector Mount, Tall	6"
2	R001150XXX	Bracket, Deflector Mount, Short	4.5"
2a	R001534	Spacer, 1/4", Deflector Bracket	pkg of 2
3	R001151XXX	Cover, Deflector Mount Bracket	
5	R001153XXX-xxx	Deflector Assy	
	R001338XXX-xxx	Deflector Assy, LH	XL Only 3
	R001339XXX-xxx	Deflector Assy, RH	XL Only 3
6	Obsolete	End Cap, LH	Spring Pin Cover Attach 4
7	R001520XXX	End Cap, LH	Screw Cover Attach
8	Obsolete	End Cap, RH	Spring Pin Cover Attach 4
9	R001521XXX	End Cap, RH	Screw Cover Attach
10	R001156	Roller Support	
11	R001258	Center Support Plate	XL Only
17	610400-xxx	Roller Tube	
	33xxx	Roller Tube Assy	XL Only 3
18	R001164	End Cap Assy, Roll Bar, LH	
19	R001165	Spring Assy	
	R001165XL	Spring Assy	XL Only
20	R001169XXX-xxx	Front Cover Assy, Spring Pin Attach	6
21	R001337XXX-xxx	Front Cover Assy, Spring Pin Attach	XL Only 6,7
22	0157xxx	Awning Rail	
25	R001364	Bumper, Deflector, Rubber	pkg of 4
26	R001186	Center Latch Pin	
27		Canopy Only	Refer to Canopy Order Form
28	R001562	Bumper Guard	pkg of 2 7

- Notes:
1. XXX = Color; xxx = Length in Inches
  2. The XL replacement roller tube assy includes the roll bar halves, splice, rivets, end caps and pre-wound spring.
  3. XL replacement extrusions and extrusion assemblies are sent out in two pieces and assembled during installation.
  4. End caps (Items 6, 8) are obsolete. If replacing end caps, it will be necessary to use items 7 & 9; remove the spring pins from the ends of the cover and attach the cover to the new end caps with screws. Use the product installation manual for detailed attachment instructions.
  5. For older assemblies with the spring pin attachment: If replacing the cover assembly, it will also be necessary to replace the end caps for the screw mount style (items 7, 9). New covers are mounted with screws. Also refer to note 4.
  6. XL replacement cover includes both the LH and RH halves.
  7. Set of two bumper guards (item 28) is included with canopy replacements.
  8. Summit awnings can be converted to the SOKIII by removing the lift bar assemblies.

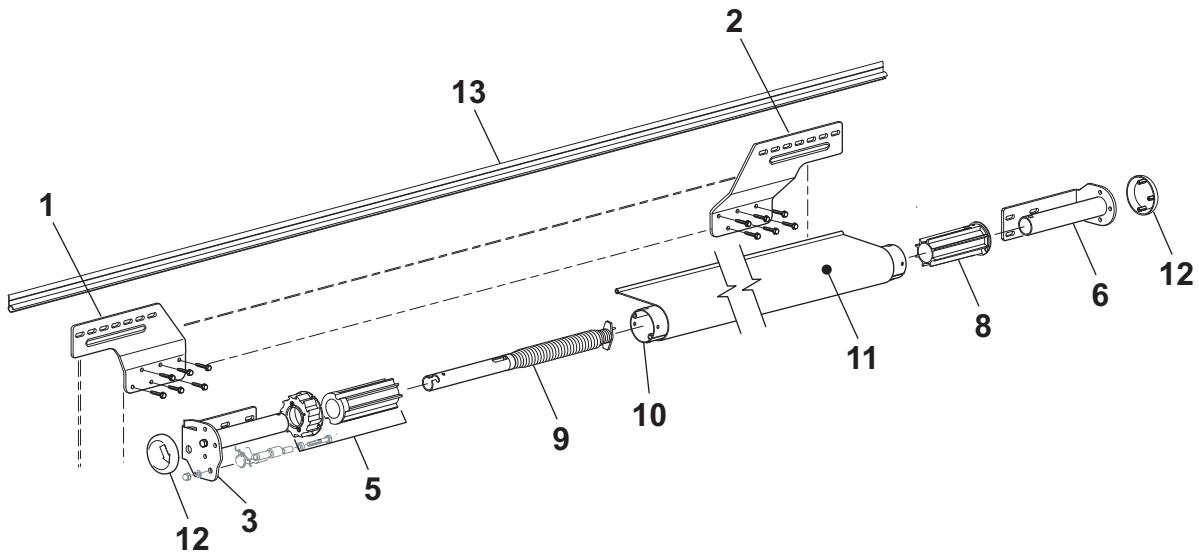
SUMMIT ILLUSTRATED PARTS LIST (OEM MODEL)



<b>Item</b>	<b>Part Number</b>	<b>Description</b>	<b>Notes</b>
<b>1</b>	R001150XXX	Bracket, Deflector Mount, Short, 4.5"	
<b>1a</b>	R001534	Spacer, 1/4", Defector Bracket	
<b>2</b>	R001151XXX	Cover, Deflector Mount Bracket	
<b>4</b>	R001153XXX-xxx	Deflector Assy	
	R001338XXX-xxx	Deflector Assy, LH	XL Only 4
	R001339XXX-xxx	Deflector Assy, RH	XL Only 4
<b>5</b>	Obsolete	End Cap, LH	Spring Pin Cover Attach 5,6
<b>6</b>	R001520XXX	End Cap, LH	Screw Cover Attach 5,6
<b>7</b>	Obsolete	End Cap, RH	Spring Pin Cover Attach 5,6
<b>8</b>	R001521XXX	End Cap, RH	Screw Cover Attach 5,6
<b>9</b>	Obsolete	Roll Bar Latch	2
<b>10</b>	R001156	Roller Support	
<b>11</b>	R001258	Center Support Plate	XL Only
<b>17</b>	610400-xxx	Roller Tube	
	33xxx	Roller Tube Assy	XL Only 3,4
<b>18</b>	R001164	End Cap Assy, Roll Bar, LH	
<b>19</b>	R001165	Spring Assy	
	R001165XL	XL Spring Assy	XL Only
<b>20</b>	R001169XXX-xxx	Front Cover Assy	7
<b>21</b>	R001337XXX-xxx	Front Cover Assy	XL Only 7,8
<b>22</b>	R001364	Bumper, Deflector, Rubber	
<b>23</b>	R001186	Center Latch Pin	
<b>24</b>	0157xxx	Awning Rail	
<b>26</b>		Canopy Only	Refer to Canopy Order Form
<b>27</b>	R001562	Bumper Guard	pkg of 2

- Notes:
1. XXX = Color; xxx = Length in Inches
  2. The roll bar latch has been discontinued. For spares order RH end cap (item 8). Also refer to note 5.
  3. The XL replacement Roller Tube Assy includes the roll bar halves, splice, rivets, end caps and pre-wound spring.
  4. XL replacement extrusions and extrusion assemblies are sent out in two pieces and assembled during installation.
  5. End caps (Items 5, 7) are obsolete. If replacing end caps, it will be necessary to use items 6 & 8; remove the spring pins from the ends of the cover and attach the cover to the new end caps with screws. Use the product installation manual for detailed attachment instructions.
  6. For older assemblies with the spring pin attachment: If replacing the cover assembly, it will also be necessary to replace the end caps for the screw mount style (items 6, 8). New covers are mounted with screws. Also refer to note 5.
  7. XL replacement cover includes both the LH and RH halves.
  8. The Summit may be converted to an SOKIII by removing the lift bar assembly and hardware.

SOKII W/ MANUAL LOCK ILLUSTRATED PARTS LIST

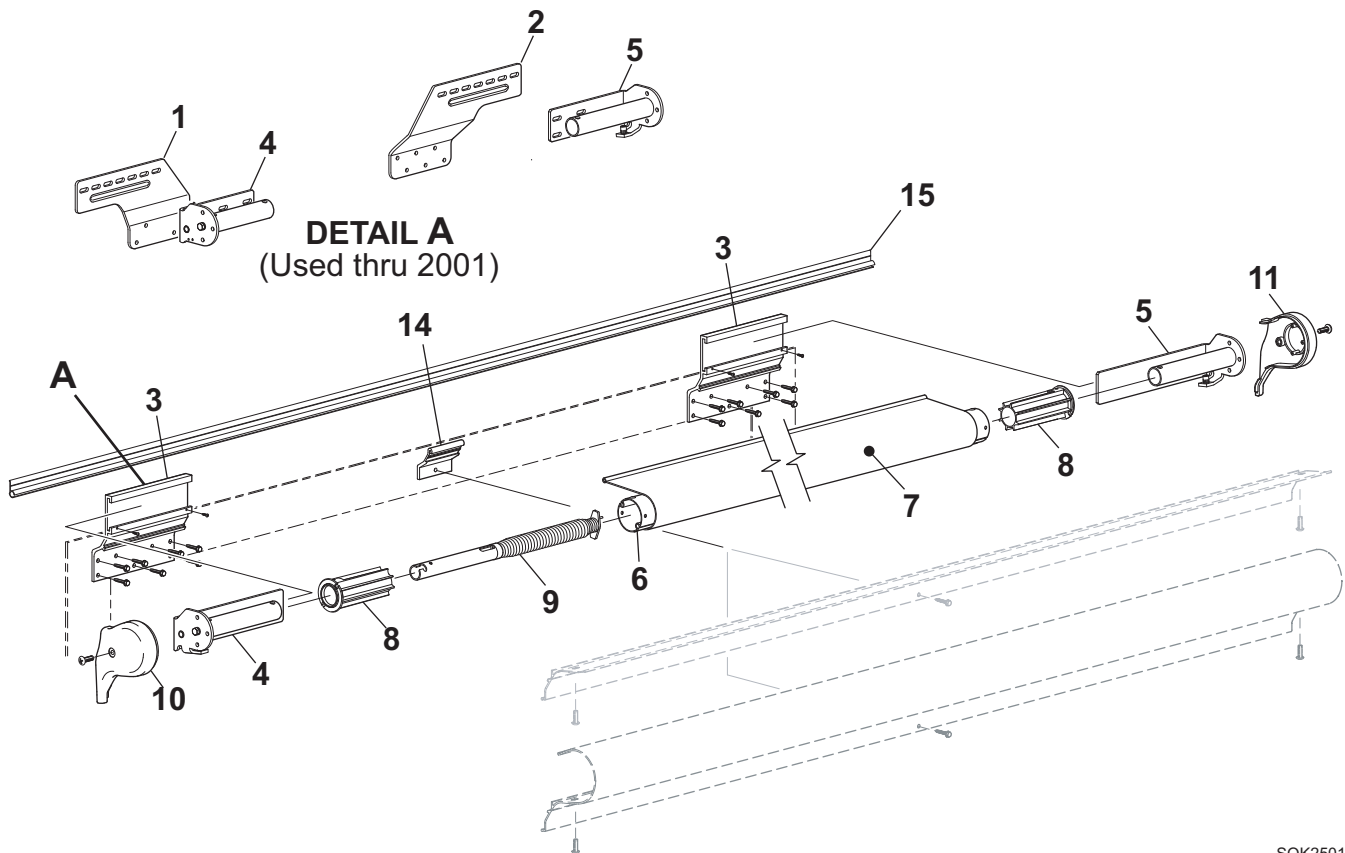


SOK1501

Item	Part Number	Description	Notes
1	R00879XXX	Mounting Bracket, LH	
2	R00880XXX	Mounting Bracket, RH	
3	R00729WHT	Pivot Bracket, LH, White only	(includes item 12)
5	R00592	Roller Sprocket Kit	
6	R00732XXX	Pivot Bracket Assy, RH	(includes end cap)
8	R00626	Bushing, RH	
9	R00731	Spring Assy	
10		Roller Tube	See Hardware and Accessories
11		Canopy Only	Refer to Canopy Order Form
12	R00958XXX	End Cap (qty: 2)	
13		Awning Rail	See Hardware and Accessories
<i>The following items are not shown</i>			
	R012983-005	Hardware Kit	White
	R012983-006	Hardware Kit	Black

Notes: 1. XXX = Color

SOKII W/ DEFLECTOR ILLUSTRATED PARTS LIST

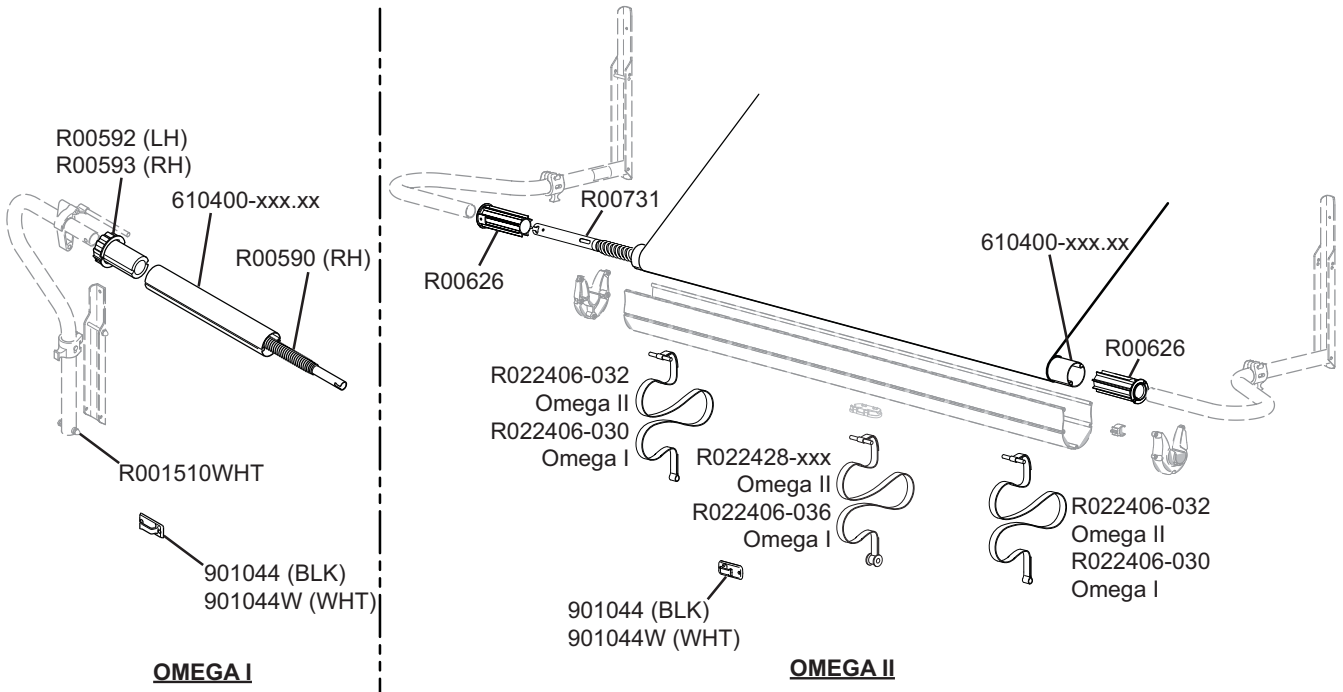


SOK2501

Item	Part Number	Description	Notes
1	R00879XXX	Mounting Bracket, LH	1,3,4
2	R00880XXX	Mounting Bracket, RH	1,3,4
3	R00955XXX	Mounting Bracket, Universal	2,3,4
	R012983-005	Hardware Pack, White	NOT SHOWN
	R012983-006	Hardware Pack, Black	NOT SHOWN
4	R00957	Pivot Bracket Assy, LH	4
5	R00956	Pivot Bracket Assy, RH	4
6		Roller Tube	See Hardware and Accessories
7		Canopy Only	Refer to Canopy Order Form
8	R00626	Bushing, Roller Tube	
9	R00731	Spring Assy	
10	R00900WHT	End Cap, LH	White Only 4
11	R00901XXX	End Cap, RH	WHT=White; BLK=Black 4
14	R00979XXX	Support Bracket	5
15		Awning Rail	See Hardware and Accessories
16	R001178WHT	Shim Kit, White Only, qty 2	not shown

- Notes:
1. Used on Model Year 2001 and earlier.
  2. Used on Model Year 2002 and On.
  3. Includes Hardware
  4. XXX = Color xxx = Length
  5. Bracket (item 15) used with deflectors longer than 5 feet or full case 12 feet or longer.

# OMEGA & OMEGA II ILLUSTRATED PARTS LIST



**Components in GRAY are no longer available.**

Omega503

The illustration above shows parts still available. Components available in white only. Fabric replacements are still available.