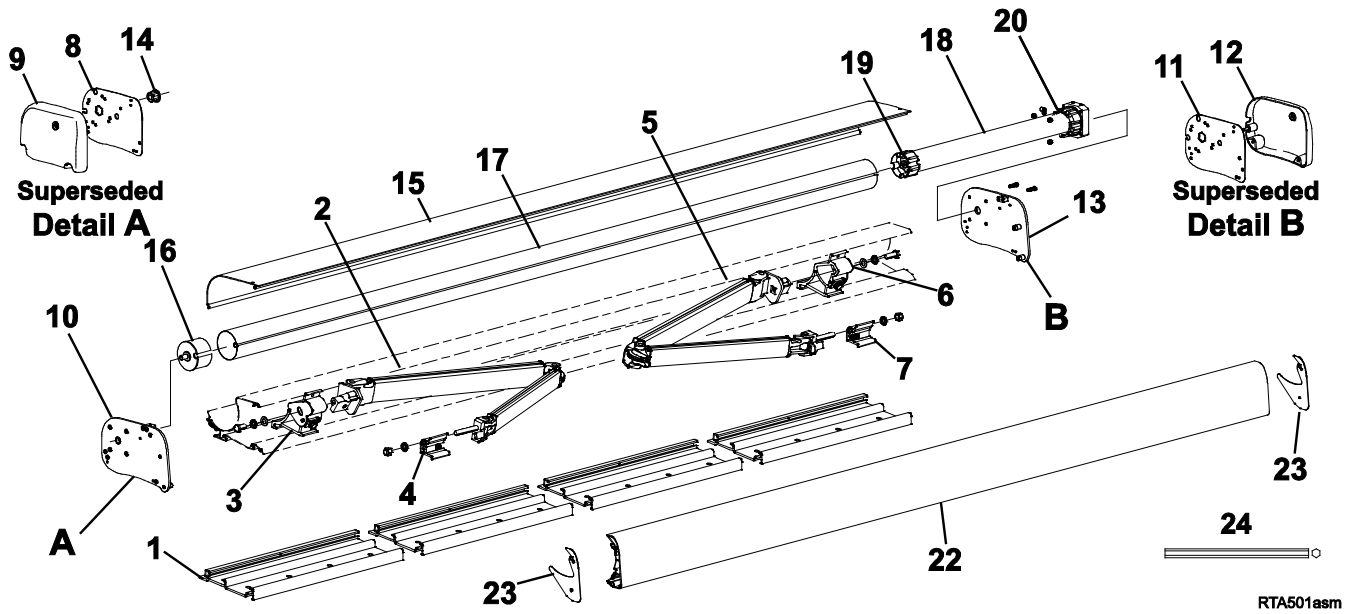


APEX ILLUSTRATED PARTS LIST (OEM MODEL)



Item	Part Number	Description	Notes
1	R076744-006	Mounting Plate	
2	R001612BLK	Spring Arm Assy, LH	5
3	R062768-001	Knuckle, LH, Spring Arm	5
4	R019263-23L	Connector, LH, Lead Rail	Black 5
5	R001614BLK	Spring Arm Assy, RH	5,6
6	R062769-001	Knuckle, RH, Spring Arm	5,6
7	R019263-23R	Connector, RH, Lead Rail	Black 5,6
8	Superseded	End Plate, Housing, LH	FSO R001190XXX 2
9	Superseded	End Cap, LH	
10	R001190XXX	End Plate Assy, LH	
11	Superseded	End Plate, Housing, RH	FSO R001191XXX 3
12	Superseded	End Cap, RH	
13	R001191XXX	End Plate Assy, RH	
14	R062755-001	Glide Bushing, LH	4
15	R001257XXX-xxx	Top Cover	RH Motor
	R001579PBL-xxx	Top Cover	LH Motor
16	R001054	Plug, Roller Tube	
17	R001076-xxx.xx	Roll Bar	1 7/8 Dia
18	R001055	Motor Assy	
19	R030886-001	Drive Gear, Motor	
20	R030885-001	Crown, Motor	
21		Canopy Replacement	See Canopy Order Form
22	R001516PBLK-xx	Lead Rail	
23	R036624-006	End Plate, Lead Rail	7
24	030796-001	Hex Key, Manual Override	7mm

- Notes:
1. XXX = Color; xxx = Length in inches.
 2. LH end plate (8) and end cap (9) is superseded. Use R001190XXX End Plate Assy (10) for replacement.
 3. RH end plate (11) and end cap (12) is superseded. Use R001191XXX End Plate Assy (13) for replacement.
 4. Glide bushing (14) used with item 11 only.
 5. Item 2 (LH Spring Arm Assy) includes items 3 and 4. Item 5 (RH Spring Arm Assy) includes items 6 and 7.
 6. For awnings 19' and longer with center arm, use RH arm (item 5) for center arm.
 7. Lead rail end plate (item 23) is universal and can be used on left or right side.