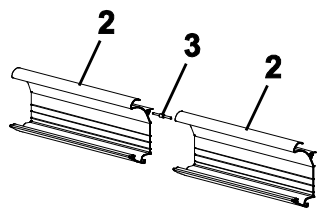
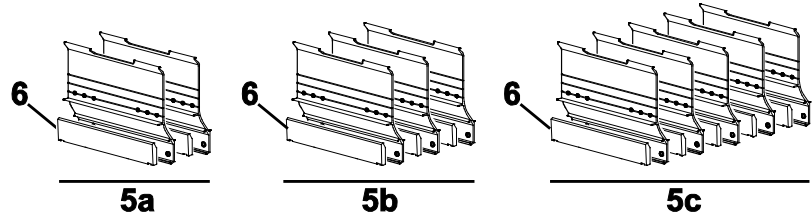
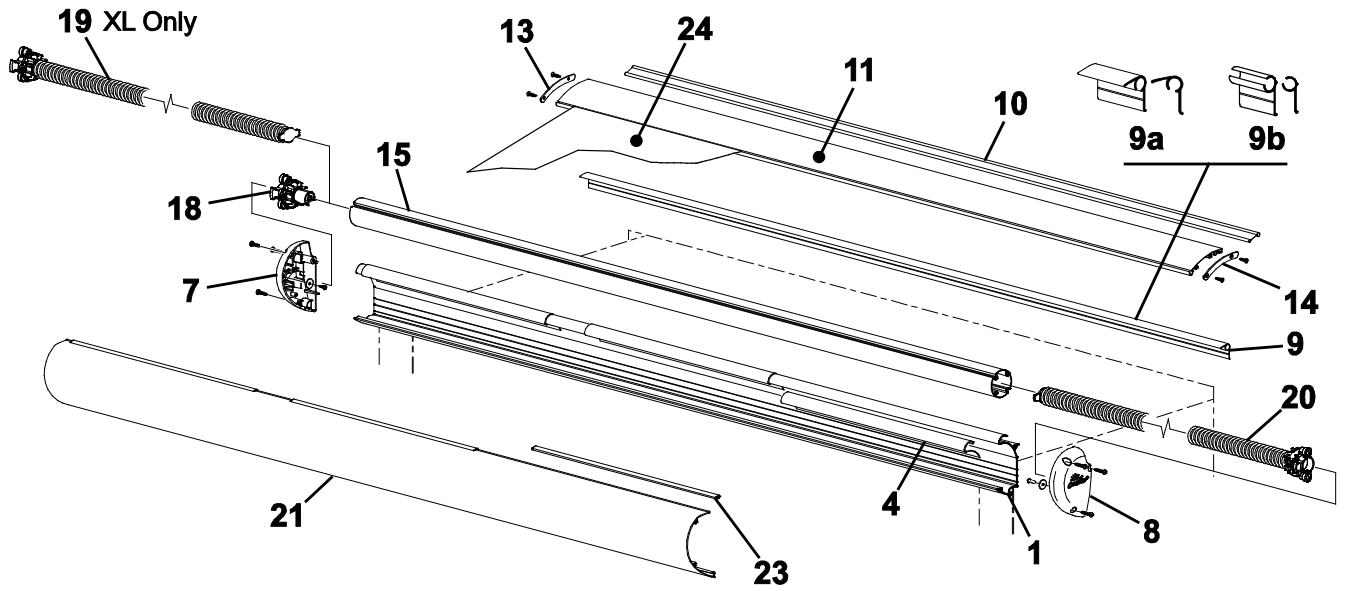
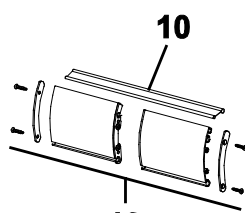


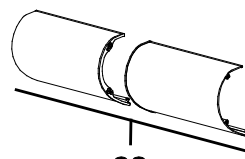
ASCENT ILLUSTRATED PARTS LIST



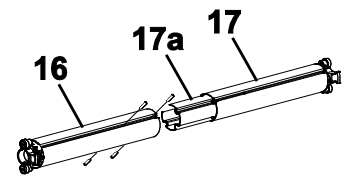
DETAIL A
XL Deflector Assy



DETAIL B
XL Slat Assy
(OEM Only)



DETAIL C
XL Cover Assy



DETAIL D
XL Roll Bar Assy

Item	Part Number	Description		Notes
1	R001564XXX-xxx	Deflector	Standard	
2	R001565XXX-xxx	Deflector, Half	XL Only	
3	R001555	Spacer, Shoulder	XL Only	
4	R001563	Deflector Glide, 24"	pkg of 1	
5a	KY5551	Bracket Kit, 2 Brackets, Deflector Mount	White	7
	KY5561	Bracket Kit, 2 Brackets, Deflector Mount	Black	7
5b	KY5552	Bracket Kit, 3 Brackets, Deflector Mount	White	7
	KY5562	Bracket Kit, 3 Brackets, Deflector Mount	Black	7
5c	KY5553	Bracket Kit, 5 Brackets, Deflector Mount	White	7
	KY5563	Bracket Kit, 5 Brackets, Deflector Mount	Black	7
5d	R001711	Mounting Shim, 7.5" x 1" x 3/16" (not shown)	pkg of 1	
6	R001151XXX	Cover, Mounting Bracket		
7	R001554WHT	End Cap, LH	White	
	R001554BLK	End Cap, LH	Black	
8	R001556WHT	End Cap, RH	White	
	R001556BLK	End Cap, RH	Black	
9a	610701xxxX	Awning Rail, Hooded, used w/ slat		
9b	610700xxxXXX	Awning Rail, Standard, used when slat not installed		
10	R001573WHT-xxx	Flex Connect	White	
	R001573BLK-xxx	Flex Connect	Black	
11	R001566XXX-xxx	Weather Slat	Standard	6,8
12	R001567XXX-xxx	Weather Slat	XL Only	2,6,8
13	R001553WHT	End Plate, Slat, LH	White	6
	R001553BLK	End Plate, Slat, LH	Black	6
14	R001558WHT	End Plate, Slat, RH	White	6
	R001558BLK	End Plate, Slat, RH	Black	6
15	R001568-xxx	Roller Tube Assy	Standard	3
16	R001569-xxx	Roller Tube Half, LH	XL	4
17	R001572-xxx	Roller Tube Half, RH	XL	5
17a	R038303-008	Splice		
18	R001559	Spindle and Bearing Assy, LH	Standard	
19	R001561	Spring Assy, LH (identified with red dot)	XL Only	
20	R001560	Spring Assy, RH (identified with green dot)		
21	R001570XXX-xxx	Cover Assy	Standard	
22	R001571XXX-xxx	Cover Assy	XL Only	2
23	R001562	Cover Glide, 24"	pkg of 2	
24		Canopy Only	Refer to Canopy Order Form	

- Notes:
1. XXX = Color; xxx = Length in inches
 2. Ascent XL components (items 12, 22) are shipped in two pieces and must be assembled during installation.
 3. Roller tube assy (item 15) is complete and includes roller tube, LH spindle assy (item 18) and pre-wound RH spring assy (item 20).
 4. XL LH roller tube assy (item 16) is complete and includes roller tube half, screws and pre-wound LH spring assy (item 19)
 5. XL RH roller tube assy (item 17) is complete and includes roller tube half, splice, screws and pre-wound RH spring assy (item 20).
 6. The slat option is offered for select OEM installations and is not available for aftermarket installations. Includes items 10, 13, 14.
 7. Bracket kits (items 5) are based on order length. Item 5a used with awnings 112" or less; item 5b used with awnings 118" – 196"; item 5c used with XL awnings 202" and longer.
 8. Slat (item 11, 12) comes with flex connect (item 10) and end plates (items 13, 14).