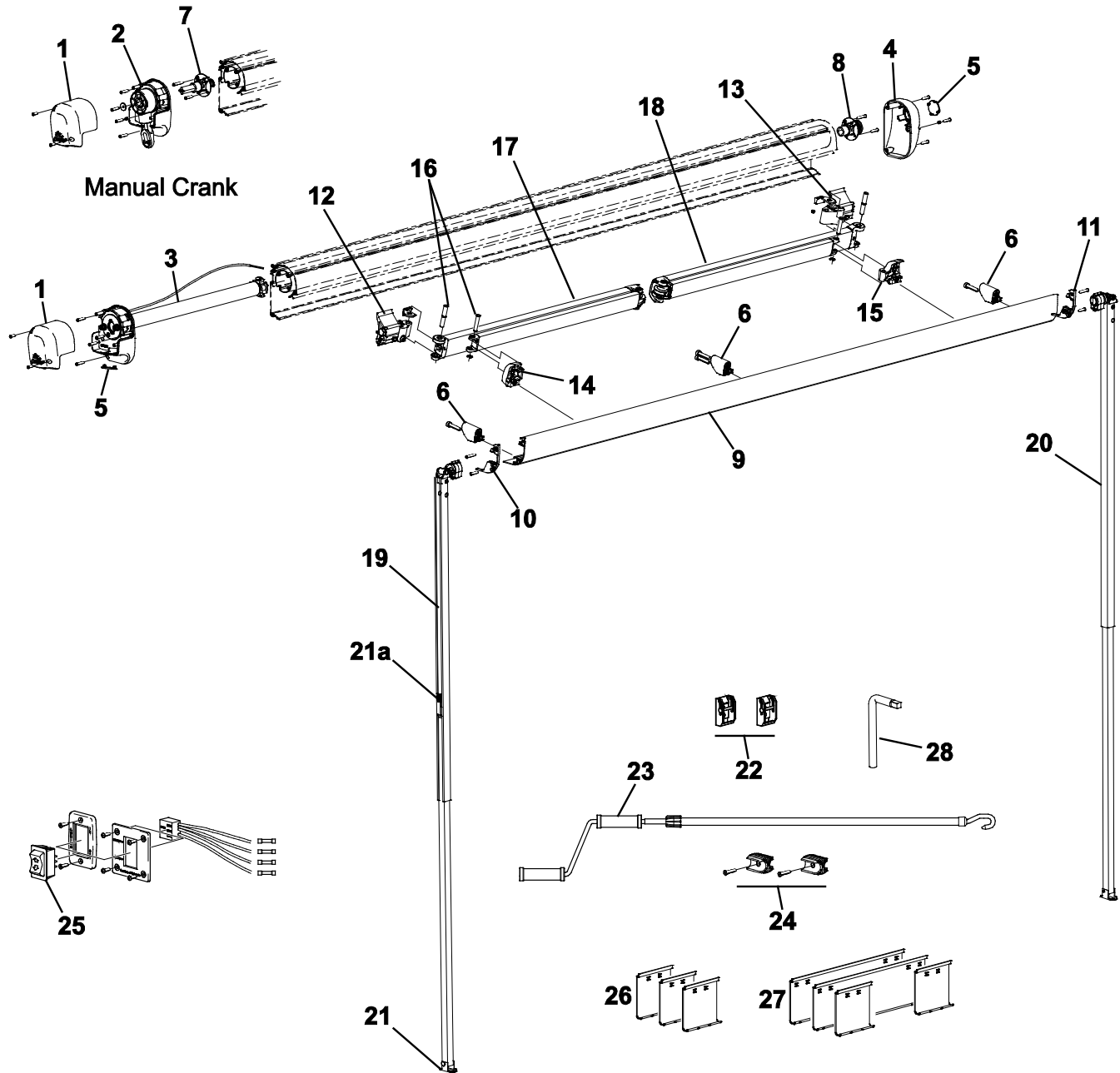


FREEDOM WM ILLUSTRATED PARTS LIST



WM501

Item	Part Number	Description	Notes
1	R001618XXX	End Cap, LH, Outer	
2	R001619XXX	Gear Assy, Manual Crank	3
3	R001637XXX	Motor Assy	4,6
4	R001620XXX	End Cap, RH	
5	R040792XXX	Plug (-005=white;-006=black; -291=satin)	
6	R001621	Ramp Kit, Leadrail	
7	R001622	Roller Tube Endplug, LH	
8	R001623	Roller Tube Endplug, RH	
9	R001695XXX-xxx	Lead Rail	1,2
10	R001624XXX	End Plate, Lead Rail, LH	
11	R001625XXX	End Plate, Lead Rail, RH	
12	R001626	Knuckle Assy, Case, LH	5
13	R001627	Knuckle Assy, Case, RH	5
14	R001628	Assy, Pivot, LH	5
15	R001629	Assy, Pivot , RH	5
16	R001630	Hardware Pack, Arm Attach, 1 Arm	
17	R012530-TB56L	Spring Arm Assy, LH	Used with 2.2 Meter 5
	R012530-TB68L	Spring Arm Assy, LH	Used with 2.44 Meter 5
	R012530-TB76L	Spring Arm Assy, LH	Used with 2.57 Meter 5
	R012530-TB94L	Spring Arm Assy, LH	Used with 3 Meter & Up 5
18	R012530-TB56R	Spring Arm Assy, RH	Used with 2.2 Meter 5
	R012530-TB68R	Spring Arm Assy, RH	Used with 2.44 Meter 5
	R012530-TB76R	Spring Arm Assy, RH	Used with 2.57 Meter 5
	R012530-TB94R	Spring Arm Assy,RH	Used with 3 Meter & Up 5
	R012530-TB94M	Spring Arm Assy, Center	Used on 4.5 and 5 meter only 5,8
19	R001654-003	Vertical Support Leg, LH	Used with 2.2 Meter 7
	R001654-001	Vertical Support Leg, 3-piece, LH	Used with 2.44 & 2.57 Meter 7
	R001654-002	Vertical Support Leg, LH	Used with 3 Meter & Up 7
20	R001654-103	Vertical Support Leg, RH	Used with 2.2 Meter 7
	R001654-101	Vertical Support Leg, 3-piece, RH	Used with 2.44 & 2.57 Meter 7
	R001654-102	Vertical Support Leg, RH	Used with 3 Meter & Up 7
21	R00394	Carport Foot	
21a	R001657	Flipper Latch Kit, Orange	
22	R019283-231	Kit, Bottom Bracket, Satin	qty: 2
	R019283-005	Kit, Bottom Bracket, White	qty: 2
	R019283-006	Kit, Bottom Bracket, Black	qty: 2
23	R001546-RP	Crank, Telescoping	
24	901072	Crank Handle Clip	qty: 2
25	R001605	Switch Kit	6
26	R019311-001	Hardware Pack,FreedomWM,2.43-4m	
27	R019311-003	Hardware Pack,FreedomWM,4.5-5m	
28	901075	Manual Override Key	

- NOTES
1. XXX = Color WHT = White; BLK = Black; GRY = Satin
 2. -xxx = awning length (2.2m, 2.44m, 2.57m, 3m, 3.5m, 4m, 4.5m, 5m)
 3. Gear Assy (item 2) includes gear and inner End Cap assembled. Parts not available separately.
 4. Motor Assy (item 3) includes motor, inner End Cap, bearing and one-way drive. Parts not available separately.
 5. Attaching hardware not included with spring arm assemblies. Order item 16.
 6. A motor upgrade kit (SR0097XXX) is available for manual crank awnings and includes motor assembly (item 3), switch kit (item 25) and attaching hardware.
 7. Original vertical support legs uses a gray flipper latch. Replacement latch kit is R00144. Kit not available if leg has orange flipper latch.
 8. The middle spring arm is different than the outer arms. Center arms can be identified by the blue dot located on or near the case connector of the arm. Do not use center arms for replacing outer arms, do not use outer arms to replace the center arm.