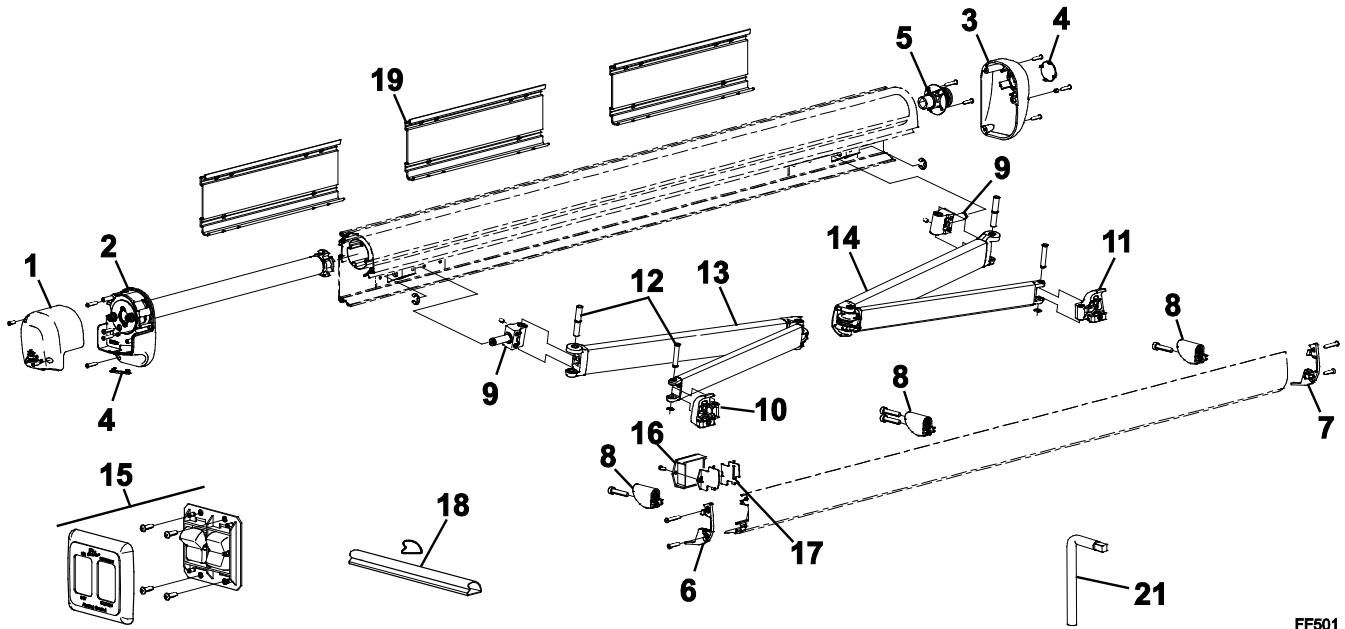


# FREESTYLE ILLUSTRATED PARTS LIST (OEM MODEL)



FF501

Item	Part Number	Description	Notes
1	R001618XXX	Endcap, LH, Outer	1
2	R001712XXX	Motor Assy, LH	1,2
3	R001620XXX	Endcap, RH	1
4	R040792-005	Plug, White	
	R040792-006	Plug, Black	
5	R001623	Roller Tube Endplug, RH	
6	R001624XXX	End Plate, Lead Rail, LH	1
7	R001625XXX	End Plate, Lead Rail, RH	1
8	R001621	Ramp Kit, Leadrail	
9	R001677	Pivot Assy, Case	3
10	R001678	Pivot Assy, Lead Rail, LH	3
11	R001680	Pivot Assy, Lead Rail, RH	3
12	R001630	Hardware Pack, Arm Attach, 1 Arm	
13	R012530-TB94L	Spring Arm Assy, LH	3
14	R012530-TB94R	Spring Arm Assy, RH	3
	R012530-TB94M	Spring Arm Assy, Center	Used on 4.5 and 5 meter only
15	R019468-006	Switch Kit	3,4,6
16	R060686-002	Sensor/Control Module	
17	R001679	Bracket Kit, Sensor	
18	R040616-006	Cable Channel, Black	
	R040616-005	Cable Channel, White	
19	019867-001	Bracket Kit, 3m-4m	5
	019867-002	Bracket Kit, 4.5m-5m	5
20	019868-001	Screw Pack, Awning Mount, 3m-4m	Not Shown
	019868-002	Screw Pack, Awning Mount, 4.5m-5m	Not Shown
21	901075	Manual Override Key	
22	R060701-001	Wire Harness	not shown

- NOTES
1. XXX = Color; WHT = White; BLK = Black; GRY = Satin
  2. Motor Assy (item 2) includes motor, inner end cap, bearing and one-way drive. Parts not available separately.
  3. Attaching hardware not included with spring arm assemblies. Order item 12.
  4. Center arm for 4.5m and 5m awnings uses pivot assembly (item 11).
  5. Bracket kit 3m-4m contains 3 brackets and screws. Bracket Kit for 4.5m-5m contains 4 brackets. Bracket kits do not include awning mounting screws; order item 20.
  6. The middle spring arm is different than the outer arms. Center arms can be identified by the blue dot located on or near the case connector of the arm. Do not use center arms for replacing outer arms, do not use outer arms to replace the center arm.