



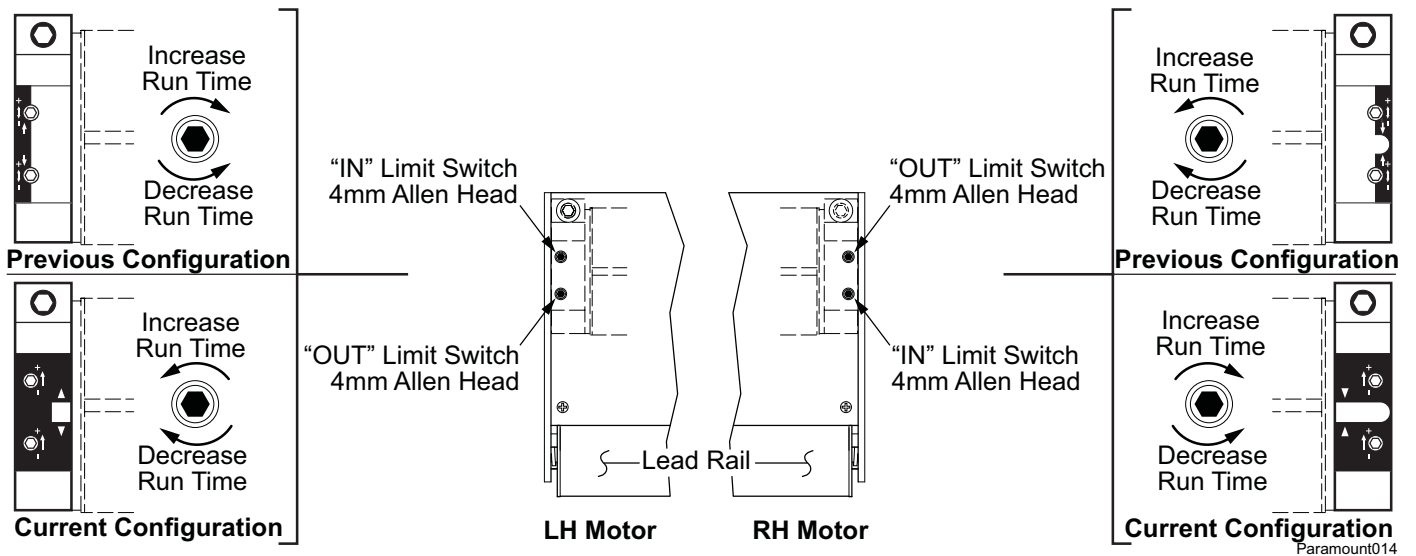
LIMIT SWITCHES FOR 110VAC MOTORS

Service

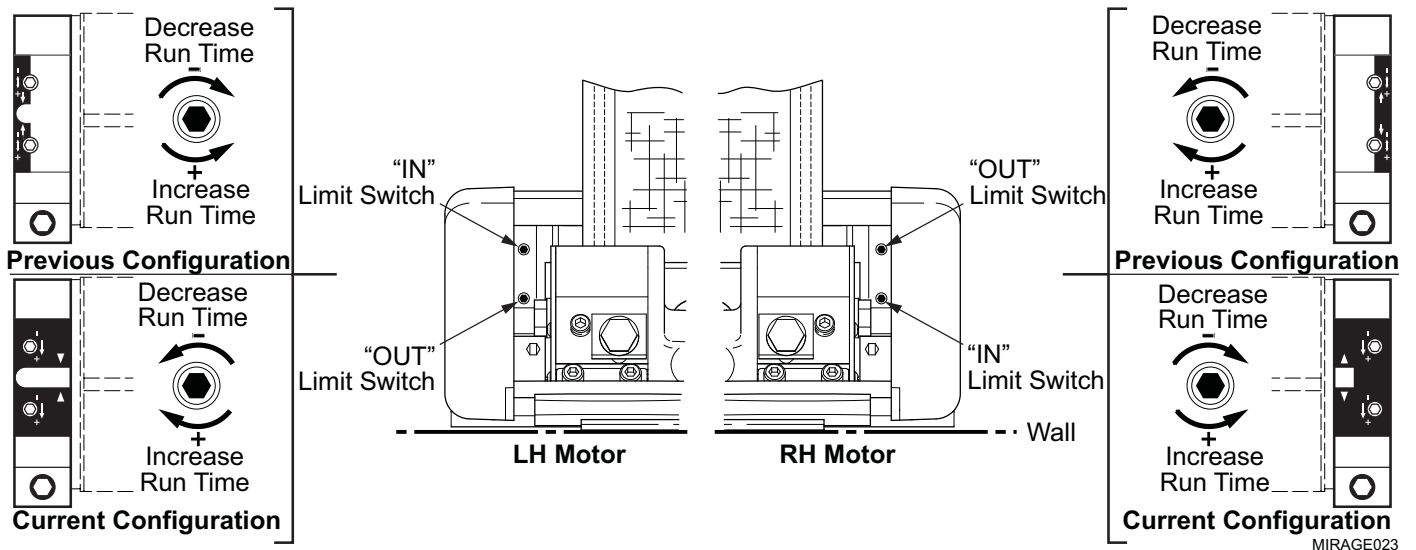
In 2013 the operation of the motor limit switches was modified. The limit switches perform the same motor adjustments as before except that the direction of adjustment rotation has been reversed.

This affects the 110Vac motors used in the Mirage, Apex, Paramount and Mirage 2-stage.

There are two (2) motor limit switch configurations. Before making adjustments, visually inspect the limit switches to determine which configuration is installed in the awning. The red bands (shown as black in the illustrations below) are narrow on previous motors. The new motors have a large red band around the adjustment switches.



View from Top – Apex, Paramount and Mirage 2-Stage



View from Bottom –Mirage

Installation and service manuals have been updated with this information.