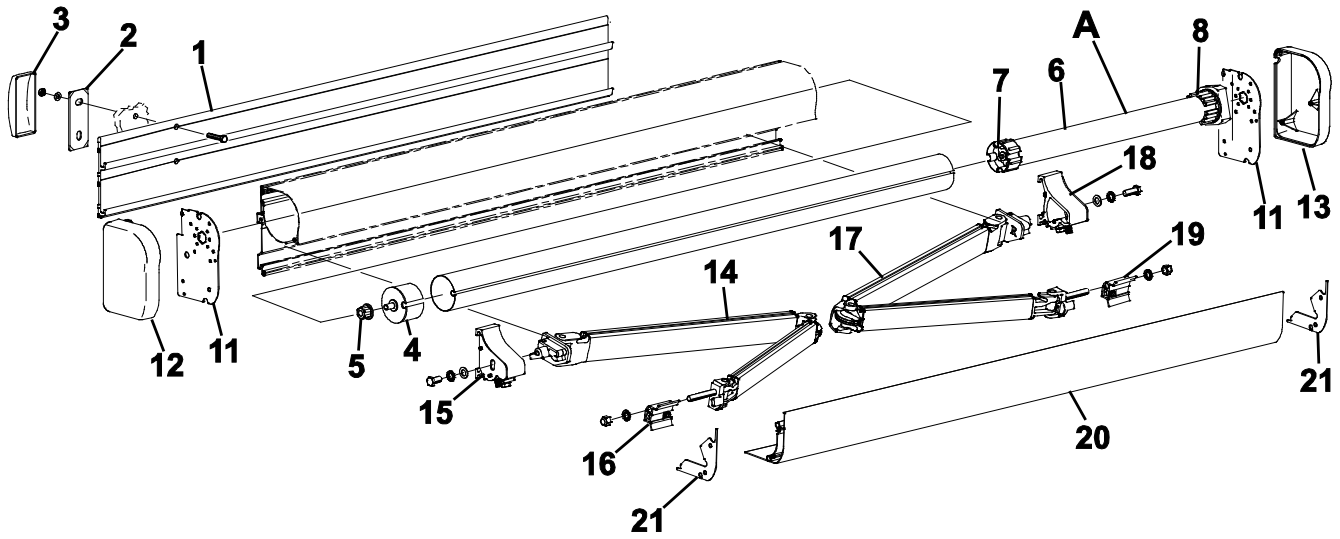
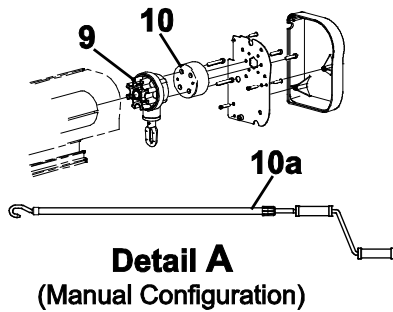
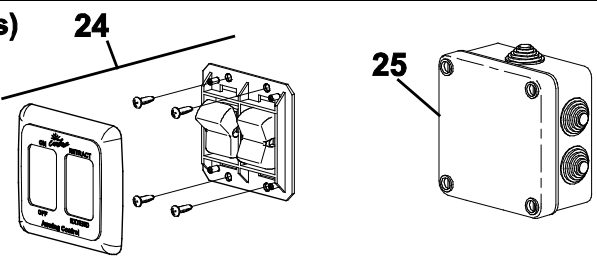


MIRAGE ILLUSTRATED PARTS LIST

For Mirage Service Procedures and Parts Availability, Contact Carefree

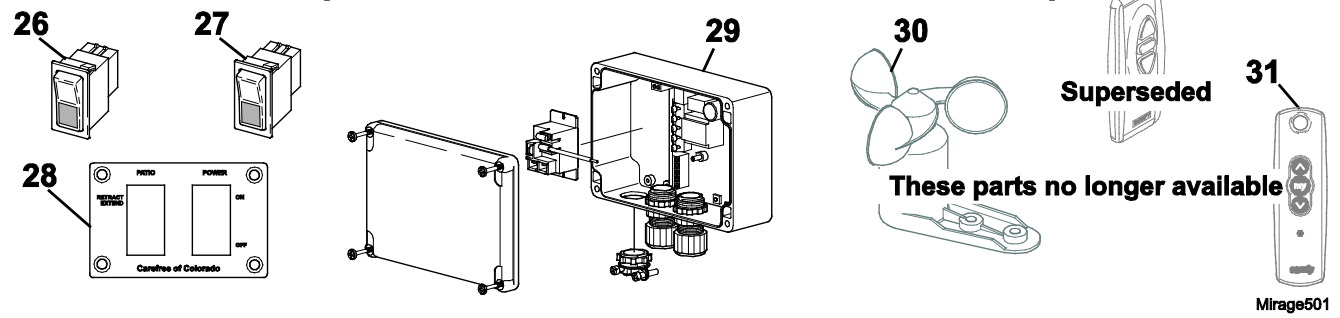


Electrical (12V Controls)



Automatic Wind Retraction Components

This System DISCONTINUED - Limited Parts Availability



*Electronic components shown are not used for the Direct Response system.
For Direct Response Electronics, Refer to "ELECTRONIC SYSTEMS AND COMPONENTS"*

Item	Part Number	Description	Notes
1	R001077SAT-xxx	Mounting Plate	
2	R036333-001	Backing Plate	
3	R040548-001	Cover, Backing Plate	
4	R001054	End Plug, Roller Tube, Left	
5	R062755-001	Glide Bushing, LH	
6	R001055	Motor Assy	6
7	R030886-001	Drive Gear, Motor	6
8	R030885-001	Crown, Motor	6
9	R062779-001	Gear Assy, Hand Crank	
10	R040551-001	Spacer	Used w/ Hand Crank
10a	R001546-RP	Crank Handle Assy	
11	R001052	End Plate, Housing	
12	R001051XXX	End Cap, Standard, LH	
13	R001056XXX	End Cap, Standard, RH	
14	R012531-XXL096	Spring Arm Assy, LH	8' extension 3, 9
	R001616XXX	Spring Arm Assy, LH	10' extension 3, 9
15	R062764-001	Knuckle, LH, Spring Arm, Mirage	3, 9
16	R019261-23L	Connector, LH, Lead Rail, Mirage	3, 9
17	R012531-XXR096	Spring Arm Assy, RH	8' extension 4
	R001617XXX	Spring Arm Assy, RH	10' extension 4
18	R062765-001	Knuckle, RH, Spring Arm, Mirage	4
19	R019261-23R	Connector, RH, Lead Rail, Mirage	4
20	R001173XXX-xxx	Lead Rail	7
21	R001053	End Plate, Lead Rail	
24	R019468-006	Switch Kit	
25	R060487-001	Relay Box	
26	R060443-004	Switch, SPST, Momentary ON	Ext/Ret
27	R060443-005	Switch, DPST	ON/OFF
28	R019633-006	Switch Plate	
29	R060452-001	Control Box	Wind Sensor
30	NLA	Anemometer	Wind Sensor 5
31	NLA	Remote Control	Wind Sensor
ITEMS NOT SHOWN			
32	R012710-001	Hardware Pack, Motorized, Aftermarket	
33	R012459-001	Hardware Pack, OEM	

- Notes:
1. XXX = Color; xxx = Length in inches.
 2. End Caps w/ Lights and Speakers have been discontinued and are no longer available.
 3. Item 14 (LH Spring Arm Assy) contains items 15 and 16 (LH Knuckle and Lead Rail Connector).
 4. Item 17 (RH Spring Arm Assy) contains items 18 and 19 (RH Knuckle and Lead Rail Connector).
 5. The anemometer is no longer available. The part is discontinued and no longer manufactured.
 6. Motor (item 6) is furnished with drive gear (item 7) and crown (item 8).
 7. If ordering lead rail (item 20) specify if awning is manual or motorized and if the gear or motor is LH or RH.
 8. Switch Kit (item 24) contains switches and bezel. Kit replaces all previous 12V switches.
 9. For awnings 19' and longer, use LH arm (item 14) for middle arm.