



NOVEMBER 23, 2011

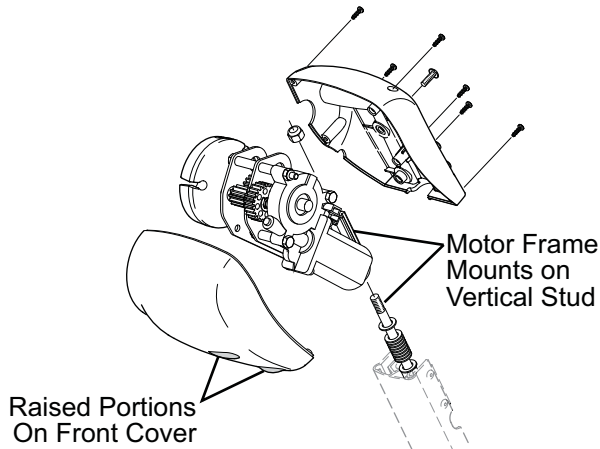
ECLIPSE & TRAVEL'R REPLACEMENT MOTORS

PLEASE FORWARD TO:

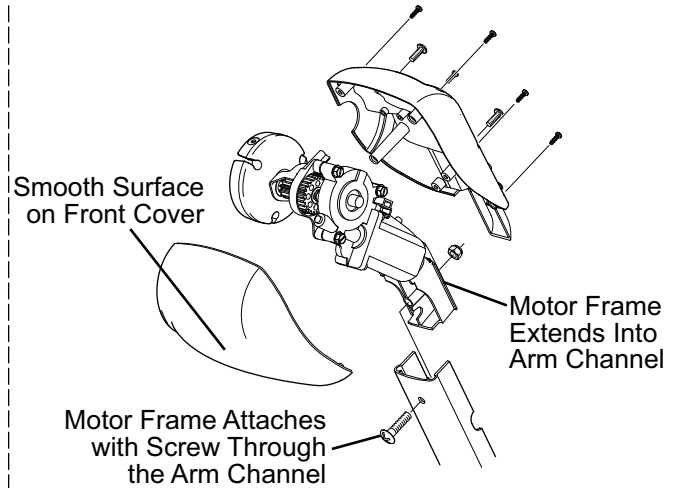
Dealer Service

SERVICE MANAGER **WARRANTY MANAGER** **PARTS MANAGER**

Below is a visual aid to differentiate motors for the Eclipse and Travel'r series awnings.



Eclipse and Series I Travel'r



Series II Travel'r

TravelR057

Part Number: R001104WHT; R001104BLK

- Used On: Eclipse & Early Models of Travel'r
- Front Cover has raised dimples
- Motor mounts on vertical stud

Part Number: R001326WHT; R001326BLK

- Used on: Current Travel'r Series
- Front Cover is smooth
- Motor mounts with screw through arm channel