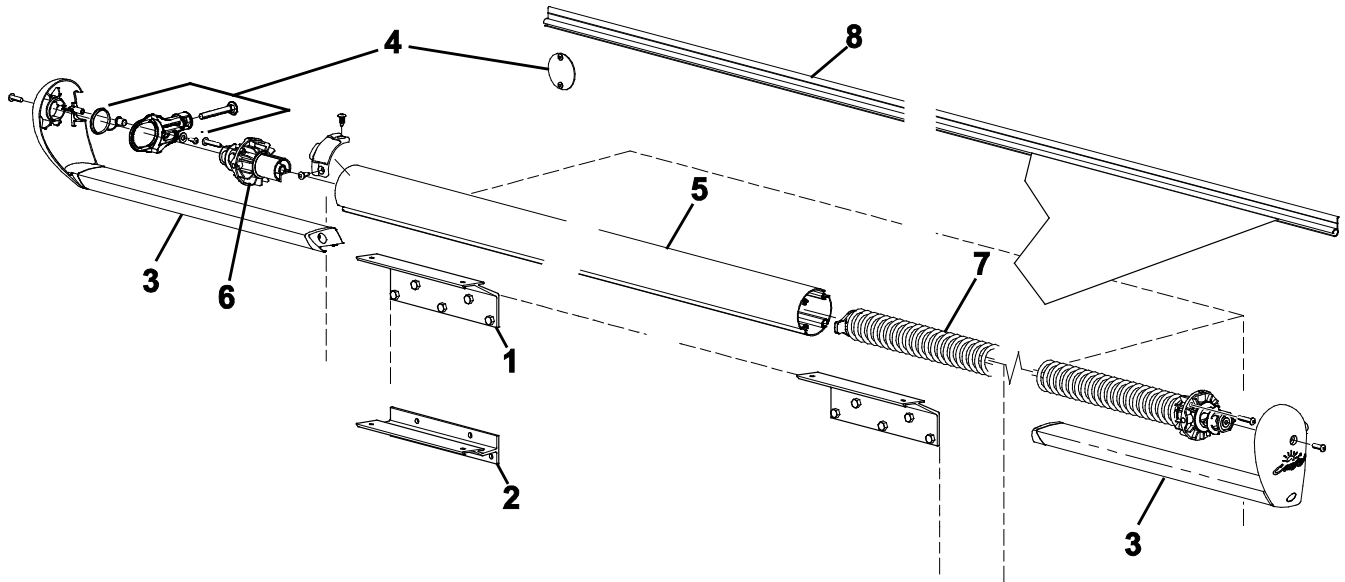


# SLIDEOUT COVER ILLUSTRATED PARTS LIST



cs501

Item	Part Number	Description	Notes
1	R012546-005	Bracket, Mounting Kit, Tall	White 2
	R012546-006	Bracket, Mounting Kit, Tall	Black 2
2	R012545-005	Bracket, Mounting Kit, Short	White 2
	R012545-006	Bracket, Mounting Kit, Short	Black 2
3	R012540-005	Endcap and Mounting Tube Assy	White 3
	R012540-006	Endcap and Mounting Tube Assy	Black 3
4	R001583	Plunger Kit	White
	R001584	Plunger Kit	Black
5	R001580-xxx	Roller Tube Assy	4
6	R001581	Spindle Assy, LH	
7	R001582	Spring Assy, RH	
8		Awning Rail	See Hardware and Accessories

- Notes:
- xxx = Length in inches
  - Items 1 & 2 contains 2 ea brackets and attaching hardware.
  - Item 3 contains 1 ea LH and RH end caps w/ mounting tubes assembled. Plunger mechanism is part of the LH endcap assembly.
  - Roller tube assy (item 5) is complete and includes roller tube, LH spindle assy (item 6) and prewound spring assy (item 7).