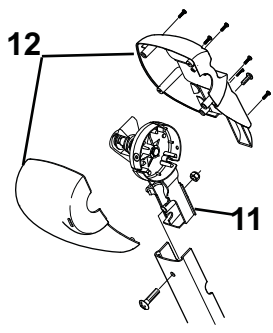
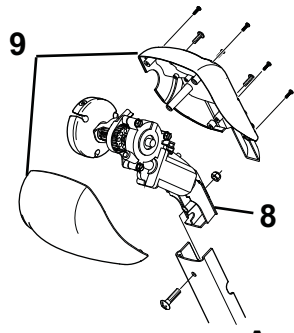


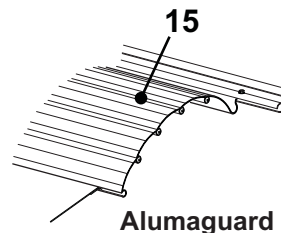
TRAVEL'R, ADJUSTABLE PITCH ILLUSTRATED PARTS LIST



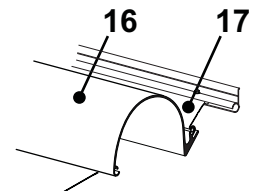
**DETAIL B
(Idler Head)**



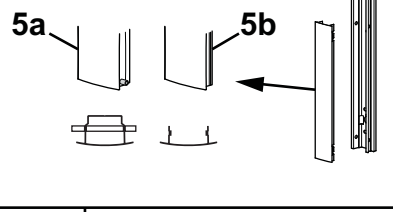
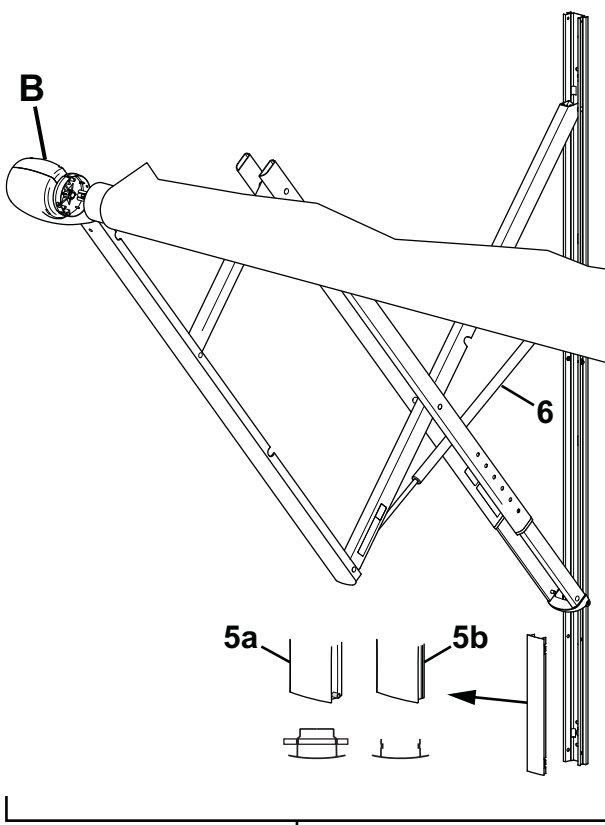
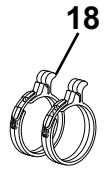
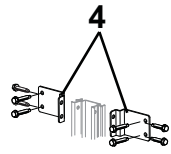
**DETAIL A
(Motor Head)**



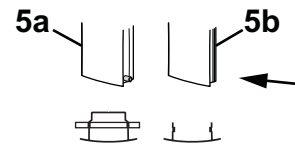
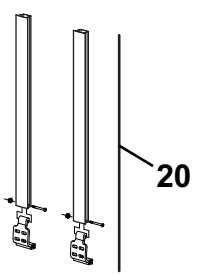
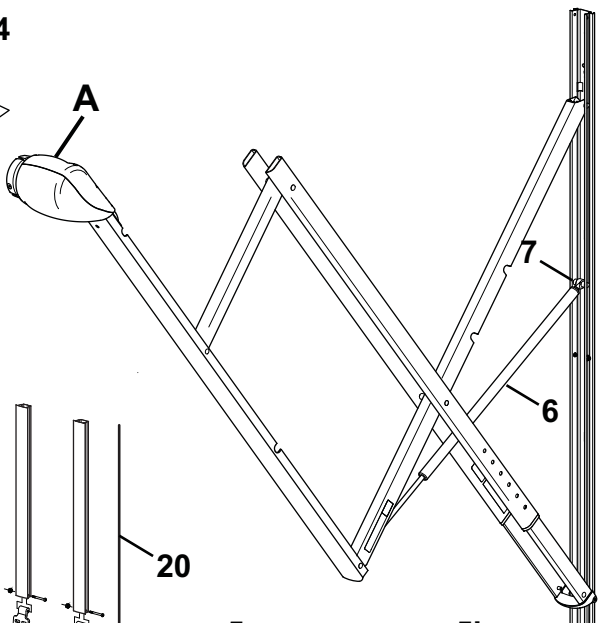
**Alumaguard
Detail C**



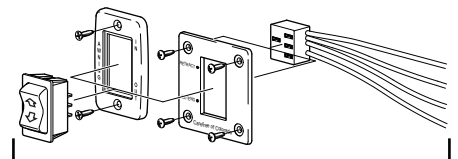
Uniguard



2



1



19

Item	Part Number	Description	Notes
1	R001642XXX	1/2 Set Hardware, Arm Assy, Motorized, RH	1
2	R001643XXX	1/2 Set Hardware, Arm Assy, Idler, LH	1
3	R001094XXX	Top Mounting Bracket	Used w/ Aftermarket Only 1
4	R019319-105	Quick Mount Bracket Kit (includes 4 brackets and hardware)	White
	R019319-106	Quick Mount Bracket Kit (includes 4 brackets and hardware)	Black
	R019320-105	Quick Mount Bracket Kit (includes 2 brackets and hardware)	White
	R019320-106	Quick Mount Bracket Kit (includes 2 brackets and hardware)	Black
5a	R019284-005	Fascia w/ external stop pin, White	pkg 2 4
	R019284-006	Fascia w/ external stop pin, Black	pkg 2 4
5b	R019874-005	Fascia w/o stop, White	pkg 2
	R019874-006	Fascia w/o stop, Black	pkg 2
6	R001252	Gas Shock	
7	R001576	Shock Hardware Kit	
8	R001326XXX	Kit, Motor Assy	1
9	R001328XXX	Kit, Motor Cover	1
10	R060414-006	Cable, Motor	
11	R001327XXX	Kit, Idler Assy	1,2
12	R001329XXX	Kit, Idler Cover	1,2
13	19xx00	Roller Tube, 4-slot	3 1/2" Dia
14		Canopy	Refer to Canopy Order Form
15	20xx36XXX	Alumaguard Assembly Only	1
16	R001246XXX-xxx	Uniguard (includes 4.25" soft connect)	1
	R001246XXX-xxxT	Uniguard (includes 5.25" soft connect)	1
17	R001247XXX-xxx	Soft Connect	4.25" Wide 1
	R001247XXX-xxxT	Soft Connect	5.25" Wide 1
18	901067	Tractioner	set of two
	R001008	O-Ring, Tractioner Retainer	pkg of 2
19	R001605	Switch Kit	3
20	R014634-025	Extension Kit	White
	<i>The following parts are not shown</i>		
21	R014492-251	Hardware Pack, w/Top Bracket	White
22	R014492-JV1	Hardware Pack, w/Top Bracket	Black
23	R019404-002	Jumper Harness Kit	10' lg
24	R001697	Replacement Roller Kit	

- Notes:
1. XXX = Color; xxx= Length in inches.
 2. Head cover kits include one front cover, one rear cover and screws.
 3. Switch kit includes switch, faceplates, screws and connector. Kit replaces all previous single switch kits.
 4. Fascia kits include two fascia plates and screws.