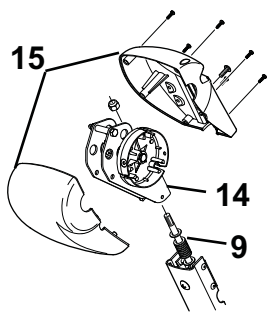
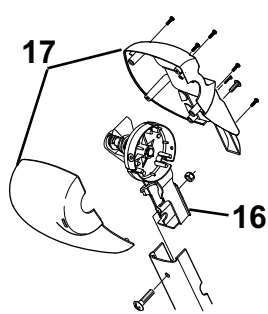


TRAVEL'R, FIXED PITCH ILLUSTRATED PARTS LIST

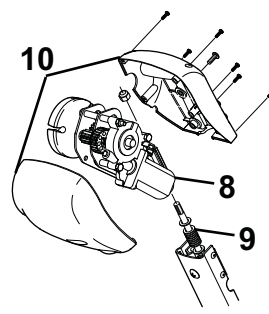


Series I

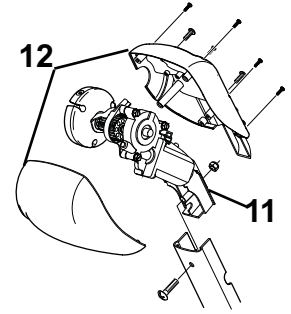


Series II

DETAIL B  
(Idler Head)

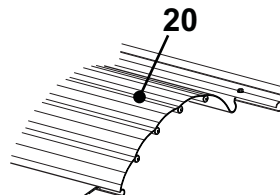
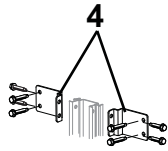
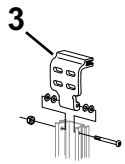


Series I

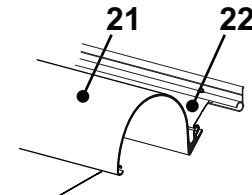


Series II

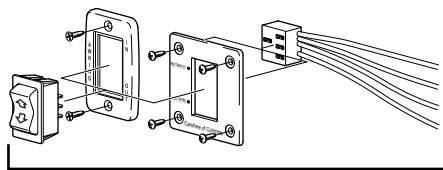
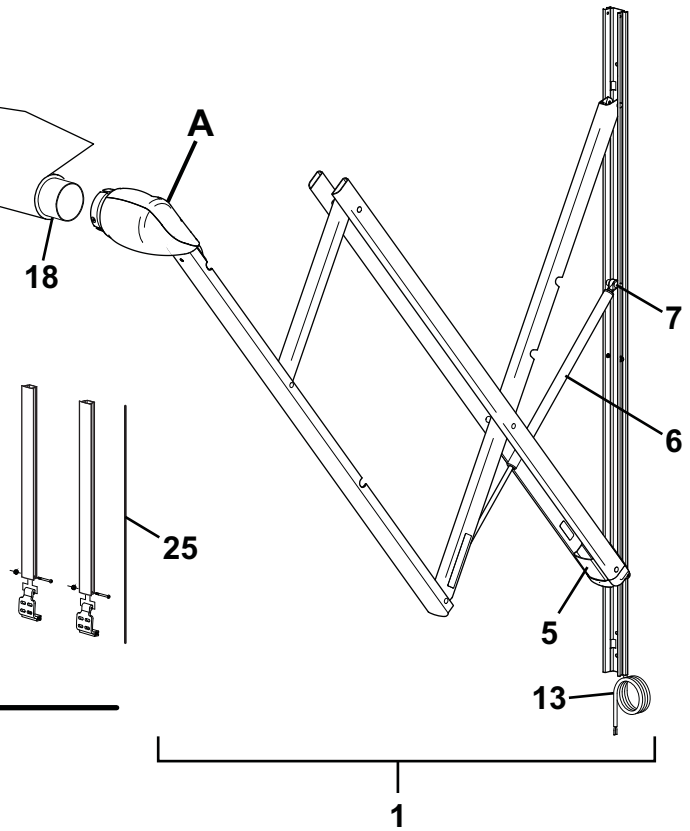
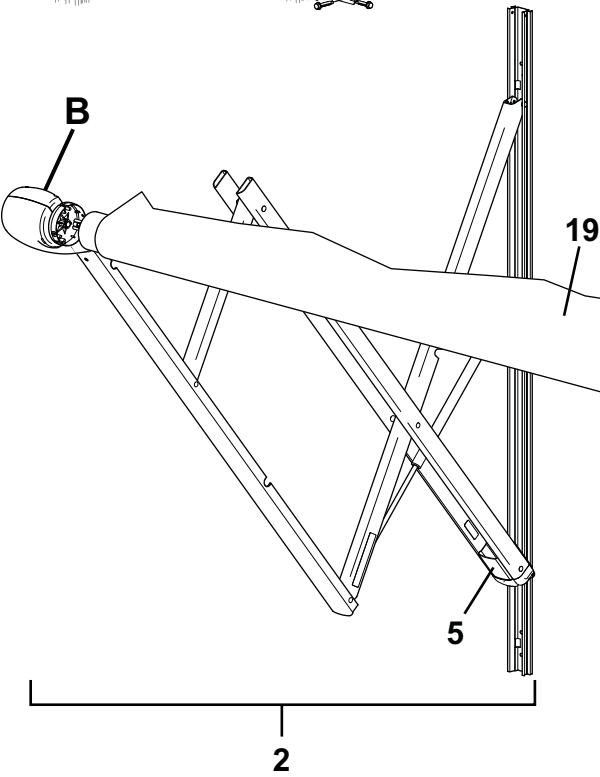
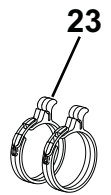
DETAIL A  
(Motor Head)



Alumaguard



Uniguard



24

Item	Part Number	Description	Notes
1	NLA R001507XXX	1/2 Set Hardware, Arm Assy, Motorized, RH	Flat Pitch 1,2,7
2	NLA R001508XXX	1/2 Set Hardware, Arm Assy, Motorized, RH	Steep Pitch 1,2
3	NLA R001094XXX	1/2 Set Hardware, Arm Assy, Idler, LH	Flat Pitch 1,2,7
4	R001508XXX	1/2 Set Hardware, Arm Assy, Idler, LH	Steep Pitch 1,2
5	R001094XXX	Top Mounting Bracket	Used w/ Aftermarket Only 1
6	R019319-105	Quick Mount Bracket Kit (includes 4 brackets and hardware)	White
7	R019319-106	Quick Mount Bracket Kit (includes 4 brackets and hardware)	Black
8	R019320-105	Quick Mount Bracket Kit (includes 2 brackets and hardware)	White
9	R019320-106	Quick Mount Bracket Kit (includes 2 brackets and hardware)	Black
10	R001532XXX	Fascia, 11", Flat Pitch	qty: 1 1,3
11	R001740XXX	Fascia, 3", Steep Pitch	qty: 2 1
12	R001252	Gas Shock, 42.5" extended length (clevis to clevis)	Flat Pitch
13	R001331	Gas Shock, 37" extended length (clevis to clevis)	Steep Pitch
14	R001576	Shock Hardware Kit	
15	R001104XXX	Motor Assy	Series I 1,8
16	R001323	Kit, Head Attach Hardware	Series I 1,8
17	R001324XXX	Kit, Motor Cover	Series I 1,4,8
18	R001326XXX	Kit, Motor Assy	Series II 1,5,8
19	R001328XXX	Kit, Motor Cover	Series II 1,4,8
20	R060414-006	Cable, Motor	
21	R001107XXX	Idler Assy	Series I 1,8
22	R001325XXX	Kit, Idler Cover	Series I 1,4,8
23	R001327XXX	Kit, Idler Assy	Series II 1,5,8
24	R001329XXX	Kit, Idler Cover	Series II 1,4,8
25	19xx00	Roller Tube,4-slot	3 1/2" Dia
26	Canopy	Refer to Canopy Order Form	
27	20xx36XXX	Alumaguard Assembly Only	1
28	R001246XXX-xxx	Uniguard (includes 4.25" soft connect)	1
29	R001246XXX-xxxT	Uniguard (includes 5.25" soft connect)	1
30	R001247XXX-xxx	Soft Connect	4.25" Wide 1
31	R001247XXX-xxxT	Soft Connect	5.25" Wide
32	901067	Tractioner	set of two
33	R001008	O-Ring, Tractioner Retainer	pkg of 2
34	R001605	Kit Single Switch	6
35	R014634-025	Extension Kit, White	
<i>The following parts are not shown</i>			
36	R014492-251	Hardware Pack, w/ Top Bracket	White
37	R014492-JV1	Hardware Pack, w/ Top Bracket	Black
38	R019404-002	Jumper Harness Kit	10' lg
39	R001697	Replacement Roller Kit	

- Notes:
1. XXX = Color; xx = Length in inches. WHT=White; BLK=Black
  2. Arm assemblies are configuration specific and cannot be interchanged. When ordering, provide the following information: part number, serial number, flat/steep pitch.
  3. Fascia kit includes one fascia and screws.
  4. Head cover kits include one front cover, one rear cover and screws.
  5. Series II replacement motor and idler assemblies includes screw and nut.
  6. Switch kit includes switch, faceplates, screws and connector. Kit replaces all previous single switch kits.
  7. The Fixed Flat Pitch Travel'r has been discontinued. For replacement arm options, contact Carefree Customer Service.
  8. To distinguish which motor configuration is installed on the awning, look at the motor head. The Series I has two protruding bumps in the front cover. There are also two exposed rivets on each side of the arm channel. The cover for the Series II is smooth and there are no rivets

